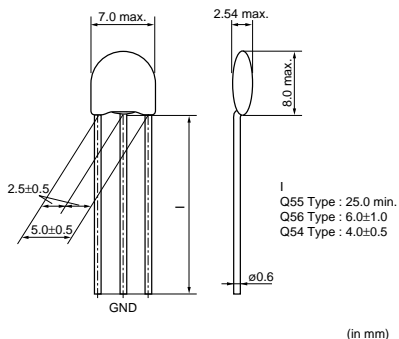


Lead EMIFIL® Capacitor Type for General Small Type

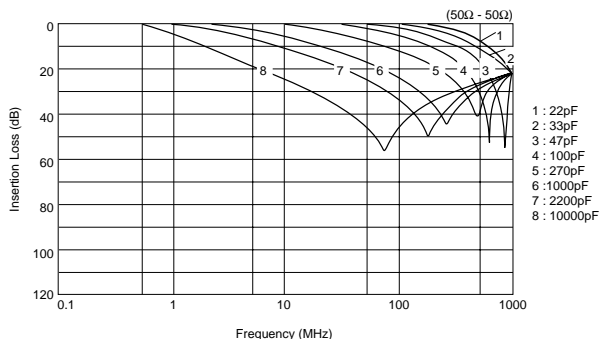
DSN6/DSS6 Series

DSN6 Series

Dimension



IL of Main Items

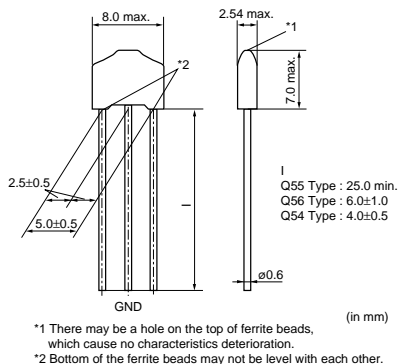


Rated Value (□: lead type/packaging code)

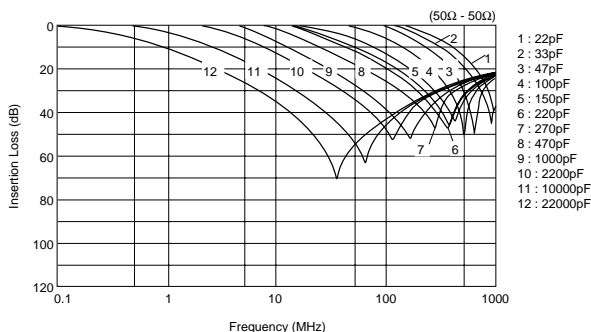
Part Number	Capacitance	Rated Current	Rated Voltage	Operating Temperature Range
DSN6NC51H220□	22pF+20%-20%	6A	50Vdc	-25°C to +85°C
DSN6NC51H330□	33pF+20%-20%	6A	50Vdc	-25°C to +85°C
DSN6NC51H470□	47pF+20%-20%	6A	50Vdc	-25°C to +85°C
DSN6NC51H101□	100pF+20%-20%	6A	50Vdc	-25°C to +85°C
DSN6NC51H271□	270pF+20%-20%	6A	50Vdc	-25°C to +85°C
DSN6NC51H102□	1000pF+20%-20%	6A	50Vdc	-25°C to +85°C
DSN6NC51H222□	2200pF+20%-20%	6A	50Vdc	-25°C to +85°C
DSN6NZ81H103□	10000pF+80%-20%	6A	50Vdc	-25°C to +85°C

DSS6 Series Straight Type

Dimension



IL of Main Items




Continued on the following page.

● This data sheet is applied for Lead EMIFIL® Capacitor Type used for General Electronics equipment for your design.

Note:

1. This datasheet is downloaded from the website of Murata Manufacturing co., Ltd. Therefore, it's specifications are subject to change or our products in it may be discontinued without advance notice. Please check with our sales representatives or product engineers before ordering.
2. This datasheet has only typical specifications because there is no space for detailed specifications. Therefore, please approve our product specifications or transact the approval sheet for product specifications before ordering.

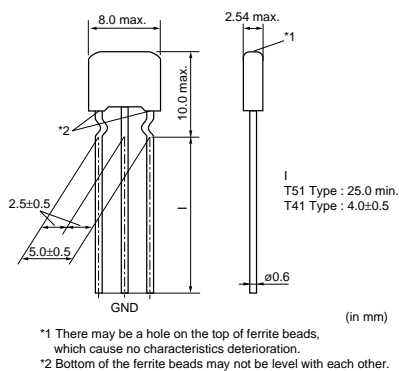
 Continued from the preceding page.

Rated Value (□: lead type/package code)

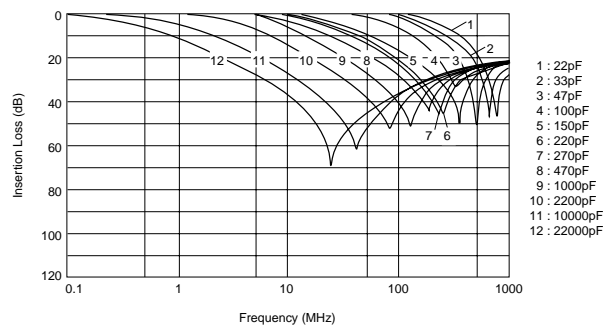
Part Number	Capacitance	Rated Current	Rated Voltage	Operating Temperature Range
DSS6NC52A220□	22pF+20%-20%	6A	100Vdc	-25°C to +85°C
DSS6NC52A330□	33pF+20%-20%	6A	100Vdc	-25°C to +85°C
DSS6NC52A470□	47pF+20%-20%	6A	100Vdc	-25°C to +85°C
DSS6NC52A101□	100pF+20%-20%	6A	100Vdc	-25°C to +85°C
DSS6NC52A151□	150pF+20%-20%	6A	100Vdc	-25°C to +85°C
DSS6NC52A221□	220pF+20%-20%	6A </td <td>100Vdc</td> <td>-25°C to +85°C</td>	100Vdc	-25°C to +85°C
DSS6NC52A271□	270pF+20%-20%	6A	100Vdc	-25°C to +85°C
DSS6NC52A471□	470pF+20%-20%	6A	100Vdc	-25°C to +85°C
DSS6NC52A102□	1000pF+20%-20%	6A	100Vdc	-25°C to +85°C
DSS6NE52A222□	2200pF+80%-20%	6A	100Vdc	-25°C to +85°C
DSS6NZ82A103□	10000pF+30%-30%	6A	100Vdc	-25°C to +85°C
DSS6NF31C223□	22000pF+80%-20%	6A	16Vdc	-25°C to +85°C

DSS6 Series Incrimp Type

Dimension




IL of Main Items



Rated Value (□: lead type/package code)

Part Number	Capacitance	Rated Current	Rated Voltage	Operating Temperature Range
DSS6NC52A220□	22pF+20%-20%	6A	100Vdc	-25°C to +85°C
DSS6NC52A330□	33pF+20%-20%	6A	100Vdc	-25°C to +85°C
DSS6NC52A470□	47pF+20%-20%	6A	100Vdc	-25°C to +85°C
DSS6NC52A101□	100pF+20%-20%	6A	100Vdc	-25°C to +85°C
DSS6NC52A151□	150pF+20%-20%	6A	100Vdc	-25°C to +85°C
DSS6NC52A221□	220pF+20%-20%	6A	100Vdc	-25°C to +85°C
DSS6NC52A271□	270pF+20%-20%	6A	100Vdc	-25°C to +85°C
DSS6NC52A471□	470pF+20%-20%	6A	100Vdc	-25°C to +85°C
DSS6NC52A102□	1000pF+20%-20%	6A	100Vdc	-25°C to +85°C
DSS6NE52A222□	2200pF+80%-20%	6A	100Vdc	-25°C to +85°C
DSS6NZ82A103□	10000pF+30%-30%	6A	100Vdc	-25°C to +85°C

Continued on the following page. 

● This data sheet is applied for Lead EMIFIL® Capacitor Type used for General Electronics equipment for your design.

Note:


- This datasheet is downloaded from the website of Murata Manufacturing Co., Ltd. Therefore, its specifications are subject to change or our products in it may be discontinued without advance notice. Please check with our sales representatives or product engineers before ordering.
- This datasheet has only typical specifications because there is no space for detailed specifications. Therefore, please approve our product specifications or transact the approval sheet for product specifications before ordering.

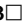


Murata Manufacturing Co., Ltd.

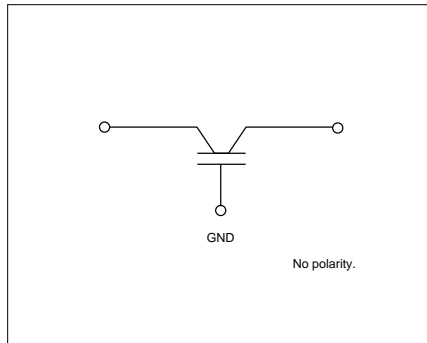
<http://www.murata.com/>

2006.1.13

 Continued from the preceding page.


Part Number	Capacitance	Rated Current	Rated Voltage	Operating Temperature Range
DSS6NF31C223 	22000pF+80%-20%	6A	16Vdc	-25°C to +85°C

■ Equivalent circuit




■ Packaging

● Minimum Quantity

Part Number	Minimum Order Quantity (order in sets only) (Pcs.)		
	Ammo Pack	ø320mm Paper reel	Bulk (Bag)
DS  6 Series	2000	—	250 Q55/T51 500 Q54/Q56/T41

● Lead Type/Packaging

Code	Lead Type	Lead Length* (in mm)	Packaging	Series
Q55B	Straight	25.0 min.	Bulk	All series
Q50B		4.0±0.5		DST9N/H
Q52B		6.0±1.0		DST9N
Q54B		4.0±0.5		DSN6/9, DSS6/9
Q56B		6.0±1.0		
T41B		Incrimp		4.0±0.5
T51B	25.0 min.			
Q91J	Straight	20.0±1.0	Paper Reel (ø320mm)	DSS9N/H
Q92J		16.5±1.0		
Q93J		18.5±1.0		
Q91A		20.0±1.0	Ammo Pack	DS  6, DSN9N/H
Q92A		16.5±1.0		
Q93A		18.5±1.0		
U21A	Incrimp	16.5±1.0	DSS6N	
U31A		18.5±1.0		

*Lead Distance between Reference and Bottom Planes except Bulk.

■ ⚠ Caution (Rating)

Do not use products beyond the rated current and rated voltage as this may create excessive heat and deteriorate the insulation resistance.

● This data sheet is applied for Lead EMIFIL® Capacitor Type used for General Electronics equipment for your design.

⚠ Note:

1. This datasheet is downloaded from the website of Murata Manufacturing Co., Ltd. Therefore, its specifications are subject to change or our products in it may be discontinued without advance notice. Please check with our sales representatives or product engineers before ordering.
2. This datasheet has only typical specifications because there is no space for detailed specifications. Therefore, please approve our product specifications or transact the approval sheet for product specifications before ordering.