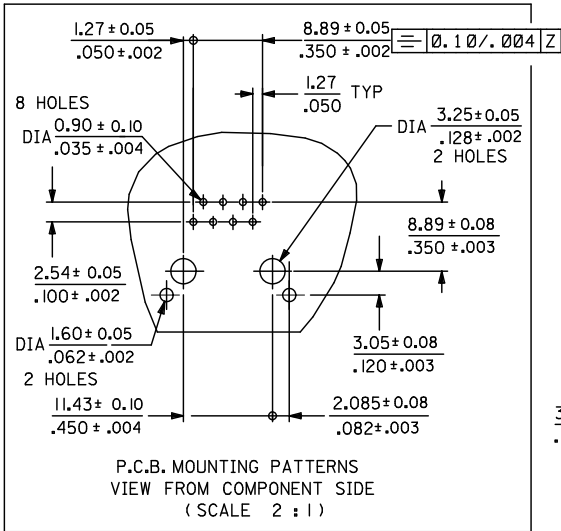


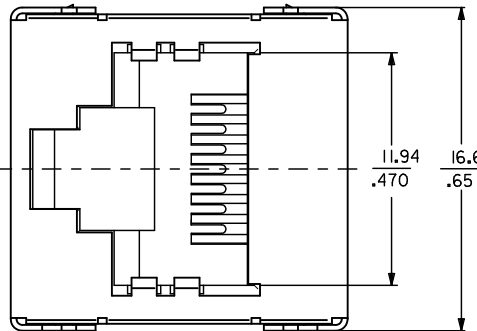
TECHNICAL SPECIFICATIONS:

1- MATERIAL: HOUSING: LCP G.F. UL94V0
 COLOR : BLACK
 TERMINAL : PHOSPHOR BRONZE PLATED WITH
 0.00127-0.00152/.000050-.000060 GOLD
 IN CONTACT AREA , 0.00190/.000075 MIN
 PURE TIN IN TAIL AREA BOTH OVER
 0.00127/.000050 MIN NICKEL OVERALL
 SHIELD : BRASS PLATED WITH 0.0020/.000078
 MIN TIN

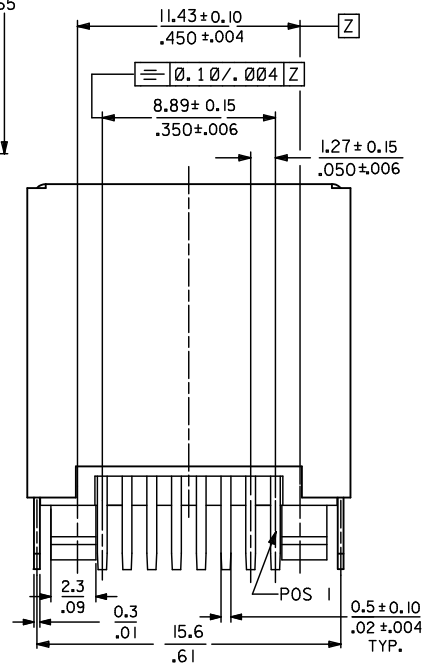
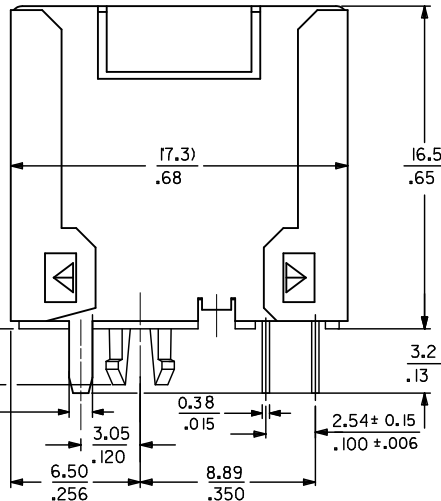


NOTES :

- 1- JACK FOR MATING WITH F.C.C. 68 PLUGS 95043 MOLEX SERIES.
- 2- PRODUCT SPECIFICATION: MOLEX PS-85508-001.
- 3- APPLICATION SPECIFICATION: AS-85513-001
- 4- PACKAGING SPECIFICATION: MOLEX PK-95123.
- 5- EXCEEDS CATEGORY 5E PERFORMANCE.



PART NUMBER	TOOLED	PCB THICKNESS
85508-5001	YES	1.57/.062



CHANGED TITLE		QUALITY SYMBOLS	GENERAL TOLERANCES (UNLESS SPECIFIED)		DIMENSION STYLE		SCALE	DESIGN UNITS	THIRD ANGLE PROJECTION
EC NO:	DATE		mm	INCH	MM ONLY	DATE	5:1	METRIC	☉
EZ2010-0430	2010/06/28	▽=0 ▽=0	4 PLACES ± --- ± ---	DRAWN BY	DATE	CAT 5E MODULAR JACK TOP ENTRY 8 CKTS THROUGH HOLE VERSION MOLEX INCORPORATED			
DRWN:DBYRNES	2010/07/15		3 PLACES ± --- ± .010	CHECKED BY	DATE				
CHKD:			2 PLACES ± 0.25 ± .014	EOMAHONY	2006/11/16				
APPR:EFOLAN	2010/08/19		1 PLACE ± 0.35 ± ---	APPROVED BY	DATE				
			ANGULAR ± 2 °	FSMITH	2010/04/09				
DRAFT WHERE APPLICABLE MUST REMAIN WITHIN DIMENSIONS			MATERIAL NO. 85508-5001		DOCUMENT NO. SD-85508-501				SHEET NO. 1 OF 1