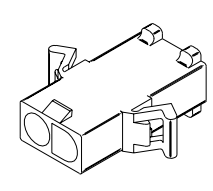
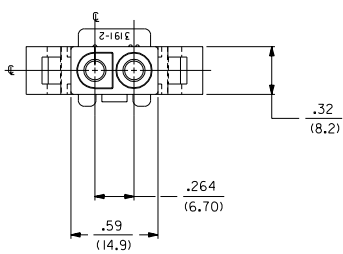
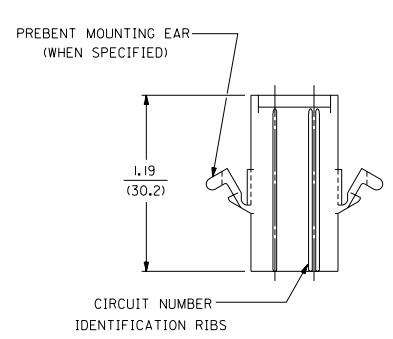
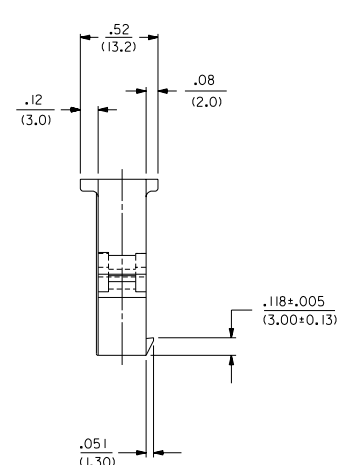
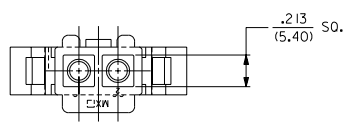


13 12 11 10 9 8 7 6 3191 4 3 2 1



PLUG

E4	REVISED	UICR 1958-0148	
E3	ADD RAMP DIM'S	ECN #14 02/93	
E2	Y-REMOVE	ECR U3 0001	RW
E1	REL. RED. VERSIONS	ECR U11 2167	RW
E	REV. MATL CODE	ECR # 190991	RW
D	REV. & REDRAWN	ECR UB 1858	RW
C		GEP 11-21-88	RW
B			
A			

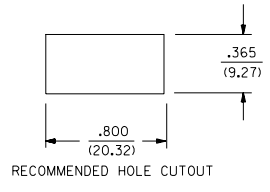
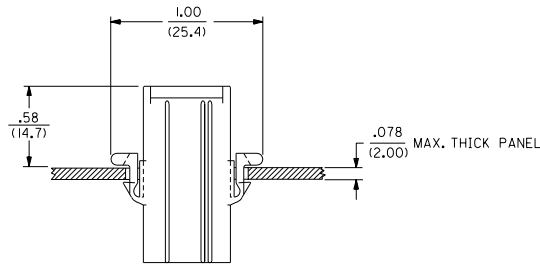
DIMENSIONS SHOWN IN METRIC INCH		REVISIONS ONLY ON CAD SYSTEM	
TOLERANCES: DECIMAL: .010 .015 .025 .035 .050 .075 .100 .150 .200 .300 .500 .750 1.000 1.500 2.000 3.000 5.000 7.500 10.000		TITLE: .093/(2.36) HOUSING, PLUG AND RECEPTACLE, 2 CKT., .264/(6.70) CTRS.	
DRAFT WHERE APPLICABLE MUST REMAIN WITHIN DIMENSIONS		MOLDEX INCORPORATED	
PART NO. SD-3191-2		SHEET NO. 1 OF 3	
DATE 11/21/88		DATE 11/21/88	
DRAWN BY RAS		DRAWN BY RAS	
CHECKED BY GEP		CHECKED BY GEP	
APPROVED BY RAS		APPROVED BY RAS	
SCALE 2 : 1		SCALE 2 : 1	
FILE NAME 5319121		FILE NAME 5319121	
NO. OF SHEETS 3		NO. OF SHEETS 3	
NO. OF THIS SHEET 1		NO. OF THIS SHEET 1	
NO. OF THIS SHEET 1		NO. OF THIS SHEET 1	

13 12 11 10 9 8 7 6 5 4 3 2 1

13 12 11 10 9 8 7 6 3191 4 3 2 1

PLUG		RECEPTACLE	
PART NO.	ENG. NO.	PART NO.	ENG. NO.
19-09-2028	3191-2P	19-09-1029	3191-2R1
19-09-2029	3191-2P1	19-09-1026	3191-2R1-201
19-09-2027	3191-2P-201	19-09-1020	3191-2R1RD
19-09-2026	3191-2P1-201	19-09-1021	3191-2R1BU
19-09-2020	3191-2P1RD		
19-09-2021	3191-2P1BU		

LEGEND:
 3191-2****-
 CIRCUIT SIZE
 P = PLUG
 R = RECEPTACLE
 EARS: BLANK = WITH PREBENT EARS (PLUG ONLY)
 I = WITHOUT EARS



COLOR: BLANK = NATURAL COLOR
 AM=AMBER BK=BLACK BU=BLUE
 BN=BROWN GY=GRAY GN=GREEN
 OR=ORANGE RD=RED YW=YELLOW

MATERIAL: BLANK=NYLON TYPE 6/6, 94V-2
 201=NYLON TYPE 6/6, 94V-0

NOTES:
 1. THESE HOUSINGS FOR USE WITH MOLEX .093/(2.36) DIAMETER SERIES TERMINALS.

		DIMENSIONS SHOWN IN METRIC INCH		TOLERANCES: ANGULAR & DIA TO		REVISIONS ONLY ON CAD SYSTEM	
		INCH METRIC		3 PLACES ± .010 ---		TITLE .093/(2.36) HOUSINGS PLUG AND RECEPTACLE 2 CKT., 264/(6.70) CTRS.	
		2 PLACES ± .014 ± 0.25		1 PLACE --- ± 0.35		MOLEX INCORPORATED U.S.A. SHEET NO. 3 DATE 11/21/88	
		DRAFT WHERE APPLICABLE MUST REMAIN WITHIN DIMENSIONS		PART NO. SD-3191-2		DRAWING NO. SD-3191-2	
		DRWG. BY GEP		CHK'D. BY RW		FILE NAME 531912X3	
		APP'D. BY RAS		SCALE ---:--		NO DRAWING CONTAINING INFORMATION SHALL BE REPRODUCED TO MOLEX INC. AND SHOULD NOT BE USED WITHOUT WRITTEN PERMISSION. CP IC	
LTR. REVISIONS		LTR. REVISIONS		NO P.S.			

13 12 11 10 9 8 7 6 5 4 3 2 1