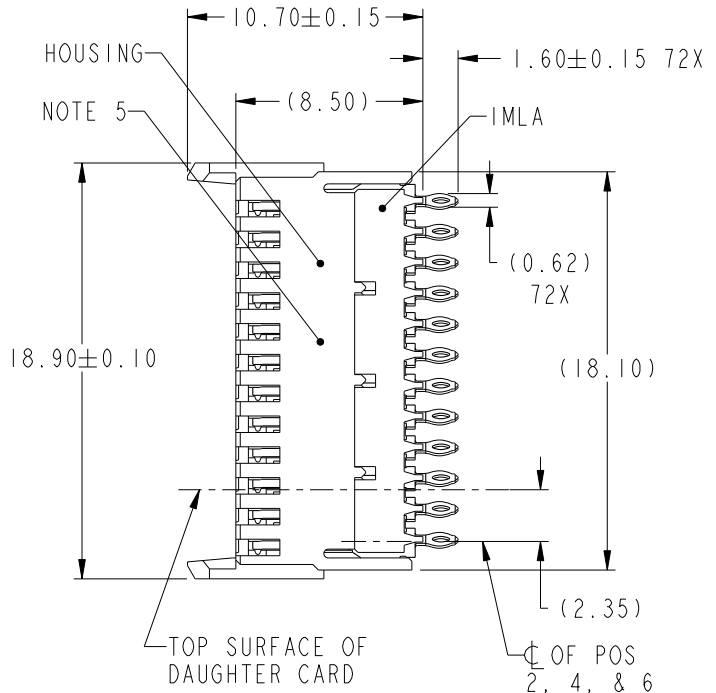
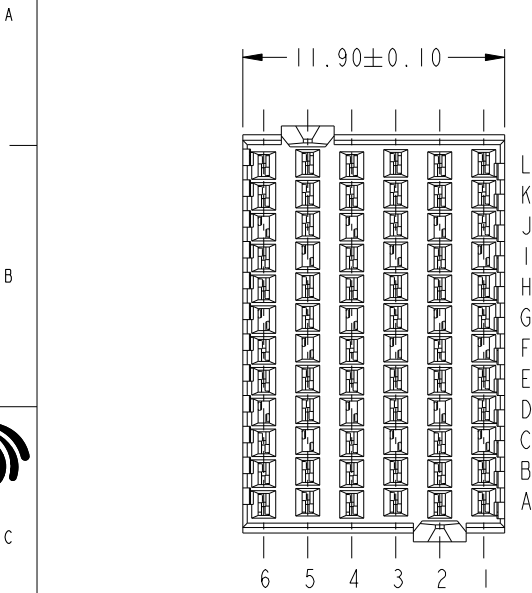


PRODUCT NUMBER
SEE TABLE, SHT 4



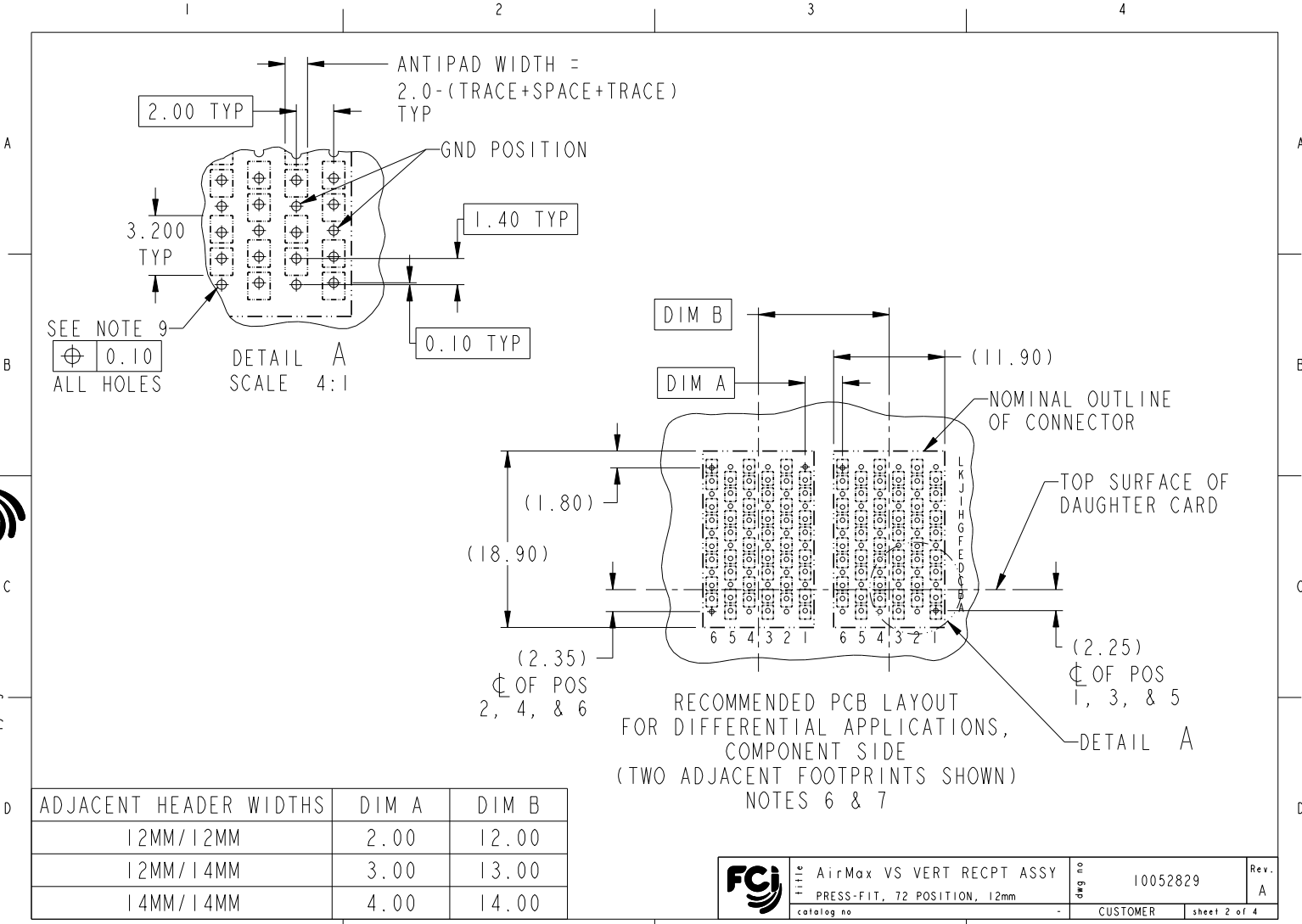
Copyright FCI.

www.fciconnect.com		surface	tolerance std	projection	MM
		ASME Y14.5	ASME Y14.5		Scale
		TOLERANCES UNLESS OTHERWISE SPECIFIED		size A4	4:1
rev	ecn no	dr	date	ANGULAR	LINEAR
A	S07-0103	LS	2007-04-05	0.x ±	0.xx ±
-	-	-	-	0.xxx ±	ECN
-	-	-	-	Product family AirMax VS Spec ref	
FCI		AirMax VS VERT RECPT ASSY		part no	10052829
		PRESS-FIT, 72 POSITION, 12mm		Rev.	A
catalog no		CUSTOMER		sheet 1 of 4	

REV F - 2006-04-17



Copyright FCJ.

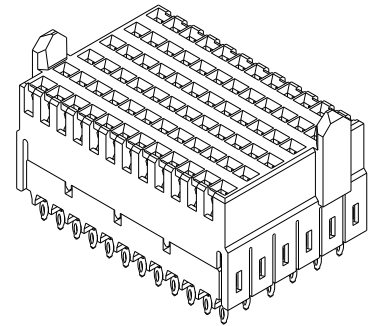


	title AirMax VS VERT RECPT ASSY PRESS-FIT, 72 POSITION, 12mm	dwg no 10052829	Rev. A
	catalog no -	CUSTOMER	sheet 2 of 4

PRODUCT NUMBER	PRESS-FIT TAIL PLATING TYPE
10052829-101	TIN/LEAD ALLOY OVER NICKEL
10052829-101LF	TIN OVER NICKEL (LEAD FREE)

NOTES:

1. CONNECTOR MATERIALS:
HOUSING: HIGH TEMP THERMOPLASTIC, NATURAL, UL94V-0
IMLA PLASTIC: HIGH TEMP THERMOPLASTIC, BLACK, UL94V-0
CONTACT: COPPER ALLOY
2. CONTACT PLATING:
SEPARABLE INTERFACE:
PERFORMANCE-BASED PLATING, QUALIFIED TO MEET THE REQUIREMENTS OF FCI PRODUCT SPECIFICATION GS-12-239, INCLUDING TELCORDIA GR-1217-CORE (NOVEMBER 1995) CENTRAL OFFICE.
PRESS-FIT TAILS: SEE TABLE
3. PRODUCT SPECIFICATION: GS-12-239
4. APPLICATION SPECIFICATION: GS-20-035
5. PRODUCT MARKING, (PART NUMBER & LOT CODE), ON THIS SURFACE
6. REFER TO CUSTOMER DRAWING 10035911 FOR INFORMATION REGARDING PCB LAYOUT OF POWER AND GUIDE MODULES RELATIVE TO SIGNAL MODULES
7. POSITION F OF ODD NUMBERED COLUMNS AND POSITION G OF EVEN NUMBERED COLUMNS CORRESPOND TO EARLY MATE HEADER PINS
8. THERE IS NO GROUND BUSSING WITHIN THE CONNECTOR SYSTEM
9. SEE CUSTOMER DRAWING 10045979 FOR INFORMATION ON PCB HOLE DIAMETER AND PLATING OPTIONS
10. THIS PRODUCT MEETS EUROPEAN UNION DIRECTIVES AND OTHER COUNTRY REGULATIONS AS DESCRIBED IN GS-22-008
11. THE HOUSING WILL WITHSTAND EXPOSURE TO 260°C PEAK TEMPERATURE FOR 40 SECONDS IN A CONVECTION, INFRA-RED OR VAPOR PHASE REFLOW OVEN
12. PACKAGING MEETS GS-14-920 LEAD FREE LABELING SPECIFICATION



	title AirMax VS VERT RECPT ASSY PRESS-FIT, 72 POSITION, 12mm	drwg no 10052829	Rev. A
	catalog no -	CUSTOMER	sheet 4 of 4

REV F - 2010-04-17

PDM: Rev:A STATUS:Released ⁴Printed: Dec 01, 2010