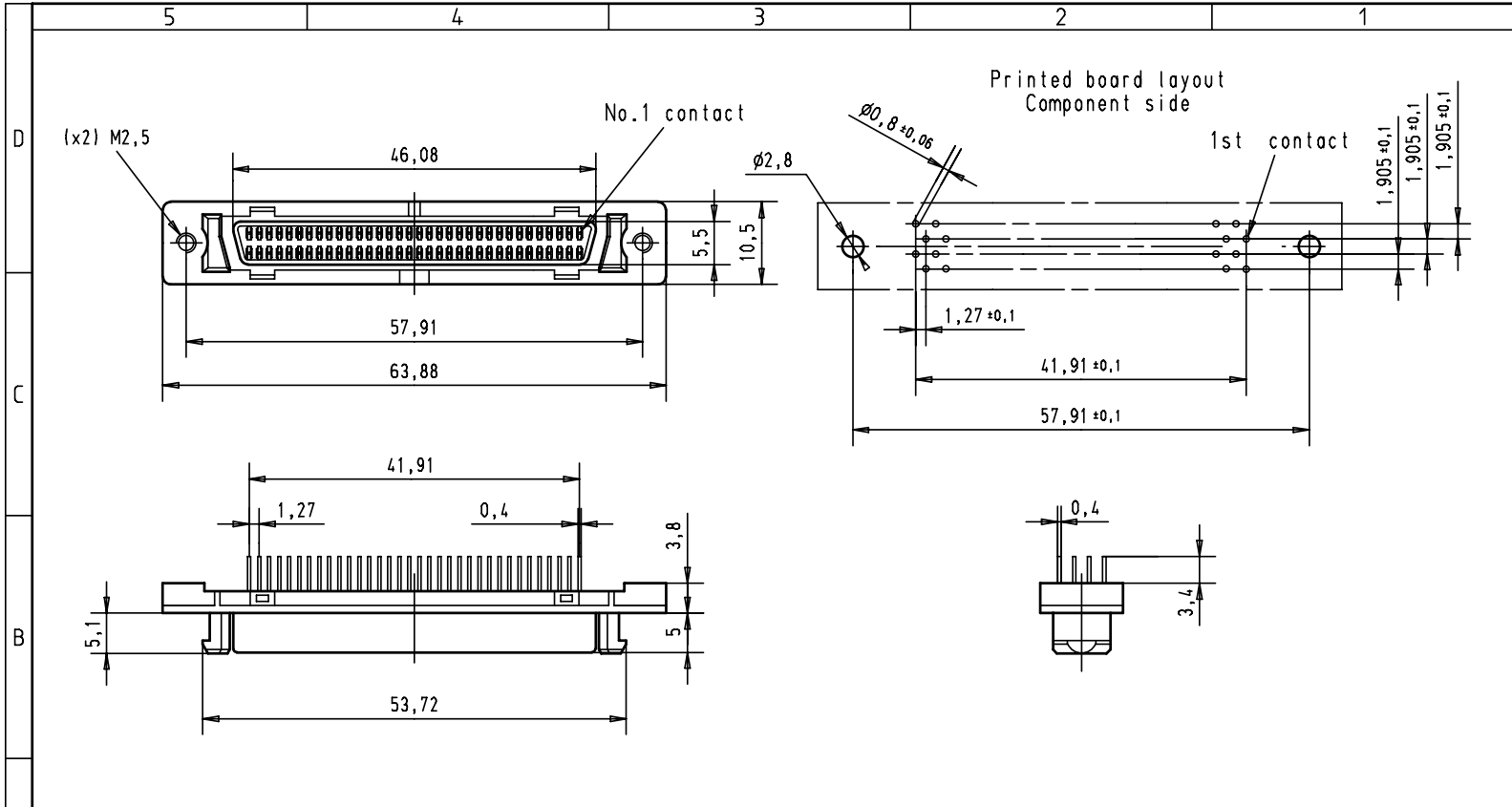
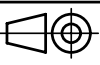



Alle Rechte vorbehalten / All rights reserved



A					Det.	Name	 All Dim. in mm Orig. Size DIN A 4	har.mik® I/O pin/socket Female connector 68 poles with straight solder pins and fixed latching	Maßstab/ Scale 1,5:1	
					Detail.	30-AUG-00				JB
					Insp.					
					Stand.					
	27941	30-AUG-00	JB	HARTING EURL F-95972 Paris				TB 60 01 068 5102	Blatt/ Page 1 / 1	
	Mod.	Det.	Name					Sub.		