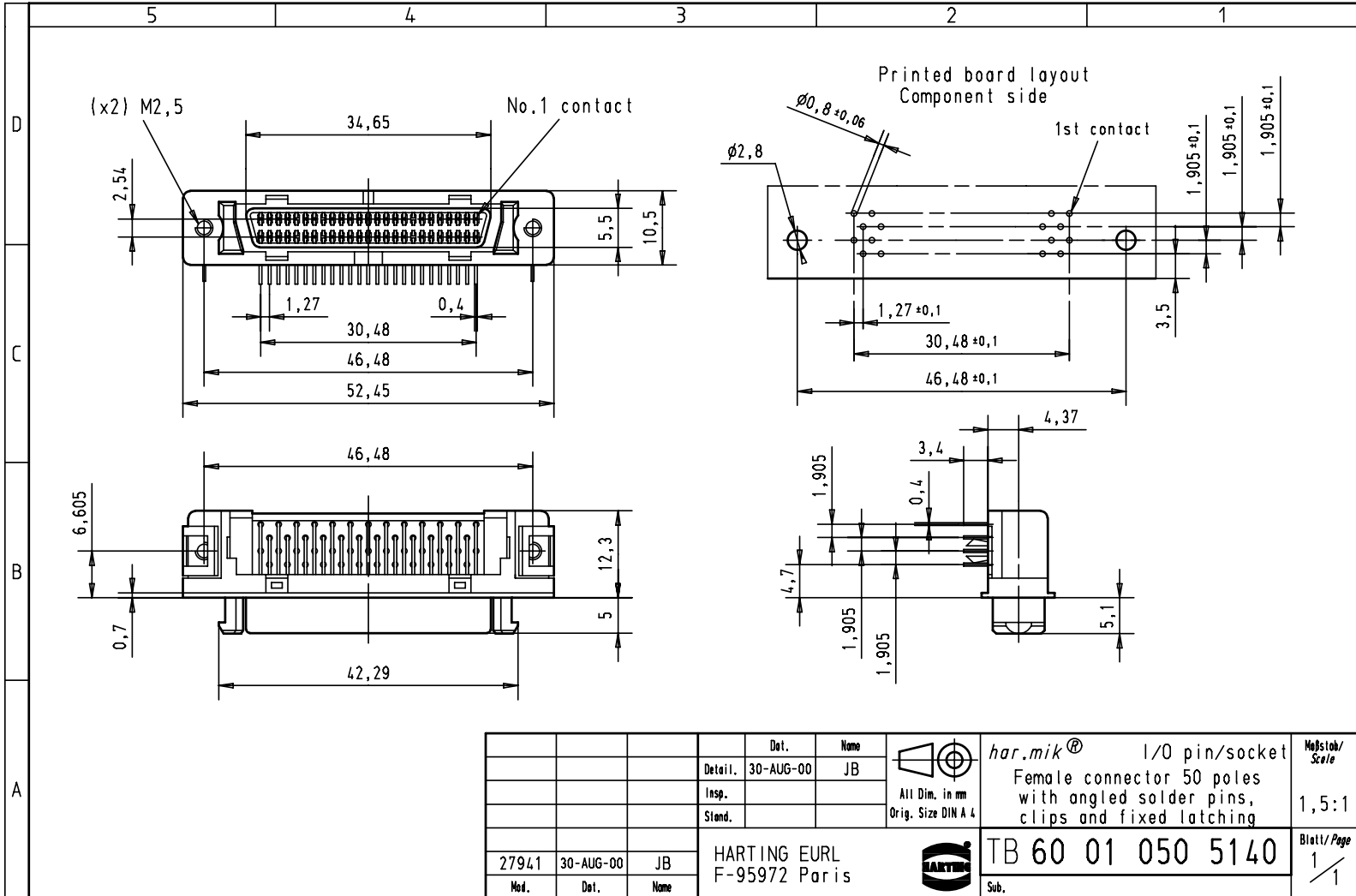




Alle Rechte vorbehalten/ All rights reserved



				Det.	Name	 har.mik® I/O pin/socket Female connector 50 poles with angled solder pins, clips and fixed latching	Maßstab/ Scale		
			Detail.	30-AUG-00	JB		All Dim. in mm Orig. Size DIN A 4	1,5:1	
			Insp.					 TB 60 01 050 5140	Blatt/ Page
			Stand.						Sub.
27941	30-AUG-00	JB	HARTING EURL F-95972 Paris						
Mod.	Det.	Name							