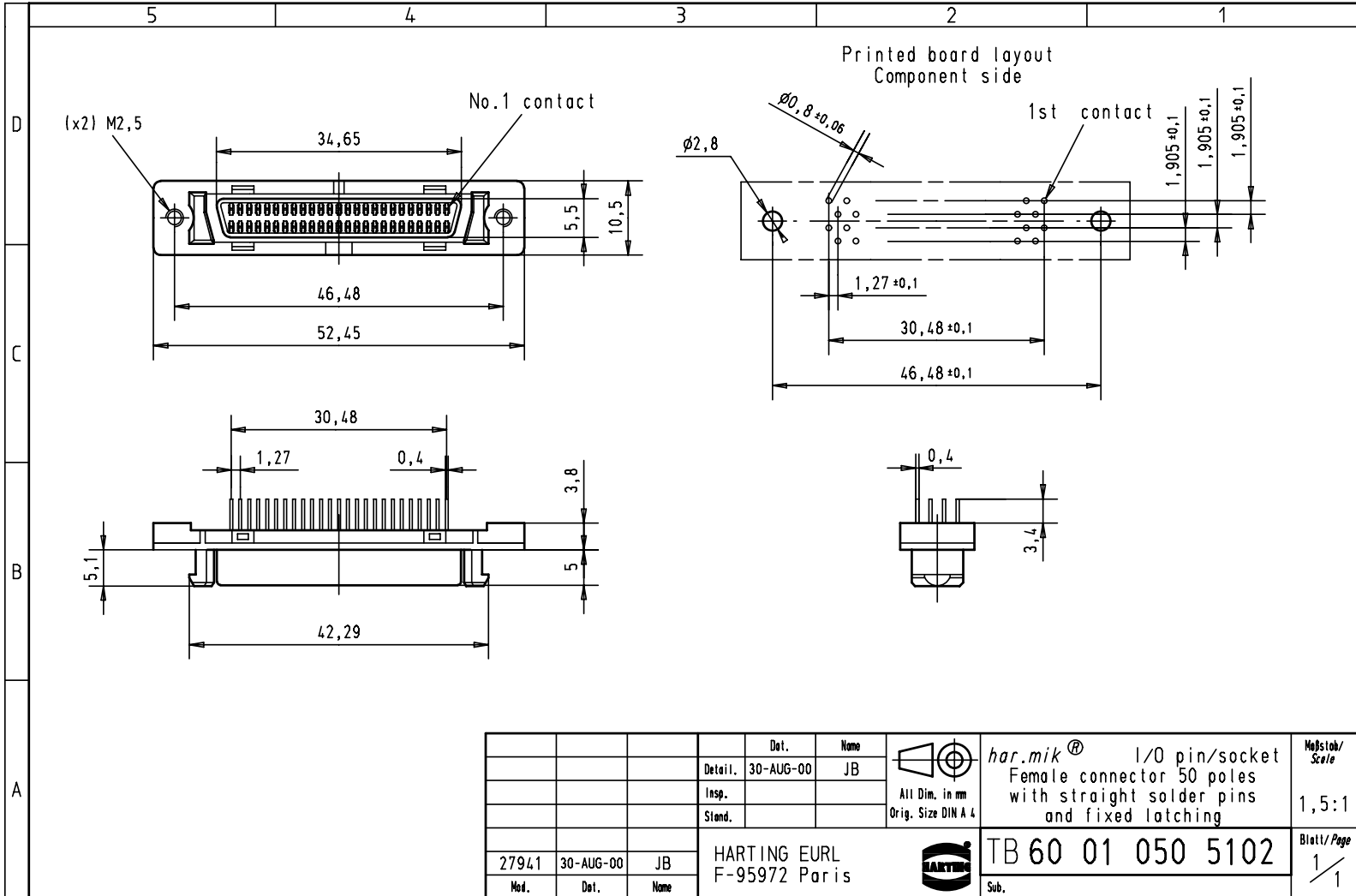




Alle Rechte vorbehalten / All rights reserved



				Det.	Name	 All Dim. in mm Orig. Size DIN A 4	<b>har.mik®</b> I/O pin/socket Female connector 50 poles with straight solder pins and fixed latching	Maßstab/ Scale  1,5:1
			Detail.	30-AUG-00	JB			
			Insp.					
			Stand.					
27941	30-AUG-00	JB	HARTING EURL F-95972 Paris				<b>TB 60 01 050 5102</b>	Blatt/ Page 1 / 1
Mod.	Det.	Name	Sub.					