

# D Ribbon

## Wiremount Plug, Bailmount Option



- Accepts 26–28 AWG wire
- Accepts .050 inch round, flat or jacketed cable
- Low profile
- Flexible design offers various mounting applications
- Contact design efficiency enables multiple insertion/withdrawals

TS-0819-02  
Sheet 1 of 3

Date Modified: February 19, 1999

47

---

## Physical

### Insulation

Material: Glass Filled Polyester (PBT)  
Flammability: UL 94V-0  
Color: Gray

### Contact

Material: Copper Alloy  
Plating  
Underplate: 100  $\mu$ " (2.54  $\mu$ m) Nickel — QQ-N-290, Class 2  
Wiping Area: 30  $\mu$ " (0.76  $\mu$ m) Gold — MIL-G-45204, Type II, Grade C

### Strain Relief

Material: Stainless Steel — .012 [ 0.30 ] Thick

**Wire Accommodation:** 26 & 28 AWG Solid or Stranded

**Marking:** 3M Logo, Part Number Identification, Position 1

---

## Electrical

**Current Rating:** 1 A

**Insulation Resistance:**  $> 1 \times 10^9 \Omega$  at 500 Vdc

**Withstanding Voltage:** 1000 Vrms at Sea Level

---

## Environmental

**Temperature Rating:**  $-55^\circ$  to  $+105^\circ\text{C}$

UL File No.: E68080

---

### 3M Interconnect Solutions Division

6801 River Place Blvd.  
Austin, TX 78726-9000

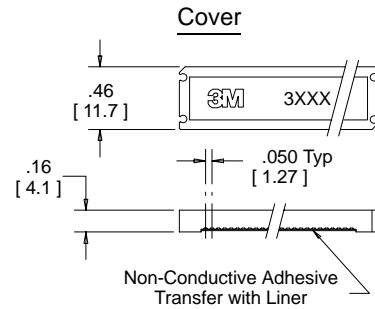
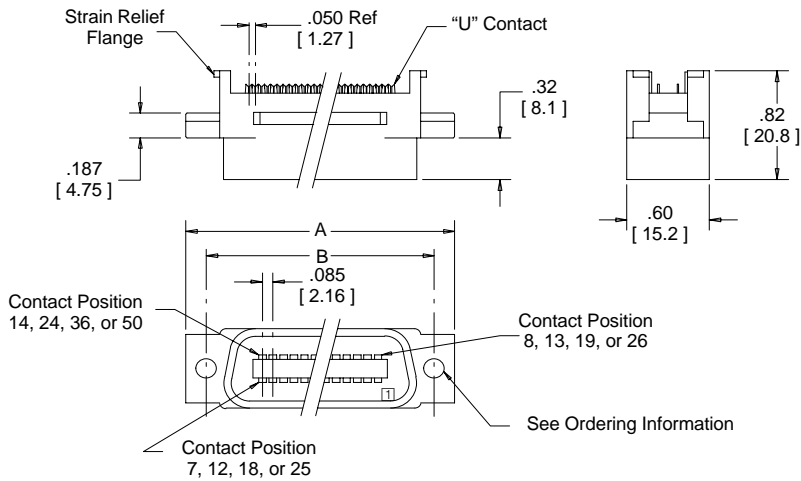
For technical, sales or ordering information call  
**800-225-5373**

# D Ribbon Wiremount Plug, Bailmount Option



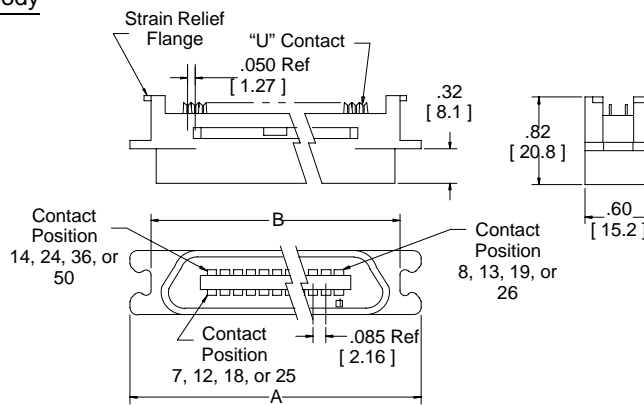
Contact Quantity	Series	Dimensions		
		A	B	C
14	3572	1.75 [ 44.5 ]	1.42 [ 36.1 ]	1.28 [ 32.5 ]
24	3548	2.17 [ 55.2 ]	1.84 [ 46.7 ]	1.70 [ 43.2 ]
36	3366	2.68 [ 68.1 ]	2.35 [ 59.7 ]	2.21 [ 56.1 ]
50	3564	3.27 [ 83.1 ]	2.95 [ 74.9 ]	2.81 [ 71.1 ]

## Standard Body



Contact Quantity	Series	Dimensions		
		A	B	C
14	3572	1.58 [ 40.1 ]	1.20 [ 30.5 ]	1.28 [ 32.5 ]
24	3548	2.01 [ 51.1 ]	1.63 [ 41.4 ]	1.70 [ 43.2 ]
36	3366	2.52 [ 64.0 ]	2.14 [ 54.4 ]	2.21 [ 56.1 ]
50	3564	3.11 [ 79.0 ]	2.73 [ 66.3 ]	2.81 [ 71.1 ]

## Bailmount Body



**Inch**  
[mm]

Tolerance Unless Noted			
	.0	.00	.000
Inch	± .1	± .01	± .005

[ ] Dimensions for Reference only

## Ordering Information

**Connector  
XXXX-100X**

Series  
See Table

0 = .158 [ 4.01 ] Dia Hole  
1 = Bailmount  
2 = #4-40 UNC Insert

**Strain Relief  
(Order Separately)  
3448-XX**

60 = 14 Position  
61 = 24 Position  
62 = 36 Position  
63 = 50 Position

TS-0819-02  
Sheet 2 of 3

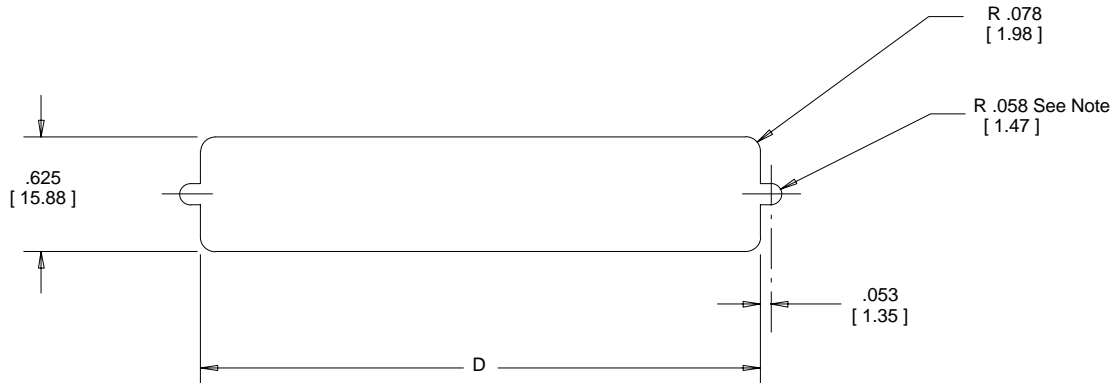
## 3M Interconnect Solutions Division

6801 River Place Blvd.  
Austin, TX 78726-9000

For technical, sales or ordering information call  
**800-225-5373**

# D Ribbon

## Recommended Panel Cutout Configurations

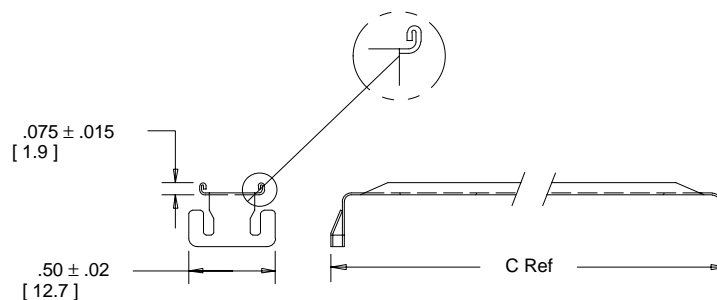


**Notes:**

For rear mounting of connector with IEEE-488 Type 3M Jack Socket 3341-3, use .098" [ 2.49 mm ] R.

Contact Quantity	3M Part Number	Mounting Method	Dimension D
14	3572	Front	1.315 [ 33.40 ]
24	3548	Front	1.740 [ 44.20 ]
36	3366	Front	2.250 [ 57.15 ]
50	3564	Front	2.845 [ 72.26 ]
14	3572	Rear	1.156 [ 29.36 ]
24	3548	Rear	1.580 [ 40.13 ]
36	3366	Rear	2.090 [ 52.09 ]
50	3564	Rear	2.705 [ 68.71 ]

**Strain Relief  
(Order Separately)**



TS-0819-02  
Sheet 3 of 3

**3M Interconnect Solutions Division**

6801 River Place Blvd.  
Austin, TX 78726-9000

For technical, sales or ordering information call  
**800-225-5373**