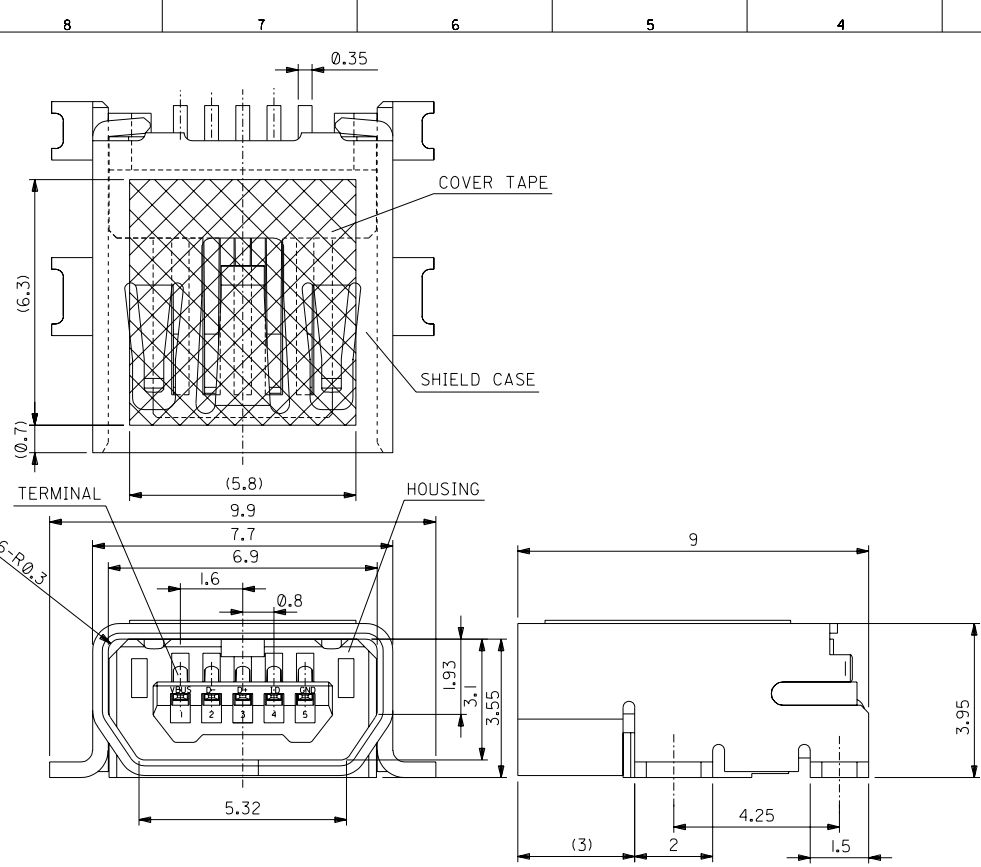


DWG. NO. SD-56579-015

DO NOT SCALE DRAWING

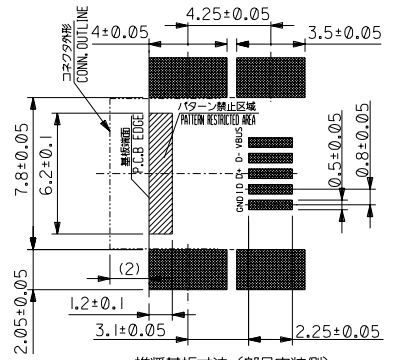


注記 1. 材質  
 MATERIAL  
 ハウジング: ポリフタルアミド ガラス充填 灰色 UL94V-0  
 HOUSING: POLYPTHAL AMIDE GLASS FILLED, GRAY, UL94V-0  
 ターミナル: 銅合金 (t=0.2)  
 TERMINAL: COPPER ALLOY (t=0.2)  
 シールド ケース: 銅合金 (t=0.4)  
 SHIELD CASE: COPPER ALLOY (t=0.4)  
 カバー テープ: ポリイミド (t=0.08)  
 COVER TAPE: POLYIMIDE (t=0.08)

2. メッキ仕様  
 PLATING  
 ターミナル  
 TERMINAL  
 接点部: 金メッキ 0.76μm MIN.  
 CONTACT AREA: GOLD 0.76MICRO METER MINIMUM.  
 半田付り部: 錫メッキ 1.0μm MIN.  
 SOLDER TAIL AREA: TIN 1.0MICRO METER MINIMUM.  
 下地部: ニッケルメッキ 4.0μm MIN.  
 UNDER PLATING: NICKEL 4.0MICRO METER MINIMUM.  
 シールド ケース  
 SHIELD CASE  
 錫メッキ 1.0μm MIN.  
 TIN 1.0MICRO METER MINIMUM.  
 下地部: ニッケルメッキ 4.0μm MIN.  
 UNDER PLATING: NICKEL 4.0MICRO METER MINIMUM.

3. テール、ネール平直度は0.1mm MAX.  
 TAIL, NAIL COPLANARITY 0.1mm MAX.

4. 本製品は56579-0571の鉛フリー品である。  
 THIS PRODUCT IS LEAD FREE OF 56579-0571.

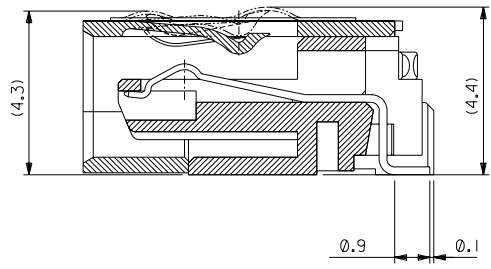


推奨基板寸法 (部品実装側)  
 RECOMMENDED P.C.B. PATTERN LAYOUT (PART MOUNT SIDE)

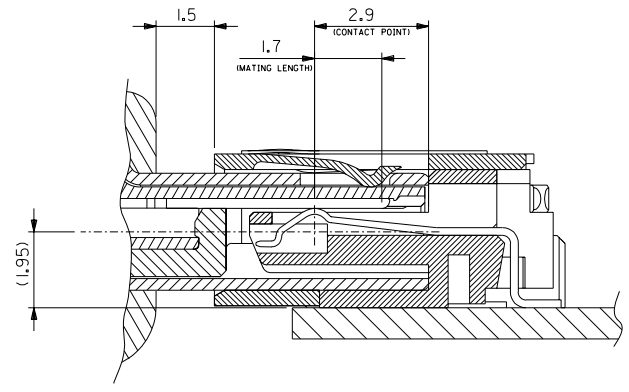
E84NO. DRWN: CHFK: APPR:		E83NO. DRWN: CHFK: APPR:		E82NO. DRWN: CHFK: APPR:		E81NO. DRWN: CHFK: APPR:		E80NO. J2004-4266 DRWN: M.NAGATA CHFK: K.TOJO APPR: M.SASAO		MATERIAL 材料		GENERAL TOLERANCES: (UNLESS SPECIFIED) 一般公差		SCALE 10:1		DESIGN UNITS mm INCH		MODEL NO. 56579-0579		DIMENSIONS: mm INCH		56579-0579 MATERIAL NO. SHT REV	
RELEASED										SEE NOTES		10 UNDER 未満		DRAWN BY & DATE M.NAGATA '04/05/17		TITLE: USB SERIES MINI-AB REC. ASS'Y SMT -LEAD FREE-		PROJECTION		MATERIAL NO. SD-56579-015		SHEET NO. 1 OF 2	
										SEE NOTES		10 OVER 以上 30 UNDER 未満		CHECKED BY & DATE K.TOJO '04/05/17		MATERIAL NO. SEE CHART		INCH		DRAWING NO. SD-56579-015		SIZE B	
										WIRE RANGE 適用電線範囲		30 OVER 以上		APPROVED BY & DATE M.SASAO '04/05/17		MATERIAL NO. SD-56579-015.S01		MM ONLY		DRAWING NO. SD-56579-015		SIZE B	
										INS. RANGE 被覆外径		ANGLE 角度				DRAWING NO. SD-56579-015		MM ONLY		DRAWING NO. SD-56579-015		SIZE B	

EN-02J(097) MXJ-54

DWG. NO. SD-56579-015



SECTION



MATING

DO NOT SCALE DRAWING

8	7	6	5	4	3	2	1	
84 INC. DRWN: CH'K: APPR:	83 INC. DRWN: CH'K: APPR:	82 INC. DRWN: CH'K: APPR:	81 INC. DRWN: CH'K: APPR:	80 INC. DRWN: CH'K: APPR:	REV. DESCRIPTION 0	MATERIAL 材料 SEE NOTES	GENERAL TOLERANCES: (UNLESS SPECIFIED) 一般公差 10 UNDER 未満 +0.2 10 OVER 以上 30 UNDER 未満 +0.25 30 OVER 以上 +0.3 ANGLE 角度 ±3°	MODEL NO. 56579-0579 DIMENSIONS: 2D PROJECTION <input type="checkbox"/> mm <input type="checkbox"/> INCH <input checked="" type="checkbox"/> mm ONLY SHT 2 REV 2 TITLE: USB SERIES MINI-AB REC. ASS'Y SMT -LEAD FREE- MOLEX INCORPORATED CAD FILENAME SD-56579-015.S02 MATERIAL NO. SEE CHART DRAWING NO. SD-56579-015 SHEET NO. 2 OF 2 SIZE B

8	7	6	5	4	3	2	1	
84 INC. DRWN: CH'K: APPR:	83 INC. DRWN: CH'K: APPR:	82 INC. DRWN: CH'K: APPR:	81 INC. DRWN: CH'K: APPR:	80 INC. DRWN: CH'K: APPR:	REV. DESCRIPTION 0	MATERIAL 材料 SEE NOTES	GENERAL TOLERANCES: (UNLESS SPECIFIED) 一般公差 10 UNDER 未満 +0.2 10 OVER 以上 30 UNDER 未満 +0.25 30 OVER 以上 +0.3 ANGLE 角度 ±3°	MODEL NO. 56579-0579 DIMENSIONS: 2D PROJECTION <input type="checkbox"/> mm <input type="checkbox"/> INCH <input checked="" type="checkbox"/> mm ONLY SHT 2 REV 2 TITLE: USB SERIES MINI-AB REC. ASS'Y SMT -LEAD FREE- MOLEX INCORPORATED CAD FILENAME SD-56579-015.S02 MATERIAL NO. SEE CHART DRAWING NO. SD-56579-015 SHEET NO. 2 OF 2 SIZE B

EN-02J(097) MXJ-54

