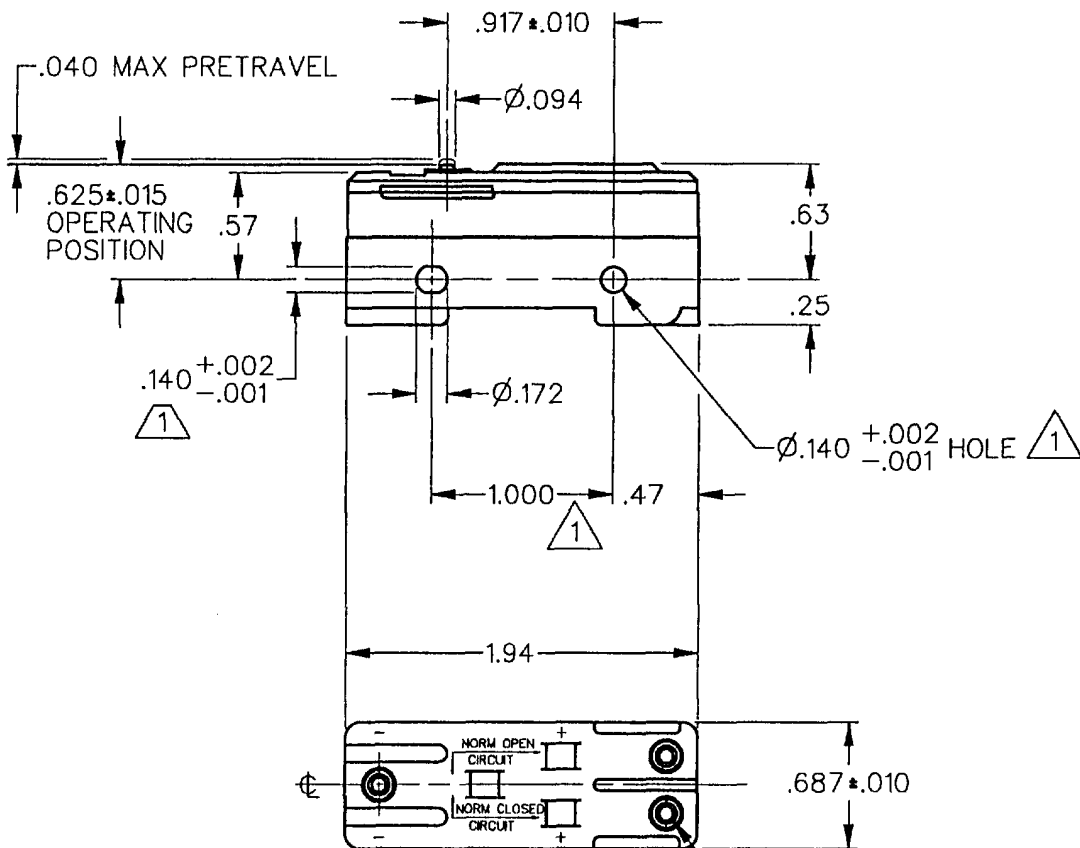


MICRO SWITCH
a Honeywell Division
FED. MFG. CODE 91929

SWITCH-BASIC

CATALOG LISTING
MT-4R27

CATALOG LISTING
MT-4R27
PAGE 1 OF 1
REPLACES X93095-MT
RELEASE NO. PR-20232
CHECK
ISSUE
2
REVISIONS
A 202791
CSL
6 APR 01
CHECK
8 OCT 92
Dcs
DHD 2 OCT 92
DRAWN
RASTER



3-48 UNC THREAD .125 MIN DEPTH IN INSERT FOR TERMINAL CONNECTION

- NOTE
- 1 MOUNTING HOLES WILL ACCEPT PINS OR SCREWS OF Ø.139 MAX ON 1.000 ± .002 CENTERS
 - 2 - FOR BEST RESULTS EITHER POLARIZE THE SWITCH WITH COMMON TERMINAL BEING OF NEGATIVE POLARITY OR MOUNT THE SWITCH WITH BRASS SCREWS AND SPACE AT LEAST .250 FROM MAGNETIC MATERIALS

ANSI Y14.5M-1982 APPLIES

THIS DRAWING COVERS A PROPRIETARY ITEM AND IS THE PROPERTY OF MICRO SWITCH, A DIVISION OF HONEYWELL. THIS DRAWING IS NOT TO BE COPIED OR USED WITHOUT THE APPROVAL OF MICRO SWITCH.

THIRD ANGLE PROJECTION

CHARACTERISTICS
OPERATING FORCE - - - - - 12-18 OZ
RELEASE FORCE - - - - - 5 OZ MIN
DIFFERENTIAL TRAVEL - - -.004-.007
OVERTRAVEL - - - - - .005 MIN

ELECTRICAL DATA
CONTACT ARRANGEMENT S P D T
L168 (NON-POLARIZED) 10A 125 VAC-DC 1/4HP 125 VAC-DC

SCALE FULL	DO NOT SCALE PRINT
UNLESS OTHERWISE SPECIFIED TOLERANCES ARE	
ONE PLACE (.0)	±.030
TWO PLACE (.00)	±.015
THREE PLACE (.000)	±.005
ANGLES	±
WEIGHT	.060 LB

