

I/O Link Module for Micro PLCs

CPM1A-SRT21

Exchange I/O Status Between
CPM1A or CPM2A Micro PLCs and
Supervising PLCs Via CompoBus/S

- I/O Link Module exchanges eight inputs and eight outputs with the Master
- Up to three I/O Link Modules can be used per micro PLC CPU; each one counts as Expansion I/O units
- Supports high-speed (750 kbps) communications
- Connect I/O Link Module to Master PLCs with flat cable or Belden #9409 twisted-pair cable



Ordering Information

■ I/O LINK MODULE

Item	I/O points linked to Master PLC	Part number
CompoBus/S I/O link module	8 input and 8 output exchange points	CPM1A-SRT21

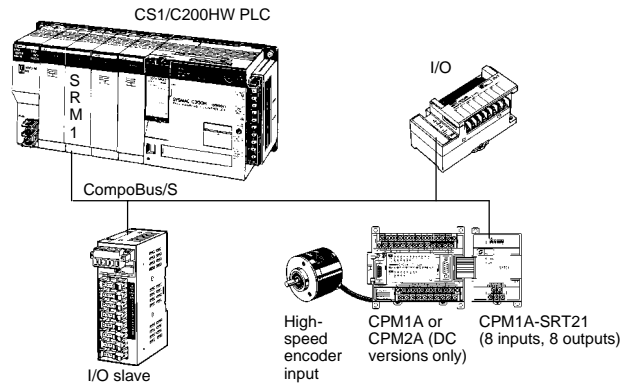
■ ACCESSORIES

Item	Specification	Part number
Communications cable	Flat cable, 100 m length, 4 conductor (0.75 mm ² each)	SCA1-4F10
Branch connector	Sold in packs of 10	SCN1-TH4
Extension connector	Sold in packs of 10	SCN1-TH4E
Connector terminator	Sold in packs of 10	SCN1-TH4T
Terminal block terminator	Sold in packs of 10	SRS1-T

Application Examples

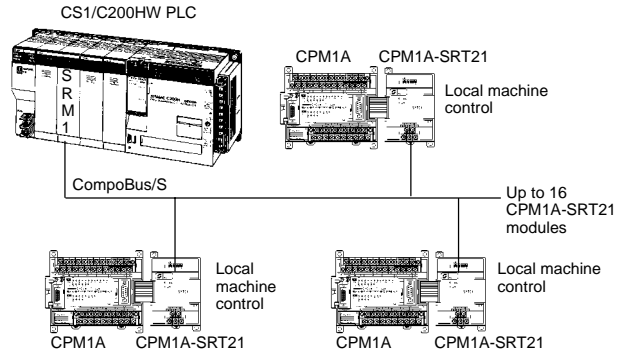
■ USE CPM□A AS A HIGH-SPEED COUNTER ON COMPOBUS/S

The I/O Link Module connects the high-speed counting function and closed-loop local control of CPM1A/CPM2A micro PLCs to the PLC master or SRM1 controller. The fast data exchange is ideal for packaging and assembly applications.



■ SUPERVISE MULTIPLE SMALL MACHINES CONTROLLED BY CPM□A

Use the I/O Link Module to map specific input and output data over CompoBus/S. Each machine controlled by a CPM1A or CPM2A PLC signals the status to a common data area on the supervising PLC.



■ COMPATIBILITY CHART

CPU Units

I/O configuration	Power supply	Output method	Input	Output	Part number			
30-point I/O model	AC	Relay	18 points	12 points	CPM1A-30CDR-A*			
		DC			Relay	CPM1A-30CDR-D*		
					Transistor (sink)	CPM1A-30CDT-D		
					Transistor (source)	CPM1A-30CDT1-D		
	AC	Relay			CPM2A-30CDR-A			
		DC			Relay	CPM2A-30CDR-D		
	Transistor (sink)				CPM2A-30CDT-D			
	Transistor (source)				CPM2A-30CDT1-D			
	40-point I/O model				AC	Relay	24 points	16 points
		DC				Relay		
Transistor (sink)			CPM1A-40CDT-D					
Transistor (source)			CPM1A-40CDT1-D					
AC		Relay	CPM2A-40CDR-A					
		DC	Relay	CPM2A-40CDR-D				
Transistor (sink)			CPM2A-40CDT-D					
Transistor (source)			CPM2A-40CDT1-D					
60-point I/O model	AC		Relay	36 points	24 points	CPM2A-60CDR-A		
		DC	Relay			CPM2A-60CDR-D		
	Transistor (sink)		CPM2A-60CDT-D					
	Transistor (source)		CPM2A-60CDT1-D					

Note: Models marked with asterisks do not bear CE markings.

Expansion Units

Product	Number of units connectable per CPU	Output method	Input	Output	Part number
Expansion I/O units	3 max. (See Note)	Relay	12 points	8 points	CPM1A-20EDR1
		Transistor (sink)			CPM1A-20EDT
		Transistor (source)			CPM1A-20EDT1
		—	8 points	—	CPM1A-8ED
		Relay	—	8 points	CPM1A-8ER
		Transistor (sink)	—	8 points	CPM1A-8ET
		Transistor (source)	—	8 points	CPM1A-8ET1
Analog I/O unit	3 max. (See Note)	Analog	2 points	1 point	CPM1A-MAD01

Note: Only a single module will be connectable if the NT-AL001 is connected to the RS-232C port.

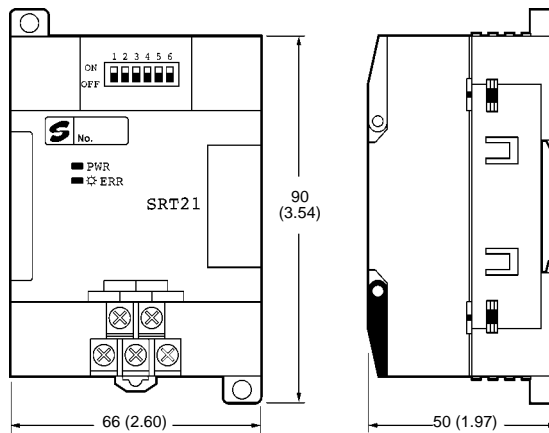
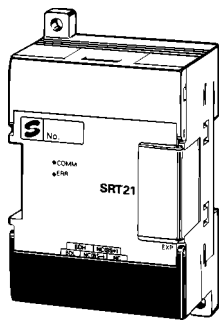
Specifications

Slave	CompoBus/S Slave
Number of I/O points	8 inputs and 8 outputs
Number of occupied I/O memory words of CPM2A	1 input word and 1 output word (same as other Expansion Modules in allocation)
Node address setting	DIP switch

Dimensions

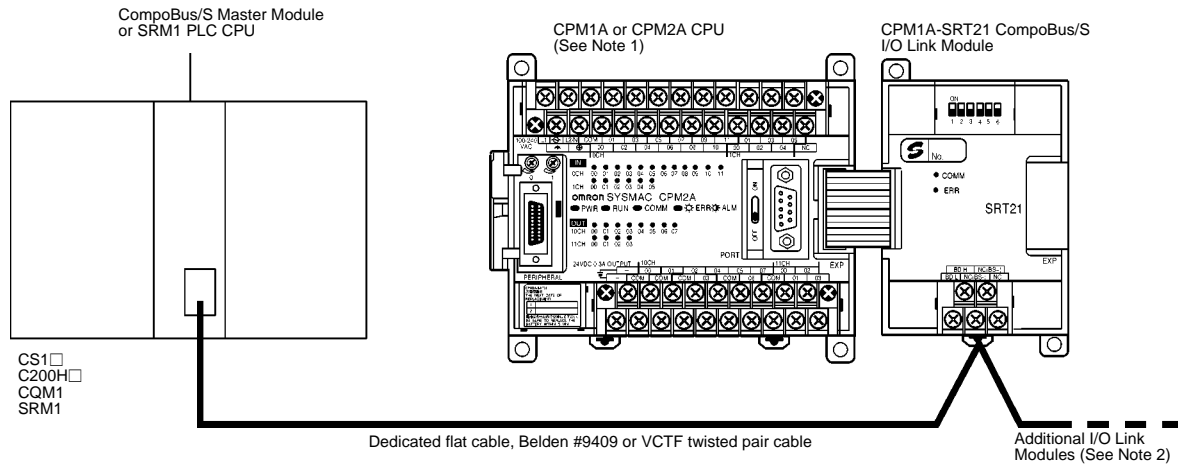
Unit: mm (inch)

■ CPM1A-SRT21



Installation

CONNECTION EXAMPLES



- Note: 1. A single CompoBus/S I/O Link Module together with a maximum of two other CPM1A Expansion I/O Units can be connected to the CPM1A or CPM2A CPU.
2. CQM1-SRM1 CompoBus/S Master Module will support a maximum of 8 I/O Link Modules in a network. The SRM1 Micro PLC and CS1/C200H CompoBus/S Master Modules will support a maximum of 16 I/O Link Modules in a network.

NOTE: DIMENSIONS SHOWN ARE IN MILLIMETERS. To convert millimeters to inches divide by 25.4.

OMRON®

OMRON ELECTRONICS, INC.
One East Commerce Drive
Schaumburg, IL 60173
1-800-55-OMRON

OMRON CANADA, INC.
885 Milner Avenue
Scarborough, Ontario M1B 5V8
416-286-6465