

Link Master Adapter

B7A-□□□3/8

Connect High-Density I/O PLC Modules to 16-Point B7A Modules

- Adapter for Omron high-density I/O PLC modules connects 32 points, eliminates need for a second Link Interface module
- Transmits 16 input signals over 2 wires; 32 input signals over just 3 wires
- Normal I/O delay (19.2 ms typical) or short I/O delay (3 ms typical) models
- 16- and 32-point connectors available
- Output models offer Hold or Load Off options for handling transmission errors



Ordering Information

MODEL NUMBER LEGEND

Input Models

B7A - T □ E □
 1 2 3 4

1. Input/Output Classification
 T: Input

2. Number of I/O
 6: 16
 3: 32

3. Input Configuration
 E: NPN compatible

4. I/O Delay (Typical)
 3: 19.2 ms
 8: 3 ms

Output Models

B7A - R □ A □ □
 1 2 3 4 5

1. Input/Output Classification
 R: Output

2. Number of I/O
 6: 16
 3: 32

3. Output Configuration/
 Capacity
 A: NPN open collector/
 50 mA/point

4. Error Processing
 1: HOLD

3: LOAD OFF


5. I/O Delay (Typical)
 3: 19.2 ms
 8: 3 ms

LINK MASTER ADAPTERS FOR HIGH-DENSITY I/O PLC MODULES

16-point Adapters

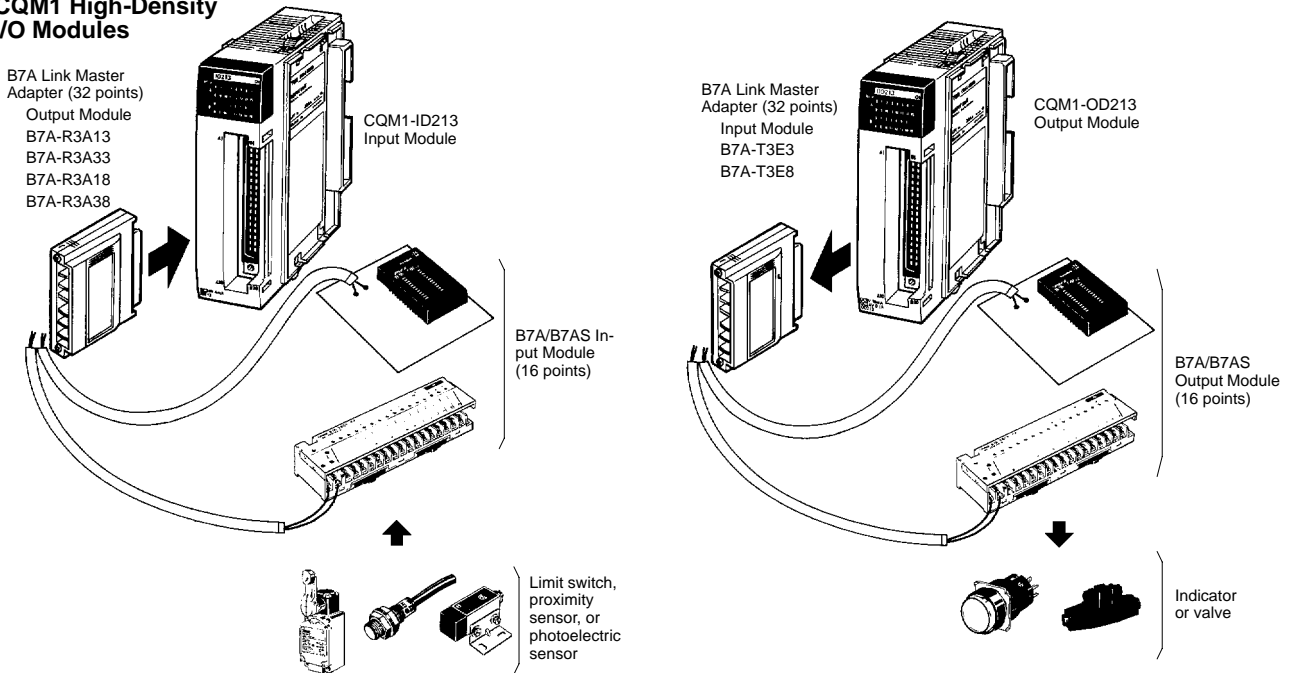
Appearance	I/O classification	I/O configuration	I/O delay (typical)	Error processing	Part number
	Input	NPN compatible	Normal speed 19.2 ms	---	B7A-T6E3
			High speed 3 ms	---	B7A-T6E8
	Output	NPN open collector 50 mA/point	Normal speed 19.2 ms	HOLD	B7A-R6A13
				LOAD OFF	B7A-R6A33
			High speed 3 ms	HOLD	B7A-R6A18
				LOAD OFF	B7A-R6A38

32-point Adapters

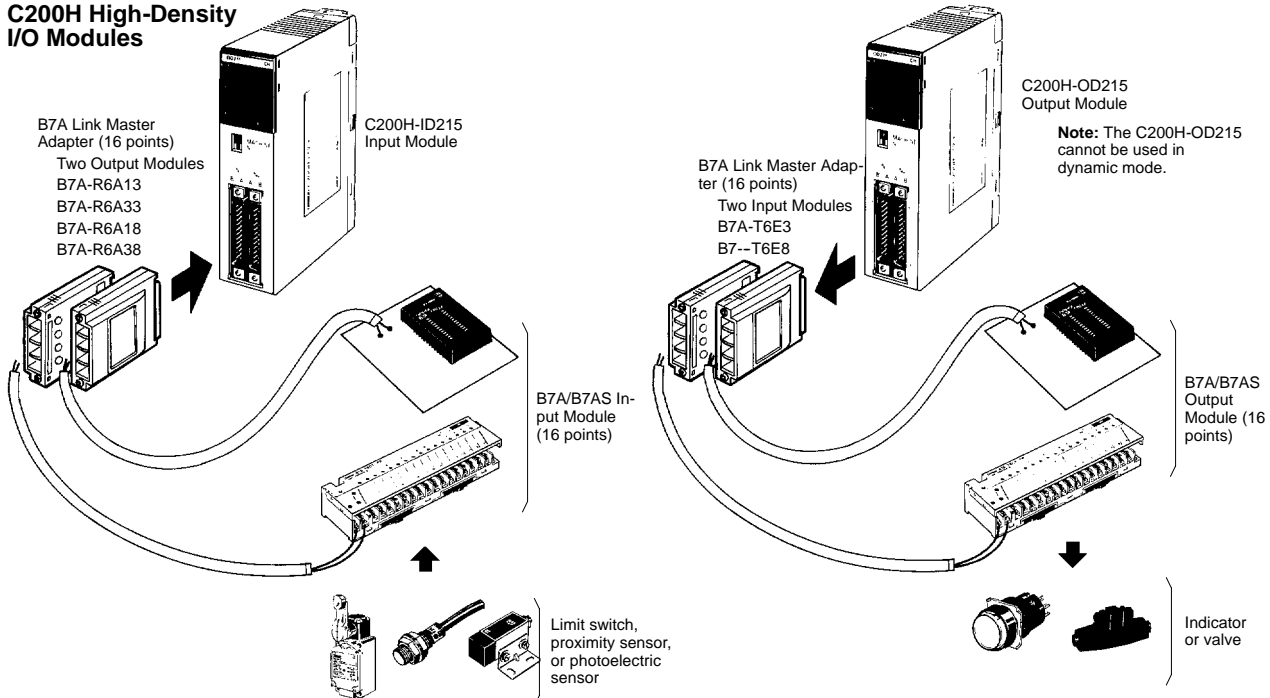
Appearance	I/O classification	I/O configuration	I/O delay (typical)	Error processing	Part number
	Input	NPN compatible	Normal speed 19.2 ms	---	B7A-T3E3
			High speed 3 ms	---	B7A-T3E8
	Output	NPN open collector 50 mA/point	Normal speed 19.2 ms	HOLD	B7A-R3A13
				LOAD OFF	B7A-R3A33
			High speed 3 ms	HOLD	B7A-R3A18
				LOAD OFF	B7A-R3A38

Application Examples

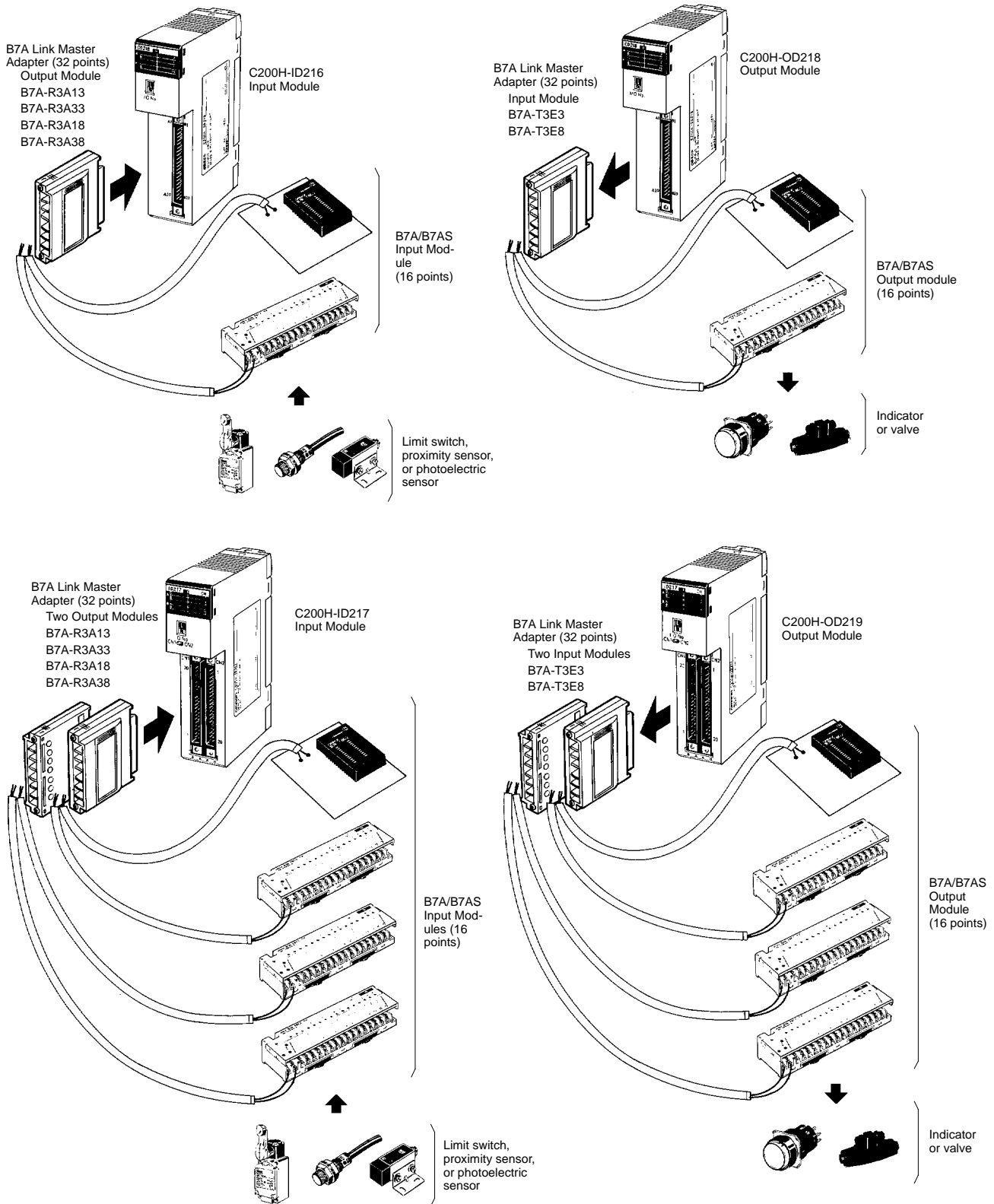
CQM1 High-Density I/O Modules



C200H High-Density I/O Modules

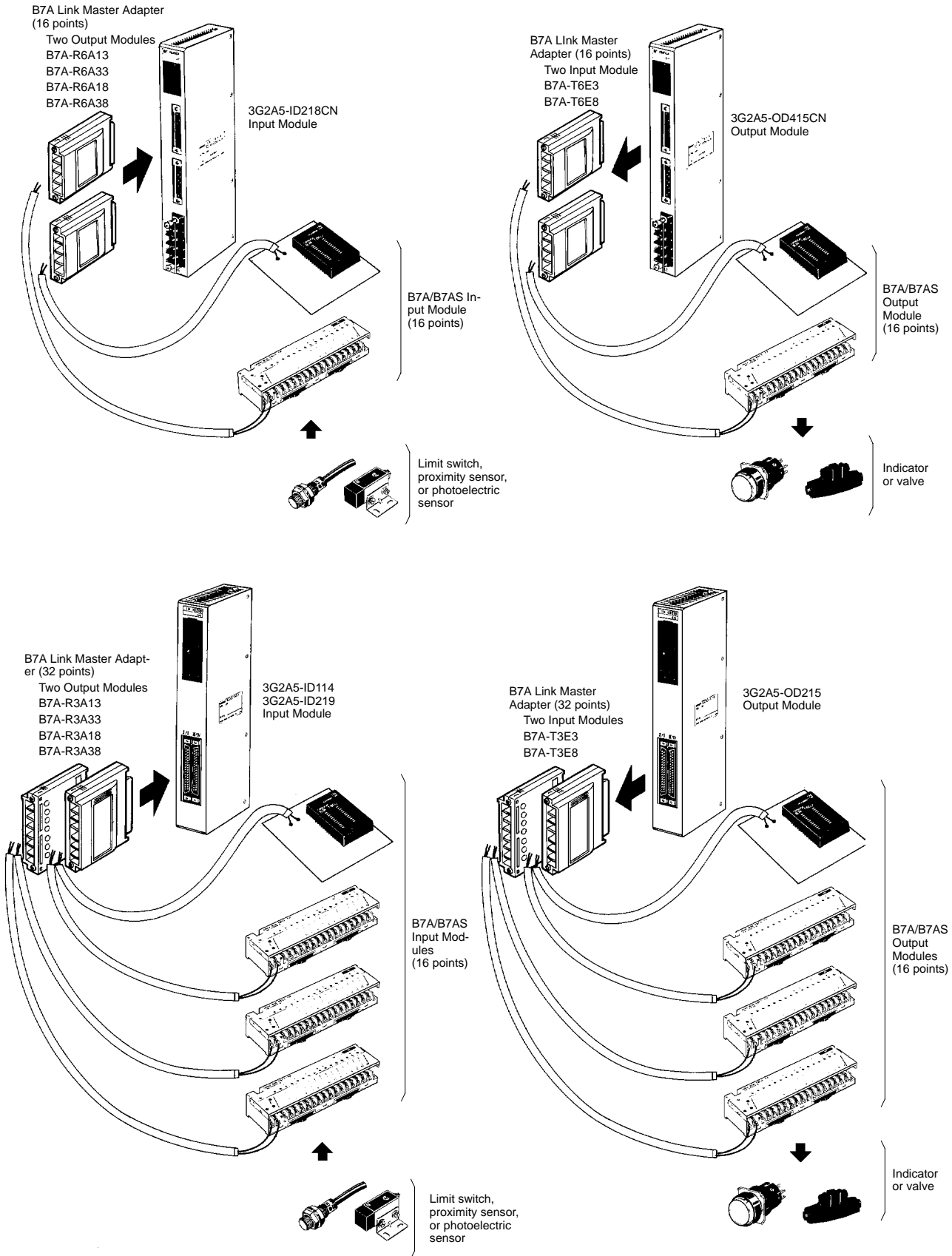


C200H High-Density I/O Modules (Group 2)

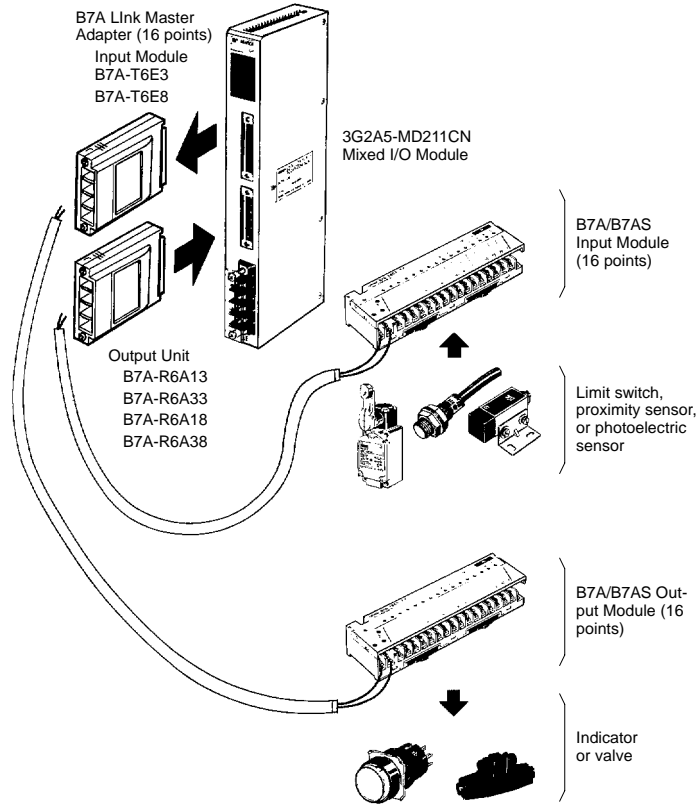


C500 High-Density I/O Modules

The 3G2A5-OD215 cannot be connected due to the difference in terminal arrangement.



C500 Mixed I/O Module



Specifications

■ CHARACTERISTICS

General

Item	Normal speed	High speed
Communication method	Unidirectional, time-division multiplex	
Transmission distance (See Note 2)	500 m max.	100 m max. (See Note 3)
I/O delay	Typical: 19.2 ms; 31 ms max.	Typical: 3 ms; 5 ms max.
Minimum input time (See Note 4)	16 ms (See Note 5)	2.4 ms
Operating voltage range	12 to 24 VDC (10.8 to 26.4 VDC) (See Note 2)	
Insulation resistance	100 M Ω min. (500 V) between each terminal and external parts	
Dielectric strength	1,000 VAC, 50/60 Hz for 1 min between each terminal and external parts	
Noise immunity (See Note 6)	Noise level: 1.5 kV; pulse width: 100 ns to 1 μ s (on transmission line due to coupling)	
Vibration resistance	10 to 55 Hz, 1.5 mm double amplitude	
Shock resistance	300 m/s ² (approx. 30G)	
Ambient temperature	Operating: -10°C to 55°C (14°F to 131°F) with no icing Storage: -25°C to 65°C (-13°F to 149°F) with no icing	
Ambient humidity	Operating: 35% to 85% with no condensation	

- Note: 1. If there is a possibility of noise interference from the power supply, input, and/or output lines, add appropriate noise protection circuits. Refer to *Noise Protection Circuits* in B7A Technical Reference.
2. The transmission distance values stated in this table are based on one power supply attached to each Input or Output Link Terminal. If two Input or Output Link Terminals share one power supply, the transmission distance will be derated, and the voltage must be 24 VDC \pm 10%. The derated transmission distance for normal-speed models is 100 m maximum and that of a high-speed model is 50 m maximum.
3. A shielded transmission cable or plain twisted pair cable with a thickness of 0.75 mm² minimum must be used for signal transmission. If twisted pair cable is used, however, the transmission distance will be 10 m maximum regardless of whether or not independent power supplies for the Input and the Output Link Terminals are used.
4. The minimum input time is required for the B7A to read an input signal.
5. Set the timer of the PLC to 0.02 s minimum if a normal-speed model is connected to the PLC.
6. For high-speed models, these values are possible without grounding the shielded line.

Input Models

Item	16-point	32-point
	B7A-T6E3/-T6E8	B7A-T3E3/-T3E8
Compatible inputs	PC (NPN output), switches, three-wire NPN sensors	
Input logic	Active low	
Current consumption (See Note)	60 mA max. with all input terminals ON	100 mA max. with all input terminals ON
Input voltage range	0 VDC to supply voltage	
Input current range	-1.5 to -0.6 mA/point (current flowing from input terminals)	
ON/OFF threshold	No-contact input: ON voltage: 1.6 V max. OFF voltage: 5.5 V min. Contact input: ON discrimination resistance: 1 k Ω max. OFF discrimination resistance: 9 k Ω min.	
Mounting strength	No damage when 5-kgf (49 N) pull is applied for 1 min each in all directions	
Terminal strength	No damage when 5-kgf (49 N) pull is applied for 1 min each in all directions	
Tightening torque	8 to 12 kgf \cdot cm (0.78 to 1.18 N \cdot m)	
Weight	46 g	71 g

Note: Consumption when all 16/32 points are ON. Excludes external sensor current for Input Terminals.

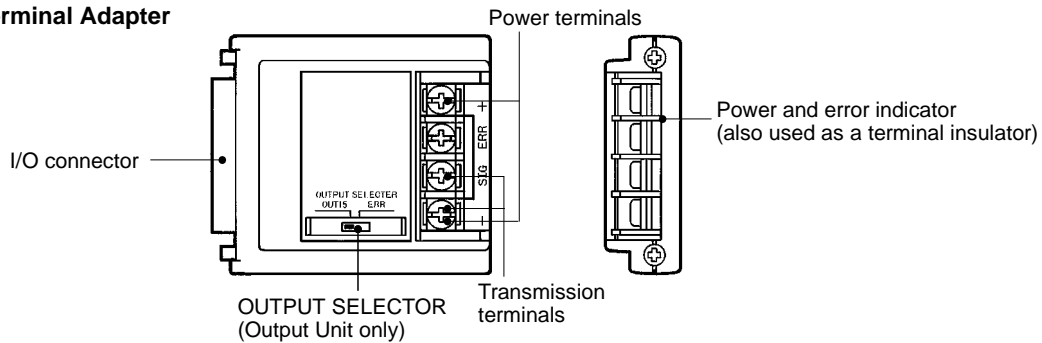
Output Models

Item	16-point	32-point
	B7A-R6A13/R6A18/R6A33/R6A38	B7A-R3A13/R3A33/R3A18/R3A38
Output configuration	NPN open collector	
Current consumption (See Note)	50 mA max. with all input terminals ON	80 mA max. with all input terminals ON
Rated load voltage	5 to 24 VDC	
Output residual voltage	0.8 V max.	
Output current	Sink current, 50 mA max./point	
Error output	Rated load voltage: 0 to 30 VDC Output current: sink current, 100 mA max./point	
Mounting strength	No damage when 5-kgf (49 N) pull is applied for 1 min each in all directions	
Terminal strength	No damage when 5-kgf (49 N) pull is applied for 1 min each in all directions	
Tightening torque	8 to 12 kgf • cm (0.78 to 1.18 N • m)	
Weight	46 g	71 g

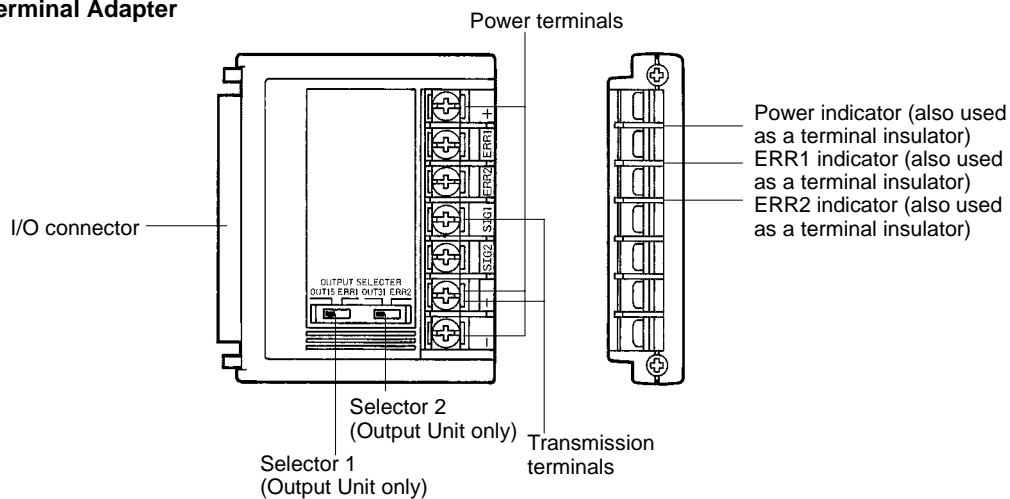
Note: Consumption when all 16/32 points are ON. Excludes external load current and error load current for Output Terminals.

Nomenclature

16-point Terminal Adapter



32-point Terminal Adapter



Indicator Operation

16-point Terminal Adapter

Indicator	Function	
POWER (Input Terminal)	G	Lit when power is supplied and the Terminal is operating.
	N	Not lit when power is not supplied.
POWER/ERR (Output Terminal)	G	Lit when power is supplied and the Terminal is operating without error.
	R	Lit during transmission errors.
	N	Not lit when power is not supplied.

Note: G: Green indicator lit; R: Red indicator lit; N: Not lit

32-point Terminal Adapter

Indicator	Function	
POWER (Input Terminal)	G	Lit when power is supplied and the Terminal is operating.
	N	Not lit when power is not supplied.
ERR1/ERR2 (Output Terminal)	N	Not lit when power is supplied and the Terminal is operating without error.
	R	Lit during transmission errors.
	N	Not lit when power is not supplied.

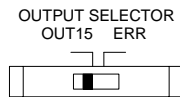
Note: G: Green indicator lit; R: Red indicator lit; N: Not lit

Recommended Solderless Terminals

Wire	JIS specifications
0.75 mm ² (AWG#18)	RAV 1.25 to 3.5 (vinyl-insulated round wire) or RAP 1.25 to 3.5
1.25 mm ² (AWG#16)	(nylon-insulated round wire)

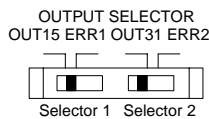
Setting of Output Selector (Output Unit Only)

16-point Terminal Models



Switch	
OUT15	ERR
Set the 16th output to OUT15.	Set the 16th output to ERR (the ERR output is ON only when there is a transmission error).

32-point Terminal Models



Switch 1		Switch 2	
OUT15	ERR1	OUT31	ERR2
Set the 16th output to OUT15.	Set the 16th output to ERR (the ERR output is ON only when there is a transmission error).	Set the 32nd output to OUT31.	Set the 32nd output to ERR (the ERR output is ON only when there is a transmission error).

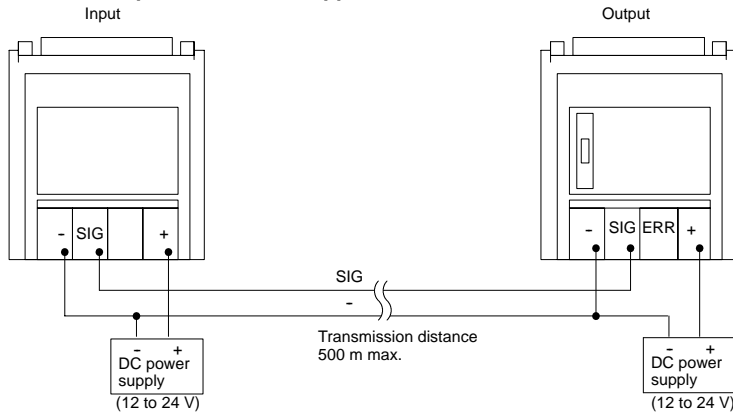
Operation

■ POWER SUPPLY

16-point Terminal Adapters

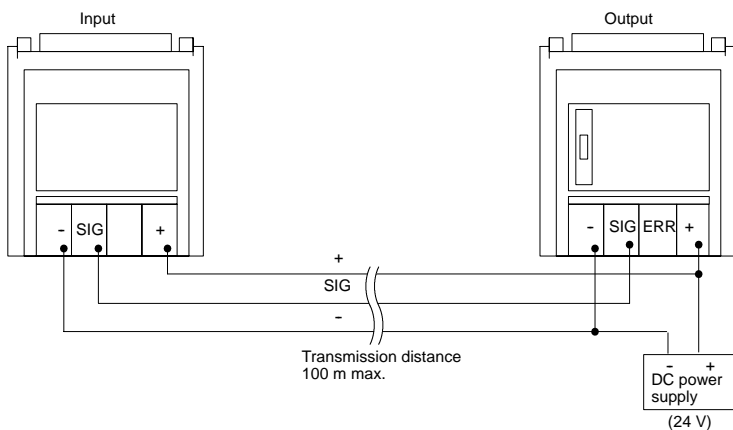
I/O Delay: Normal Speed

Connection of Independent Power Supplies



Note: A twisted pair or VCTF cable with a thickness of 0.75 mm² min. must be used for signal transmission.

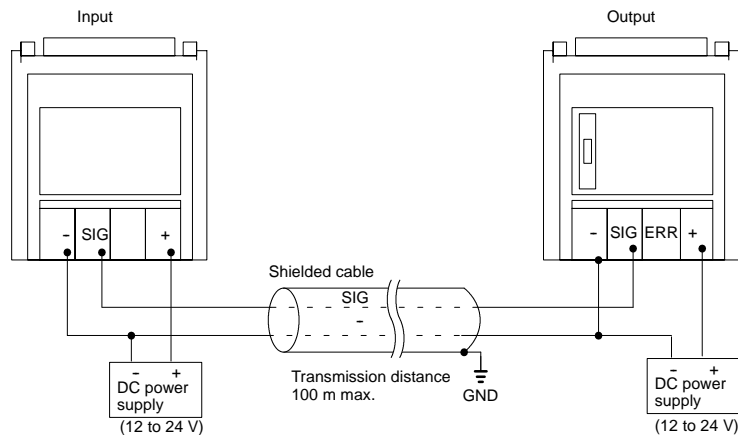
Connection of Single Power Supply to Two Input or Output Terminals



Note: In this example, a twisted pair or VCTF transmission cable with a thickness of 0.75 mm² min. is used, through which a current of 1.8 A max. can be transmitted.

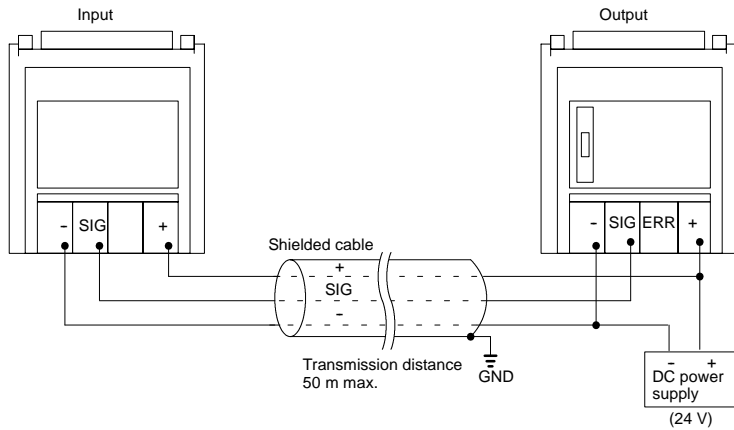
I/O Delay: High Speed

Connection of Independent Power Supplies



Note: A shielded cable with a thickness of 0.75 mm² min. must be used for signal transmission. It is recommended that the shield be grounded.

Connection of Single Power Supply to Two Input or Output Terminals

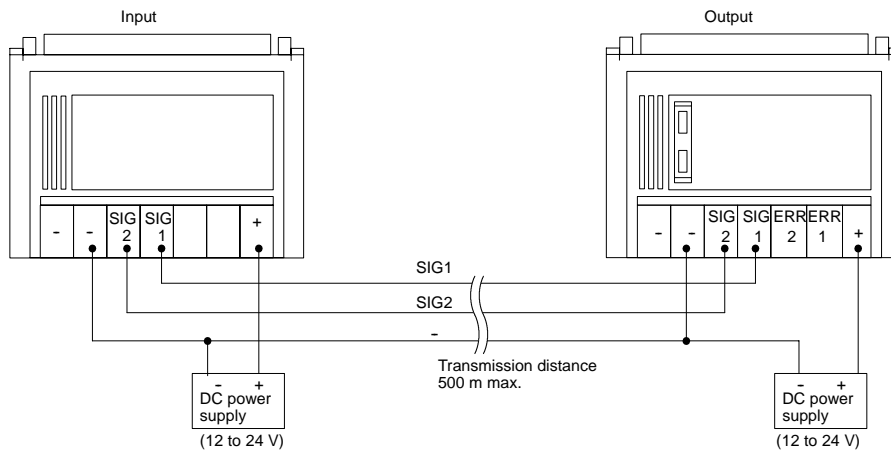


Note: In this example, a shielded transmission cable with a thickness of 0.75 mm² min. is used, through which a current of 1.8 A max. can be transmitted. It is recommended that the shield be grounded.

32-point Terminal Adapters

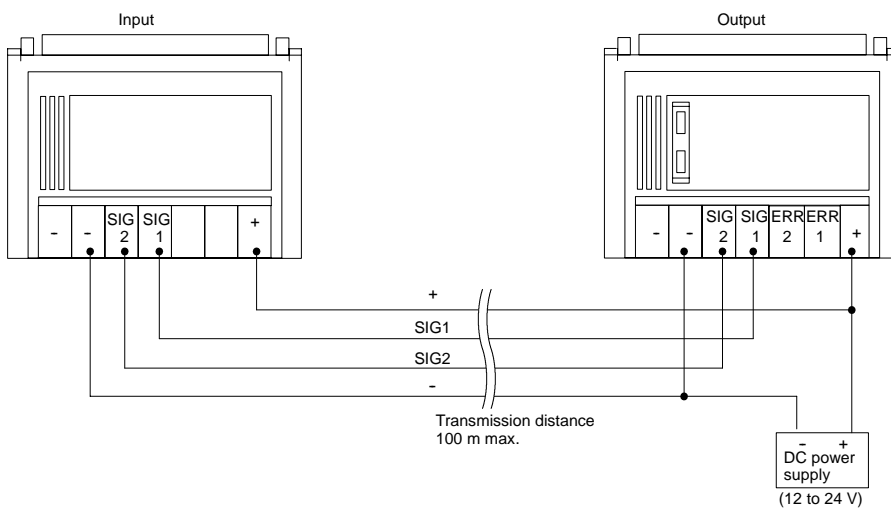
I/O Delay: Normal Speed

Connection of Independent Power Supplies



Note: A VCTF cable with a thickness of 0.75 mm² min. must be used for signal transmission.

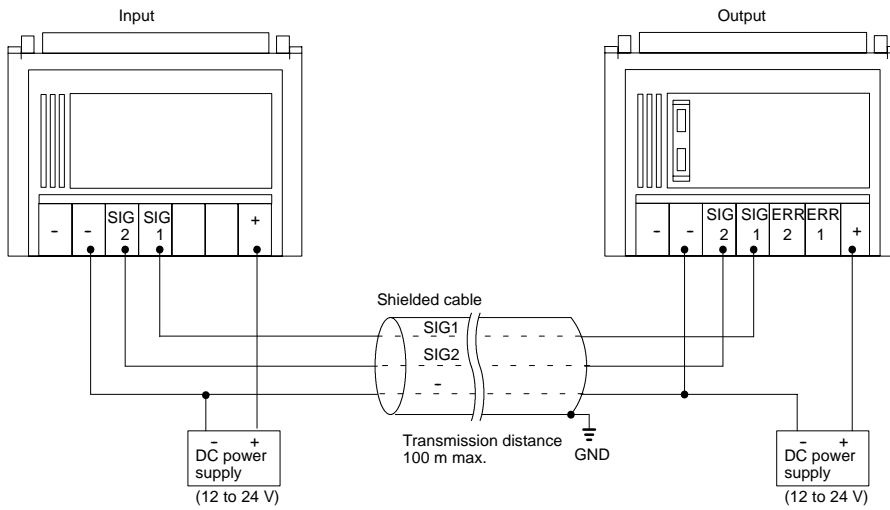
Connection of Single Power Supply to Two Input or Output Terminals



Note: In this example, a VCTF transmission cable with a thickness of 0.75 mm² min. is used, through which a current of 1.8 A max. can be transmitted.

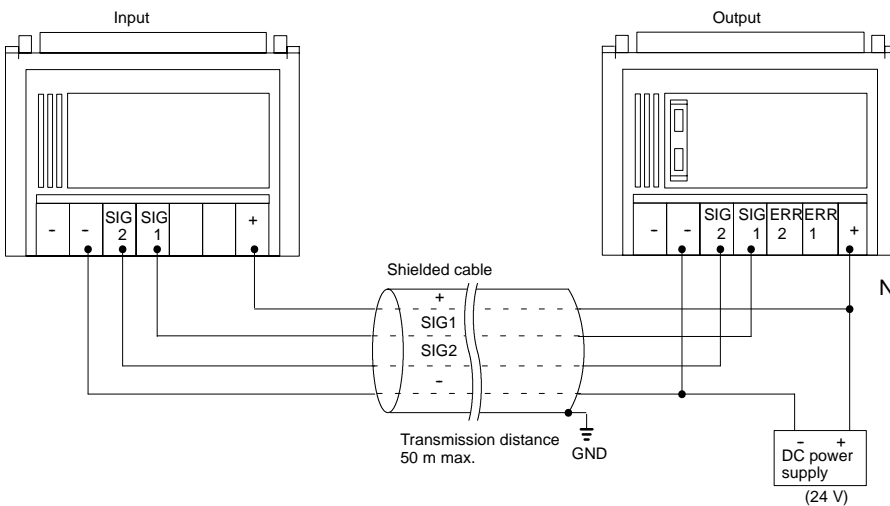
I/O Delay: High Speed

Connection of Independent Power Supplies



Note: A shielded cable with a thickness of 0.75 mm² min. must be used for signal transmission. It is recommended that the shield be grounded.

Connection of Single Power Supply to Two Input or Output Terminals



Note: In this example, a shielded transmission cable with a thickness of 0.75 mm² min. is used, through which a current of 1.8 A max. can be transmitted. It is recommended that the shield be grounded.

■ B7A LINK MASTER ADAPTERS WITH HIGH-DENSITY PLC I/O MODULES

Input

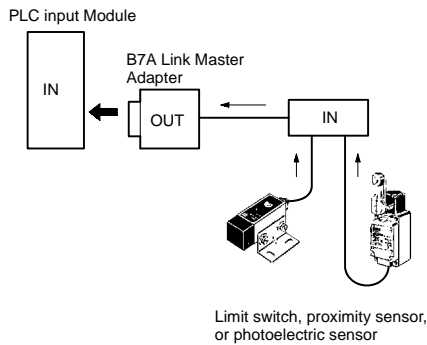
Model	I/O points	I/O delay	Input configuration	CQM1	C200H					C500		
				OD213	MD115	MD215	OD215	OD218	OD219	MD211CN	OD415CN	OD213
B7A-T6E3	16	19.2 ms	NPN compatible	---	Yes	Yes	Yes	---	---	Yes	Yes	---
B7A-T6E8		3 ms		---	Yes	Yes	Yes	---	---	Yes	Yes	---
B7A-T3E3	32	19.2 ms		Yes	---	---	---	Yes	Yes	---	---	Yes
B7A-T3E8		3 ms		Yes	---	---	---	Yes	Yes	---	---	Yes

Output

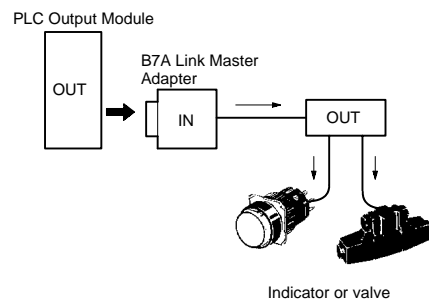
Model	I/O points	I/O delay	Error processing	C200H					C500				CQM1
				MD115	MD215	ID215	ID216	ID217	ID218CN	MD211CN	ID114	ID219	
B7A-R6A13	16	19.2 ms	HOLD	Yes	Yes	Yes	---	---	Yes	Yes	---	---	---
B7A-R6A33			LOAD OFF	Yes	Yes	Yes	---	---	Yes	Yes	---	---	---
B7A-R6A18		3 ms	HOLD	Yes	Yes	Yes	---	---	Yes	Yes	---	---	---
B7A-R6A38			LOAD OFF	Yes	Yes	Yes	---	---	Yes	Yes	---	---	---
B7A-R3A13	32	19.2 ms	HOLD	---	---	---	Yes	Yes	---	---	Yes	Yes	Yes
B7A-R3A33			LOAD OFF	---	---	---	Yes	Yes	---	---	Yes	Yes	Yes
B7A-R3A18		3 ms	HOLD	---	---	---	Yes	Yes	---	---	Yes	Yes	Yes
B7A-R3A38			LOAD OFF	---	---	---	Yes	Yes	---	---	Yes	Yes	Yes

Connection with PLC

- Plug in the B7A Output Adapter to the receptacle on the PLC Input Module



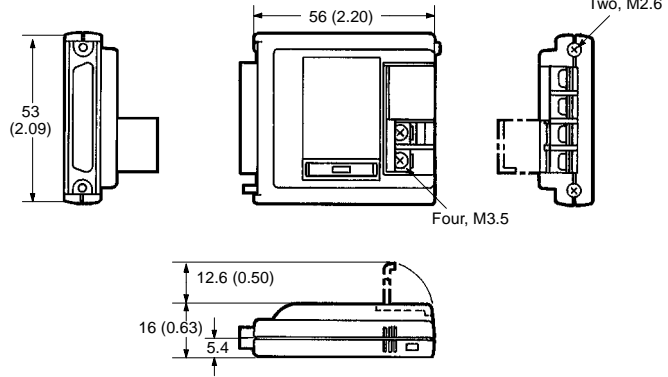
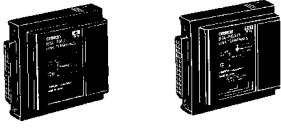
- Plug in the B7A Input Adapter to the receptacle on the PLC Output Module



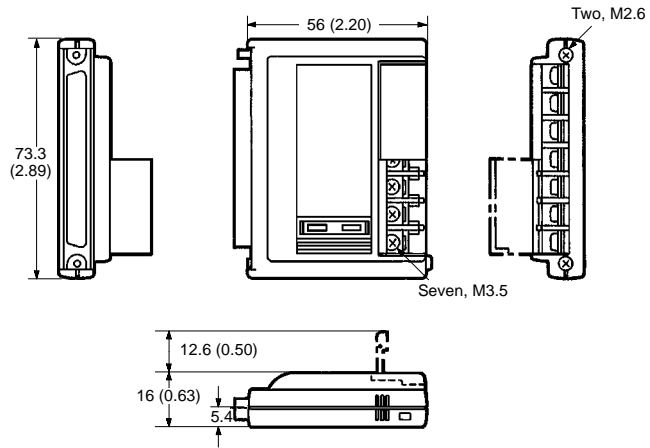
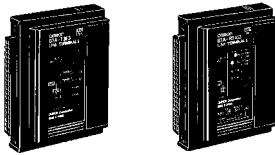
Dimensions

Unit: mm (inch)

16-point Link Master Adapters



32-point Link Master Adapters

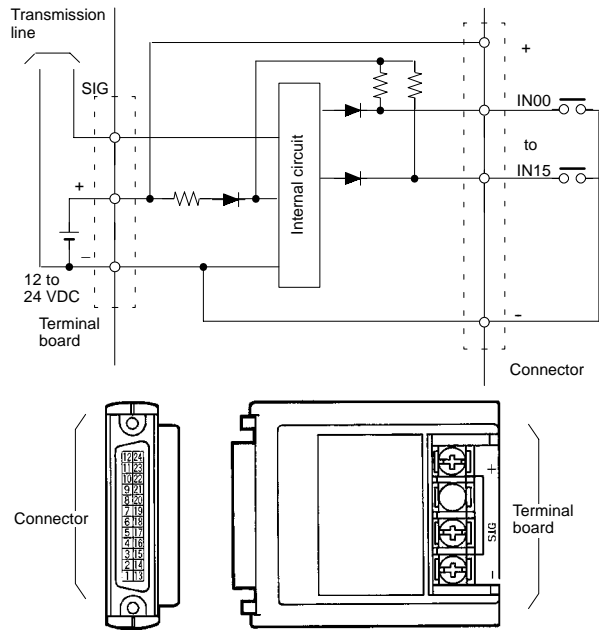


Installation

INTERNAL CIRCUITS AND TERMINAL ARRANGEMENT

16-point Link Master Adapters

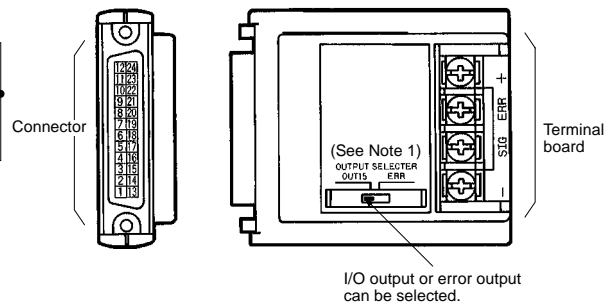
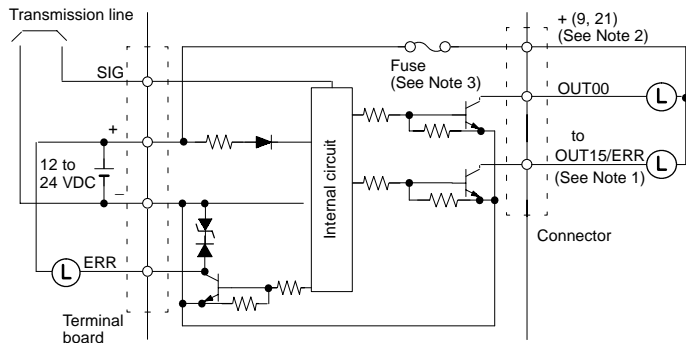
B7A-T6E3/T6E8 (Input, Active Low)



Terminal No.	Terminal	Terminal No.	Terminal
1	IN00	13	IN08
2	IN01	14	IN09
3	IN02	15	IN10
4	IN03	16	IN11
5	IN04	17	IN12
6	IN05	18	IN13
7	IN06	19	IN14
8	IN07	20	IN15
9	-	21	-
10	+	22	+
11	NC (open)	23	NC (open)
12	NC (open)	24	NC (open)

Note: Do not short-circuit the SIG terminal with a positive or negative power supply terminal, or the internal elements of B7A will be damaged and no transmission will occur.

B7A-R6A13/R6A18/R6A33/R6A38 (Output, NPN Open Collector)

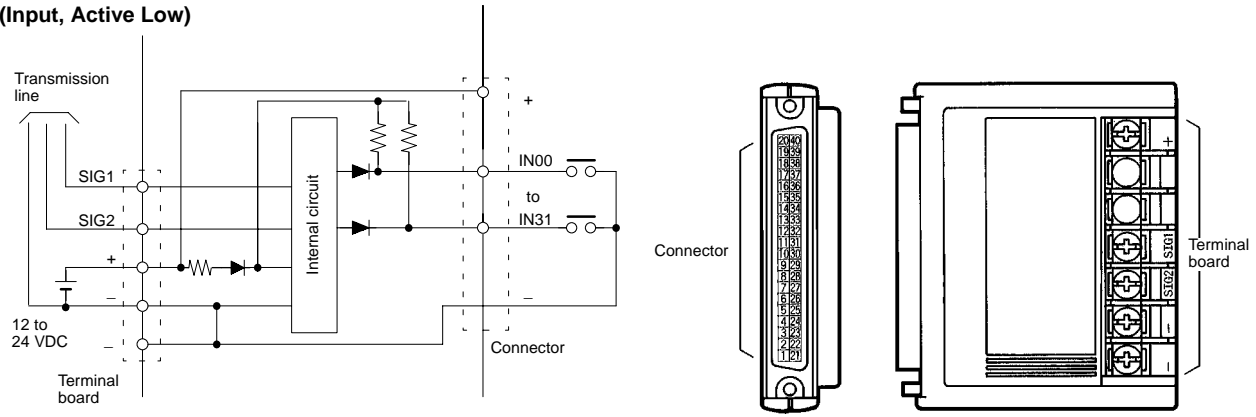


Terminal No.	Terminal	Terminal No.	Terminal
1	OUT00	13	OUT08
2	OUT01	14	OUT09
3	OUT02	15	OUT10
4	OUT03	16	OUT11
5	OUT04	17	OUT12
6	OUT05	18	OUT13
7	OUT06	19	OUT14
8	OUT07	20	OUT15/ERR (See Note 1)
9	+(See Note 2)	21	+(See Note 2)
10	NC (open)	22	NC (open)
11	NC (open)	23	NC (open)
12	NC (open)	24	NC (open)

- Note: 1. It is possible to select 16 I/O points or 15 I/O points and 1 error output point.
 2. A maximum of 0.4 A can be supplied from each positive terminal.
 3. The user cannot replace the fuse.
 4. Do not short-circuit any output terminal with the positive terminal, or the internal elements of the B7A will be damaged.

32-point Link Master Adapters

B7A-T3E3/-3E8
(Input, Active Low)

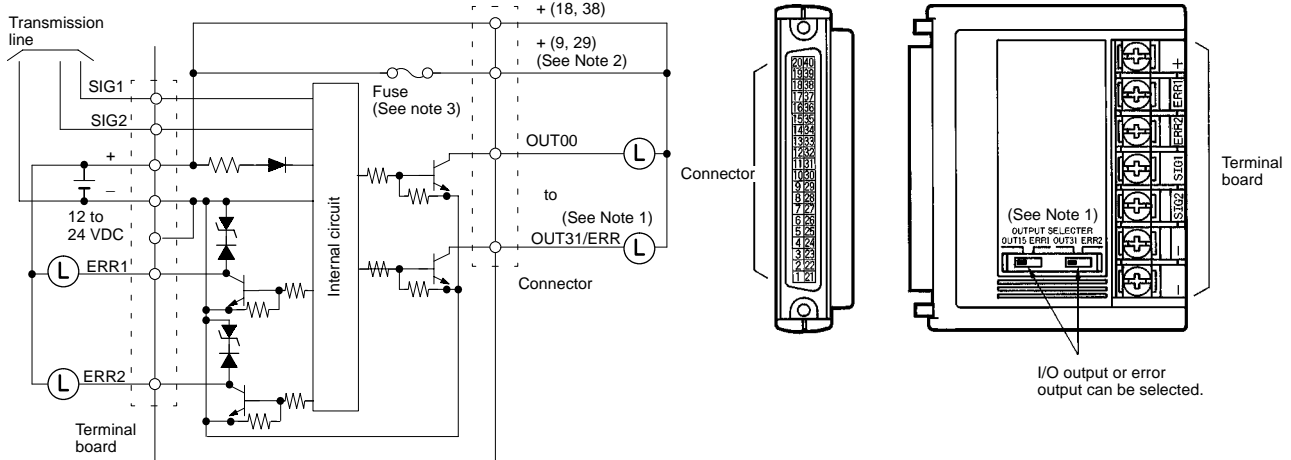


- SIG1: IN00 to IN15
- SIG2: IN16 to IN31

Terminal No.	Terminal	Terminal No.	Terminal	Terminal No.	Terminal
1	IN00	15	IN12	29	-
2	IN01	16	IN13	30	+
3	IN02	17	IN14	31	IN24
4	IN03	18	IN15	32	IN25
5	IN04	19	-	33	IN26
6	IN05	20	+	34	IN27
7	IN06	21	IN16	35	IN28
8	IN07	22	IN17	36	IN29
9	-	23	IN18	37	IN30
10	+	24	IN19	38	IN31
11	IN08	25	IN20	39	-
12	IN09	26	IN21	40	+
13	IN10	27	IN22		
14	IN11	28	IN23		

Note: Do not short-circuit the SIG terminal with a positive or negative power supply terminal, or the internal elements of B7A will be damaged and no transmission will occur.

B7A-R3A13/-R3A33/-R3A18/-R3A38
(Output, NPN Open Collector)



- SIG1: OUT00 to OUT15
- SIG2: OUT16 to OUT31

Terminal No.	Terminal	Terminal No.	Terminal	Terminal No.	Terminal
1	OUT00	15	OUT13	29	+ (See Note 2)
2	OUT01	16	OUT14	30	OUT24
3	OUT02	17	OUT15/ERR (See Note 1)	31	OUT25
4	OUT03	18	+	32	OUT26
5	OUT04	19	NC (open)	33	OUT27
6	OUT05	20	NC (open)	34	OUT28
7	OUT06	21	OUT16	35	OUT29
8	OUT07	22	OUT17	36	OUT30
9	+ (See Note 2)	23	OUT18	37	OUT31/ERR (See Note 1)
10	OUT08	24	OUT19	38	+
11	OUT09	25	OUT20	39	NC (open)
12	OUT10	26	OUT21	40	NC (open)
13	OUT11	27	OUT22		
14	OUT12	28	OUT23		

- Note: 1. It is possible to select 32 output points or 30 output points and two error output points.
 2. A maximum of 0.4 A can be supplied from each positive terminal (9, 29).
 3. The user cannot replace the fuse.

NOTE: DIMENSIONS SHOWN ARE IN MILLIMETERS. To convert millimeters to inches divide by 25.4.

OMRON[®]
OMRON ELECTRONICS, INC.
 One East Commerce Drive
 Schaumburg, IL 60173
1-800-55-OMRON

OMRON CANADA, INC.
 885 Milner Avenue
 Scarborough, Ontario M1B 5V8
416-286-6465