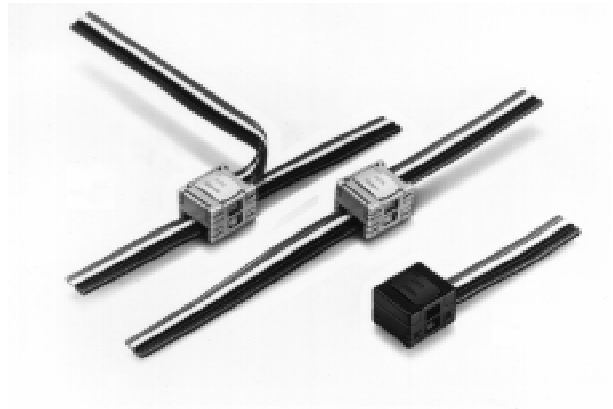


## CompoBus/S Accessories

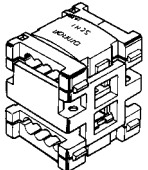
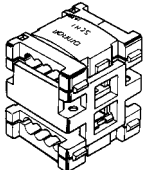

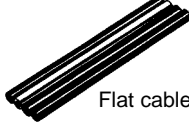
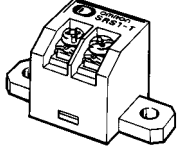
### Connectors, Cables and Terminators Complete an Installation

- Dedicated flat cable and compact branch and extension connectors simplify T-branching and expansion of a CompoBus/S communication system
- Terminators available as connectors and terminal blocks; use one at the end of each branch



### Ordering Information

#### ■ CONNECTORS, CABLE, TERMINATORS

Product	Appearance	Part number
Branch connector	 <p>Sold in packs of 10</p>	SCN1-TH4
Extension connector	 <p>Sold in packs of 10</p>	SCN1-TH4E
Connector terminator		SCN1-TH4T
Communications cable	 <p>Flat cable, 100 m, 4 conductors (0.75 mm<sup>2</sup> each)</p>	SCA1-4F10
Terminal-block terminator		SRS1-T

## ■ DIN RAIL MOUNTING TRACK

Description	Part number
DIN rail track, 7.3 mm (0.29 in) depth; 50 cm (1.64 ft) length	<b>PFP-50N</b>
DIN rail track, 7.3 mm (0.29 in) depth; 1 m (3.28 ft) length	<b>PFP-100N</b>
DIN rail track, 16 mm depth (0.63 in); 1 m (3.28 ft) length	<b>PFP-100N2</b>
End plate	<b>PFP-M</b>
Spacer	<b>PFP-S</b>

## Specifications

### ■ RATINGS/CHARACTERISTICS

<b>Rated current</b>	4 A
<b>Contact resistance</b>	20 mΩ max.
<b>Insulation resistance</b>	1,000 MΩ min. at 500 VDC
<b>Withstand voltage</b>	1,000 VAC for 1 min, leakage current: 1 mA max.
<b>Cable pulling strength</b>	50 N (5.1 kgf) min.
<b>Operating temperature</b>	-20°C to 70°C (-4°F to 158°F)

### ■ MATERIALS

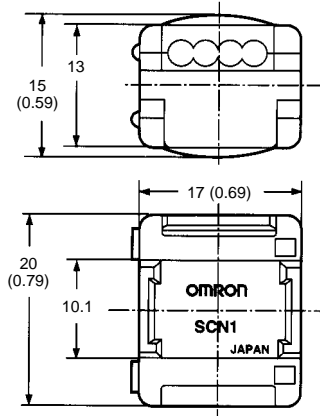
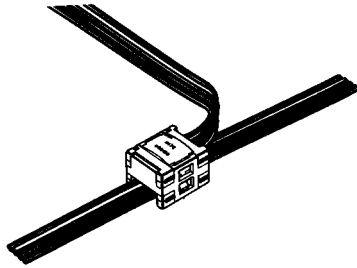
<b>Housing</b>	PA66 resin (UL94V-2)
<b>Cover</b>	Branching and extension: Gray Terminator: Black
<b>Contact</b>	Phosphor bronze and nickel base, tin plated

# Dimensions

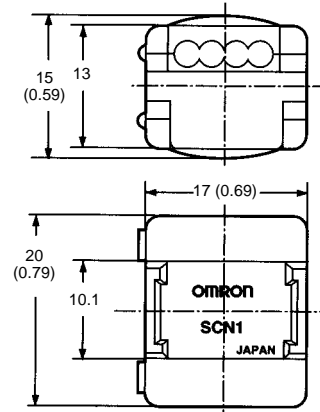
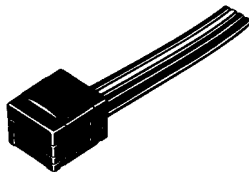
Unit: mm (inch)

## CONNECTORS, CABLE, TERMINATORS

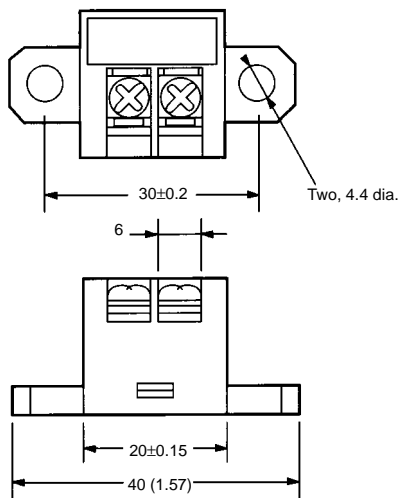
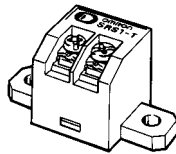
SCN1-TH4 Branch Connector  
SCN1-TH4E Extension Connector



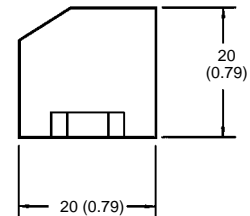
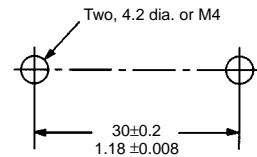
SCN1-TH4T Connector Terminator



SRS1-T Terminal-block Terminator



Mounting Holes

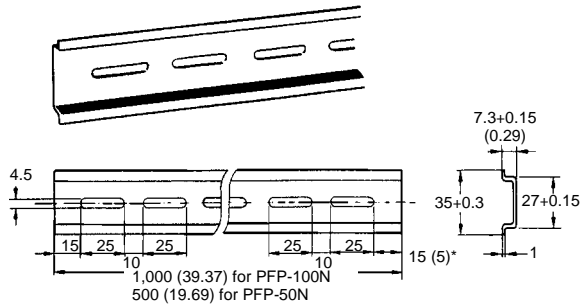


Unit: mm (inch)

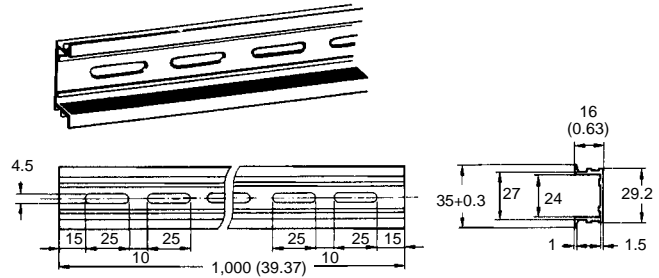
## ■ DIN RAIL MOUNTING TRACK

### Mounting Track

PFP-100N  
PFP-50N

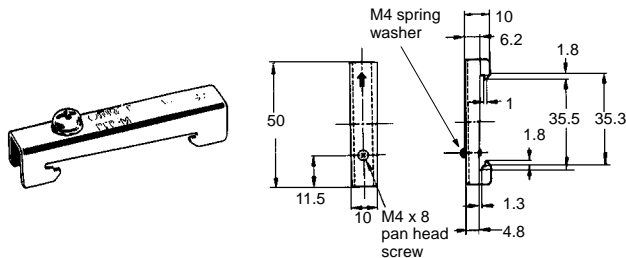


PFP-100N2



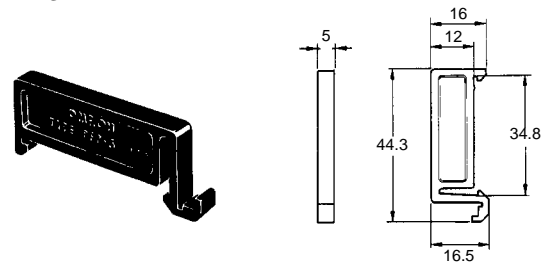
### End Plates

PFP-M



### Spacers

PFP-S



## Precautions

Refer to the *CompoBus/S Operation Manual (W266)* to assemble the connectors and wire the system.

### ■ CORRECT USE

The SCN1-TH4, SCN1-TH4E, and SCN1-TH4T are dedicated connectors for CompoBus/S. Always use dedicated SCA1-4F10 CompoBus/S flat cable with these connectors.

Do not locate the cables in places where excessive force may be imposed on the cable connectors.

These connectors cannot be reused once they have been attached to cables. Use new connectors if they were not attached to cables properly.

**NOTE: DIMENSIONS SHOWN ARE IN MILLIMETERS. To convert millimeters to inches divide by 25.4.**

# OMRON®

OMRON ELECTRONICS, INC.

One East Commerce Drive  
Schaumburg, IL 60173

1-800-55-OMRON

OMRON CANADA, INC.

885 Milner Avenue  
Scarborough, Ontario M1B 5V8

416-286-6465