

MULTILAYER FERRITE CHIP INDUCTOR

AIML-0402



RoHS
Compliant



1.0 x 0.5 x 0.5mm

FEATURES:

- Monolithic construction, compact size, & lightweight
- No cross coupling between inductors due to magnetic shield
- Excellent solderability and heat resistance for reflow soldering

APPLICATIONS:

- Resonance circuit, traps, filter circuits
- Other high frequency circuits
- RF choke, cordless phones, and radio equipment
- High frequency telecommunication circuits

STANDARD SPECIFICATIONS:

Part No.	L(nH)	Tolerance (nH or %)	L,Q Test Freq. (MHz)	Q (MIN)	SRF(MHz) (min)	DCR(Ω) (max)	Ir(mA) (max)
AIML-0402-47N	47.0	J: ±5% K: ±10%	50	10	220	0.45	25
AIML-0402-56N	56.0		50	10	220	0.45	25
AIML-0402-68N	68.0		50	10	210	0.45	25
AIML-0402-82N	82.0		50	10	200	0.45	25
AIML-0402-R10	100.0		25	15	200	0.7	25
AIML-0402-R12	120.0		25	15	165	0.7	25
AIML-0402-R15	150.0		25	15	140	0.9	25
AIML-0402-R18	180.0		25	15	120	1.1	25
AIML-0402-R22	220.0		25	15	110	1.2	25
AIML-0402-R27	270.0		25	15	95	1.2	25
AIML-0402-R33	330.0		25	15	85	1.25	18
AIML-0402-R39	390.0		25	15	70	1.5	18
AIML-0402-R47	470		25	20	68	2	18
AIML-0402-R56	560		25	20	55	2.35	18
AIML-0402-R68	680		25	20	50	2.55	18
AIML-0402-R82	820		25	20	45	3.15	18
AIML-0402-1R0	1000		10	20	40	0.9	15
AIML-0402-1R2	1200		10	20	35	1.2	15
AIML-0402-1R5	1500		10	20	30	1.2	15
AIML-0402-1R8	1800		10	20	30	1.45	15
AIML-0402-2R2	2200		10	20	28	1.75	10
AIML-0402-2R7	2700		10	20	22	2	10
AIML-0402-3R3	3300		10	20	20	2.35	10
AIML-0402-3R9	3900		10	20	18	2.55	10
AIML-0402-4R7	4700		10	20	15	3.15	10
AIML-0402-5R6	5600		4	20	13	2.35	3
AIML-0402-6R8	6800		4	20	11	2.55	3
AIML-0402-8R2	8200		4	20	10	3.15	3
AIML-0402-100	10000		2	20	9	3.45	2

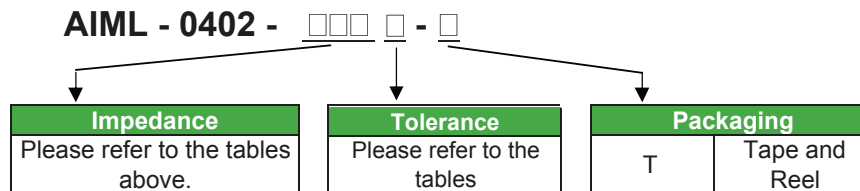
PARAMETERS

ABRACON P/N:	AIML-0402-xxx
Operating temperature:	-55°C to + 125°C
Storage temperature:	-55°C to + 125°C

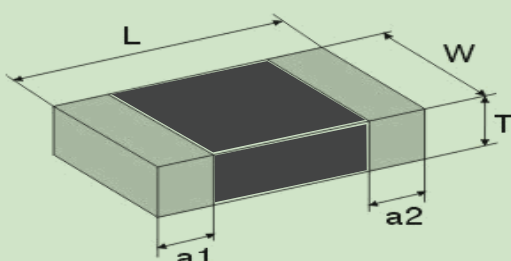
Ir: Inductance change shall be within ±5% when the allowable current is applied

OPTIONS AND PART IDENTIFICATION:

(Left blank if standard)



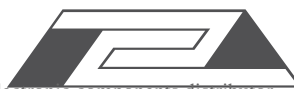
OUTLINE DRAWING:



Dimensions: Inches
(mm)

Series	L	W	T	a1,a2
AIML-0402	0.04±0.006	0.02±0.006	0.02±0.006	0.01±0.004
	(1.00±0.15)	(0.50±0.15)	(0.50±0.15)	(0.25±0.10)

ABRACON IS
ISO 9001 / QS 9000
CERTIFIED



ABRACON
CORPORATION

Visit www.abracon.com for Terms & Conditions of Sale **Revised: 10.10.07**
30332 Esperanza, Rancho Santa Margarita, California 92688
tel 949-546-8000 | fax 949-546-8001 | www.abracon.com

MULTILAYER FERRITE CHIP INDUCTOR

AIML-0402

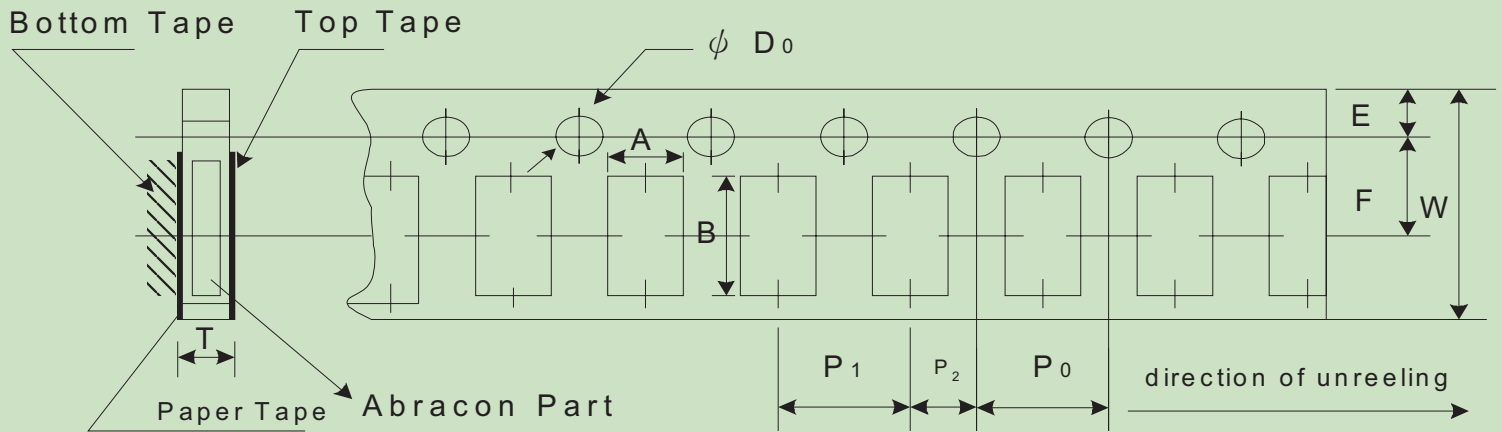


RoHS
Compliant



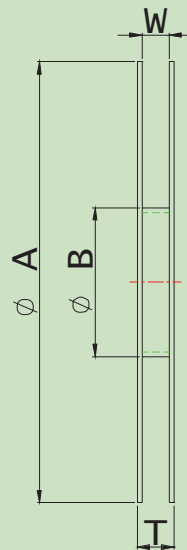
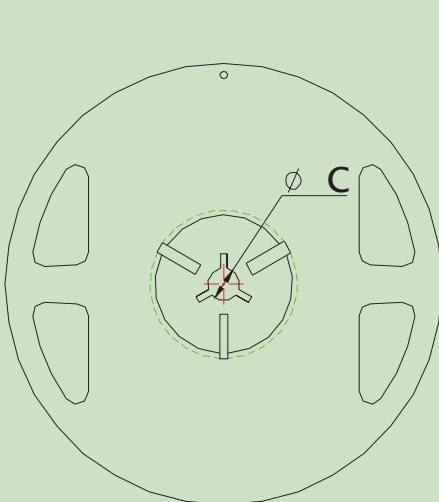
1.0 x 0.5 x 0.5mm

▶ **TAPE & REEL:** Tape and reel 10,000pcs/reel



Codes	A	B	W	E	F
AIML-0402	0.65±0.05	1.30±0.05	8.00±0.10	1.75±0.05	3.5±0.05

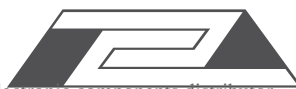
Codes	P ₀	P ₁	P ₂	ΦD ₀	T
AIML-0402	2.00±0.10	4.00±0.05	2.00±0.05	1.55±0.05	0.80±0.05



	mm
A	178±2
B	60±2
C	13.0±0.5
W	10.0±1.15
T	12.0±1.0

Dimensions: mm

ABRACON IS
ISO 9001 / QS 9000
CERTIFIED



ABRACON
CORPORATION

Visit www.abracon.com for Terms & Conditions of Sale **Revised: 10.10.07**
30332 Esperanza, Rancho Santa Margarita, California 92688
tel 949-546-8000 | fax 949-546-8001 | www.abracon.com