

4

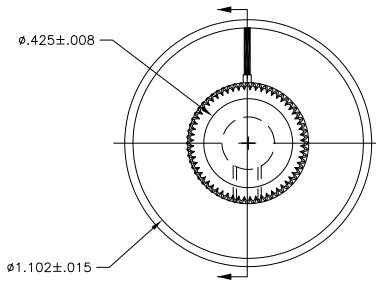
3

2

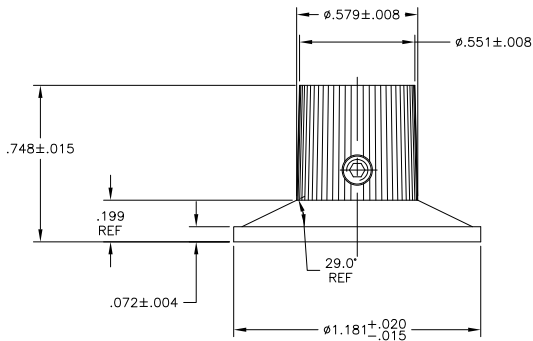
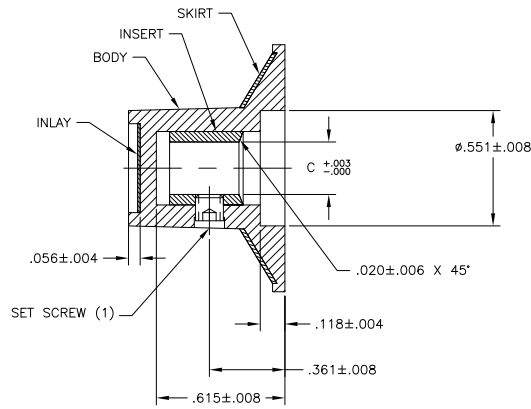
1

THIS DRAWING IS UNPUBLISHED. RELEASED FOR PUBLICATION
 © COPYRIGHT BY TYCO ELECTRONICS CORPORATION. ALL RIGHTS RESERVED.

LOC	DIST	REVISIONS			
P	LNK	DESCRIPTION	DATE	BY	APPD
B2		REVISED PER ECO-08-014695	13JUN08	HMR	MW



9-1437624-8
 [PKS1132B1/4]



- 1 MATERIAL AND FINISH:
 SKIRT AND INLAY: ALUMINUM .016 THK., CLEAR ACRYLIC COATED
 BODY: PHENOLIC, BLACK, HIGH GLOSS FINISH (SPE/SP#A2)
 SET SCREW: 303 STAINLESS STEEL, BLACK ANODIZED
 INSERT: BRASS

2 SET SCREW ARE UNC-2A, CUP POINT, HEX SOCKET TYPE.
 LENGTH TOLERANCE ON ALL SET SCREWS TO BE ±.010.

3 INDICATOR LINE AND NUMBER COLOR: BLACK

4 RETENTION FORCE OF INSERT IN KNOB BODY: 50 LBS MIN.

#6-32 X .125	.251	PKS1132B91/4	1437625-2
#6-32 X .125	.251	PKS1132B51/4	1437625-1
#6-32 X .125	.251	PKS1132B101/4	9-1437624-9
#6-32 X .125	.251	PKS1132B1/4	9-1437624-8

SET SCREW	SHAFT HOLE	MODEL NUMBER	PART NUMBER
2	C		

THIS DRAWING IS A CONTROLLED DOCUMENT.

DESIGNED BY: M. BINNER	DATE: 02APR03	Tyco Electronics Corporation Harrisburg, Pa 17105-3608	
DRAWN BY: [Blank]	DATE: [Blank]	PKS SERIES KNOB	
CHECKED BY: [Blank]	DATE: [Blank]	SIZE: A2	QAGE CODE: 00779
PRODUCT SPEC: [Blank]	APPLICATION SPEC: [Blank]	DRAWING NO: C=1437625-1	RESTRICTED TO: [Blank]
WEIGHT: [Blank]	CUSTOMER DRAWING	SCALE: 1:1	SHEET 1 OF 2

AMP 1471-9 REV 31MAR2000

1437625-1

A

4

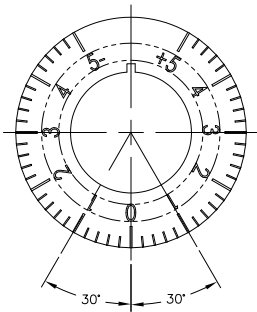
3

2

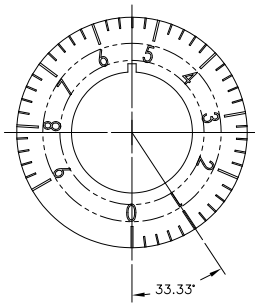
1

THIS DRAWING IS UNPUBLISHED. RELEASED FOR PUBLICATION
 © COPYRIGHT BY TYCO ELECTRONICS CORPORATION. ALL RIGHTS RESERVED.

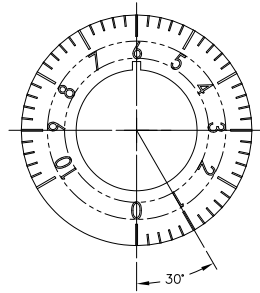
LOC	DIST	REVISIONS		
P	LTR	DESCRIPTION	DATE	BY
AD	0	SEE SHEET 1		



1437625-1
 [PKS1132B51/4]



1437625-2
 [PKS1132B91/4]



9-1437624-9
 [PKS1132B101/4]

THIS DRAWING IS A CONTROLLED DOCUMENT.		BY: M. BILNIE	DATE: 02/19/03	 Tyco Electronics Corporation Harrisburg, Pa 17105-3608
DIMENSIONS: INCHES		CHK: -	APVD: -	
DIMENSIONS: MILLIMETERS OTHER DIMENSIONS: MILLIMETERS		PRODUCT SPEC: -		PKS SERIES KNOB SIZE: A2 CASE CODE: 00779 DRAWING NO: C=1437625-1
0 PLC ± .010 1 PLC ± .010 2 PLC ± .010 3 PLC ± .004 4 PLC ± .010 ANGLES ± .2°		APPLICATION SPEC: -		
MATERIAL: -	FINISH: -	WEIGHT: -		RESTRICTED TO: -
		CUSTOMER DRAWING		SCALE: 1:1 SHEET: 2 OF 2 REV: B2

AMP 1471-9 REV 31MM0200

1437625-1

A