

4

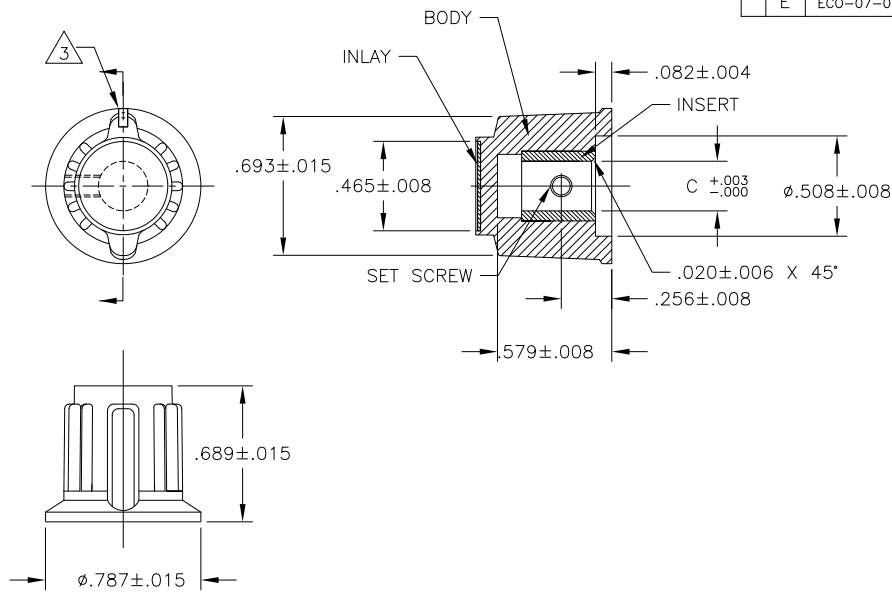
3

2

1

THIS DRAWING IS UNPUBLISHED. RELEASED FOR PUBLICATION
 © COPYRIGHT - BY TYCO ELECTRONICS CORPORATION. ALL RIGHTS RESERVED.

LOC	DIST	REVISIONS			
P	LTR	DESCRIPTION	DATE	DWN	APVD
AD	00	E	ECO-07-011727	27JUN2007	RB MW



- MATERIAL AND FINISH:
 INLAY: ALUMINUM .016 THK., CLEAR ACRYLIC COATED
 BODY: PHENOLIC, BLACK, HIGH GLOSS FINISH (SPE/SPI#A2)
 SET SCREW: 303 STAINLESS STEEL, BLACK ANODIZED
 INSERT: BRASS
- SET SCREW ARE UNC-2A, CUP POINT, HEX SOCKET TYPE.
- INDICATOR, PAINTED FULL, COLOR: WHITE; $.030 \pm .010$ DEEP
- RETENTION FORCE OF INSERT IN KNOB BODY: 50 LBS MIN.

#6-32 X .125	.126	PKAP50B1/8	1-1437624-9
#6-32 X .125	.251	PKAP50B1/4	1-1437624-8
SET SCREW	C	MODEL NUMBER	PART NUMBER
SHAFT HOLE			

DIMENSIONS:		TOLERANCES UNLESS OTHERWISE SPECIFIED:	
INCHES		0 PLC	\pm -
		1 PLC	\pm -
		2 PLC	\pm -
		3 PLC	\pm -
		4 PLC	\pm -
		ANGLES	$\pm 2^\circ$
MATERIAL		FINISH	
-		-	

DWN	M. BINNER	25MAR03	
CHK	-	-	
APVD	-	-	
PRODUCT SPEC	-	-	
APPLICATION SPEC	-	-	
WEIGHT	-	-	
CUSTOMER DRAWING	SCALE 2:1	SHEET 1 OF 3	REV E

SIZE	A3	CAGE CODE	00779	DRAWING NO	1-1437624-8	RESTRICTED TO	-
------	----	-----------	-------	------------	-------------	---------------	---

4

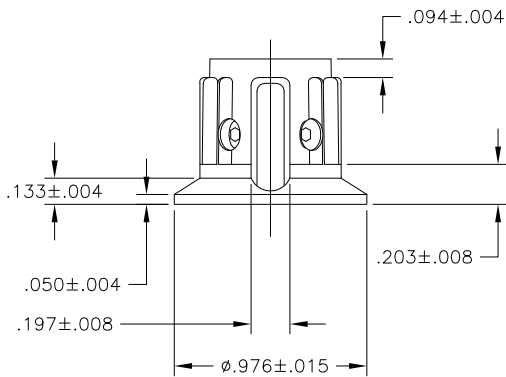
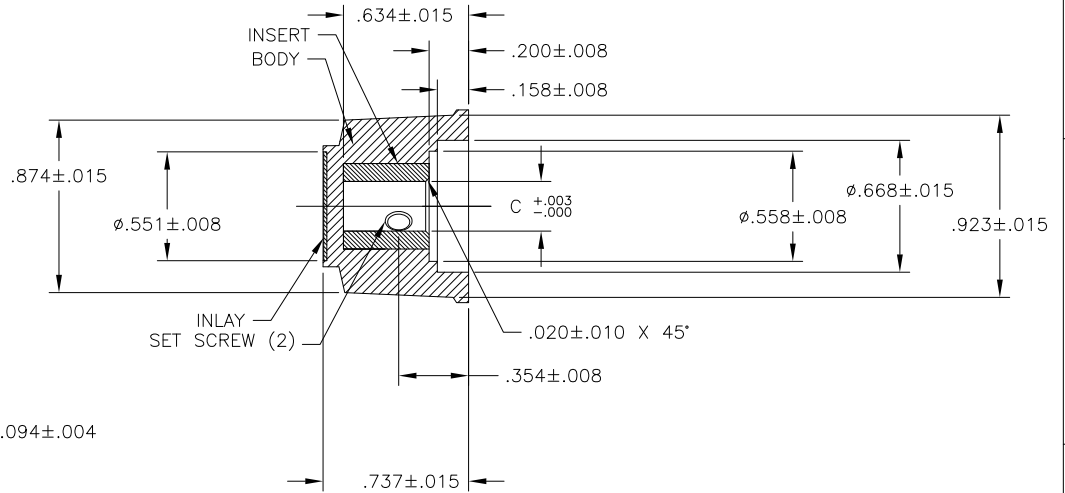
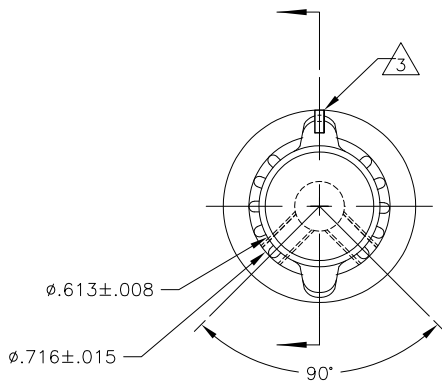
3

2

1

THIS DRAWING IS UNPUBLISHED. RELEASED FOR PUBLICATION
 © COPYRIGHT - BY TYCO ELECTRONICS CORPORATION. ALL RIGHTS RESERVED.

LOC	DIST	REVISIONS			
P	LTR	DESCRIPTION	DATE	DWN	APVD
AD	00	SEE SHEET 1	-	-	-



#6-32 X .188	.251	PKAP70B1/4	2-1437624-0
SET SCREW	C	MODEL NUMBER	PART NUMBER
SHAFT HOLE			

THIS DRAWING IS A CONTROLLED DOCUMENT.		DWN M.BINNER	25MAR03	Tyco Electronics Corporation Harrisburg, PA 17105	
DIMENSIONS: INCHES		CHK -	APVD -	NAME PKA KNOB SERIES STANDARD	
		TOLERANCES UNLESS OTHERWISE SPECIFIED: 0 PLC ± - 1 PLC ± - 2 PLC ± - 3 PLC ± - 4 PLC ± - ANGLES ± 2°		SIZE A3	
MATERIAL -		FINISH -		CAGE CODE 00779	DRAWING NO 1-1437624-8
CUSTOMER DRAWING			WEIGHT -	RESTRICTED TO -	SCALE 1:1
			SHEET 2 OF 3		REV E

AMP 3306-7 REV 31MAR2000

4

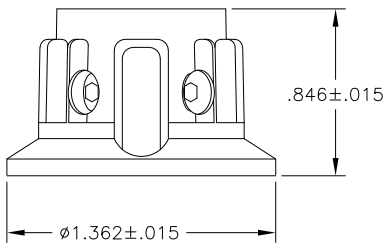
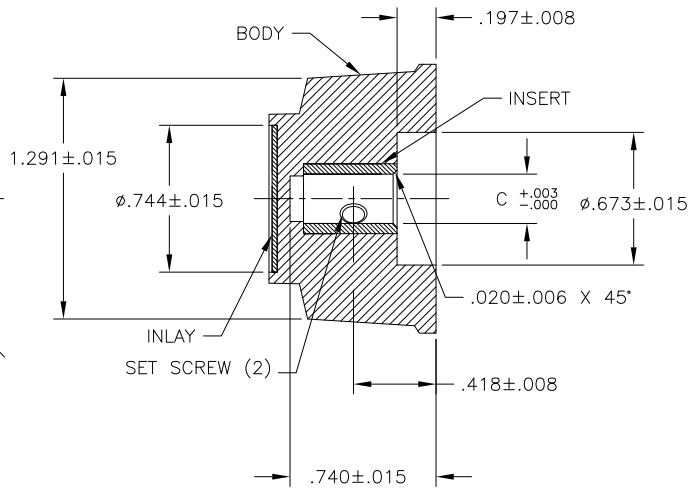
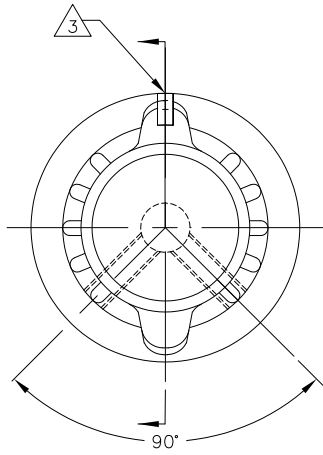
3

2

1

THIS DRAWING IS UNPUBLISHED. RELEASED FOR PUBLICATION
 © COPYRIGHT - BY TYCO ELECTRONICS CORPORATION. ALL RIGHTS RESERVED.

LOC	DIST	REVISIONS			
P	LTR	DESCRIPTION	DATE	DWN	APVD
AD	00	SEE SHEET 1	-	-	-



#6-32	.251	PKAP90B1/4	2-1437624-2
SET SCREW	C	MODEL NUMBER	PART NUMBER
SHAFT HOLE			

THIS DRAWING IS A CONTROLLED DOCUMENT.		DWN	M. BINNER	25MAR03	Tyco Electronics Corporation Harrisburg, PA 17105	
DIMENSIONS:		CHK	-	-	NAME	
INCHES		APVD	-	-	PRODUCT SPEC	
TOLERANCES UNLESS OTHERWISE SPECIFIED:		APPLICATION SPEC	-	-	PKA KNOB SERIES STANDARD	
0 PLC	± .005	WEIGHT	-	-	SIZE	CAGE CODE
1 PLC	± .004				A3	00779
2 PLC	± .003				DRAWING NO	1-1437624-8
3 PLC	± .002				RESTRICTED TO	-
4 PLC	± .001					
ANGLES	± 2°					
MATERIAL	FINISH	CUSTOMER DRAWING		SCALE	1:1	SHEET 3 OF 3
-	-					REV E

AMP 3306-7 REV 31MAR2000