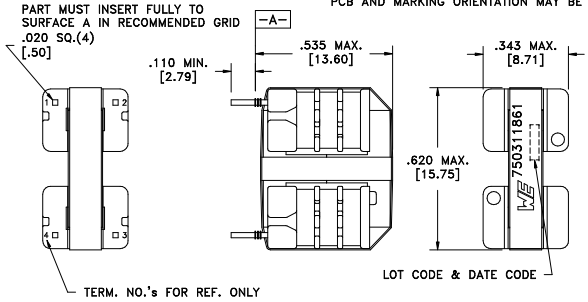


CUSTOMER TERMINAL	RoHS	LEAD(Pb)-FREE
Sn96%, Ag4%	Yes	Yes

more than you expect



PART IS SYMMETRICAL.
PCB AND MARKING ORIENTATION MAY BE ROTATED 180°.



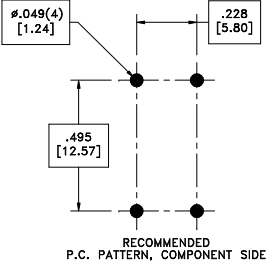
ELECTRICAL SPECIFICATIONS @ 25°C unless otherwise noted:

PARAMETER	TEST CONDITIONS	VALUE
D.C. RESISTANCE	1-2 @20°C	0.7 ohms ±10%
D.C. RESISTANCE	3-4 @20°C	0.7 ohms ±10%
INDUCTANCE	1-2 10kHz, 100mVAC, Ls	2.5mH typ., 1.6mH min.
INDUCTANCE	3-4 10kHz, 100mVAC, Ls	2.5mH typ., 1.6mH min.
SATURATION CURRENT	20% rolloff from initial	800mA
LEAKAGE INDUCTANCE	1-4 tie(2+3), 100kHz, 100mVAC, Ls	300uH min.
SELF RESONANT FREQUENCY		1.5MHz typ.
DIELECTRIC	1-4 1875VAC, 1 second	1500VAC, 1 minute

GENERAL SPECIFICATIONS:

OPERATING TEMPERATURE RANGE: -40°C to +125°C including temp rise.

RATED CURRENT: 760mA causes 40°C temp rise from ambient.



Wire insulation & RoHS status not affected by wire color.
Wire insulation color may vary depending on availability.

REV.	DATE	Packaging Specifications Method: Tube PKG-0789 www.we-online.com/midcom		Tolerances unless otherwise specified: Angles: ±1° Fractions: ±1/64 Decimals: ±.005 [.13] Footprint: ±.001 [.03]	DRAWING TITLE TRANSFORMER	PART NO. 750311861
6A	12/10	SEE REVISION SHEET FOR REVISION LEVEL		This drawing is dual dimensioned. Dimensions in brackets are in millimeters.	eiSos p/n: 750311861	SPECIFICATION SHEET 1 OF 1