

- ▶ Cost effective
- ▶ Low profile
- ▶ Pb Free/RoHS Compliant



CSM-3X Quartz Crystal

The CSM-3X is the miniature low profile resistance weld type SMD quartz crystal. Reduces footprint of CSM-7X (HC-49USX SMD) by 50%.



OPERATING CONDITIONS / ELECTRICAL CHARACTERISTICS

PARAMETERS	CONDITIONS	CSM-3X			UNITS
		MIN	TYP	MAX	
Frequency Range	f_0	12.000		40.000	MHz
Frequency Tolerance	at +25°C			± 30	ppm
Frequency Stability $_{ref @ +25^\circ C}$	Standard -10 to +70°C			± 50	ppm
Shunt Capacitance	C_0			7	pF
Load Capacitance (CL)	Specify in P/N	10	20	Series	pF
Drive Level				100	μW
Operating Temperature	Standard	-10		+70	°C
Storage Temperature		-40		+85	°C
Aging (First Year)	@ +25°C ±3°C			±5	ppm

EQUIVALENT SERIES RESISTANCE/MODE OF OSCILLATION

FREQUENCY RANGE (MHz)	MODE OF OSC	MAX ESR Ω	FREQUENCY RANGE (MHz)	MODE OF OSC	MAX ESR Ω
12.000 ~ 15.999	Fundamental	60	30.000 ~ 40.000	Fundamental	40
16.000 ~ 29.999	Fundamental	50			

PACKAGE DIMENSIONS (mm)

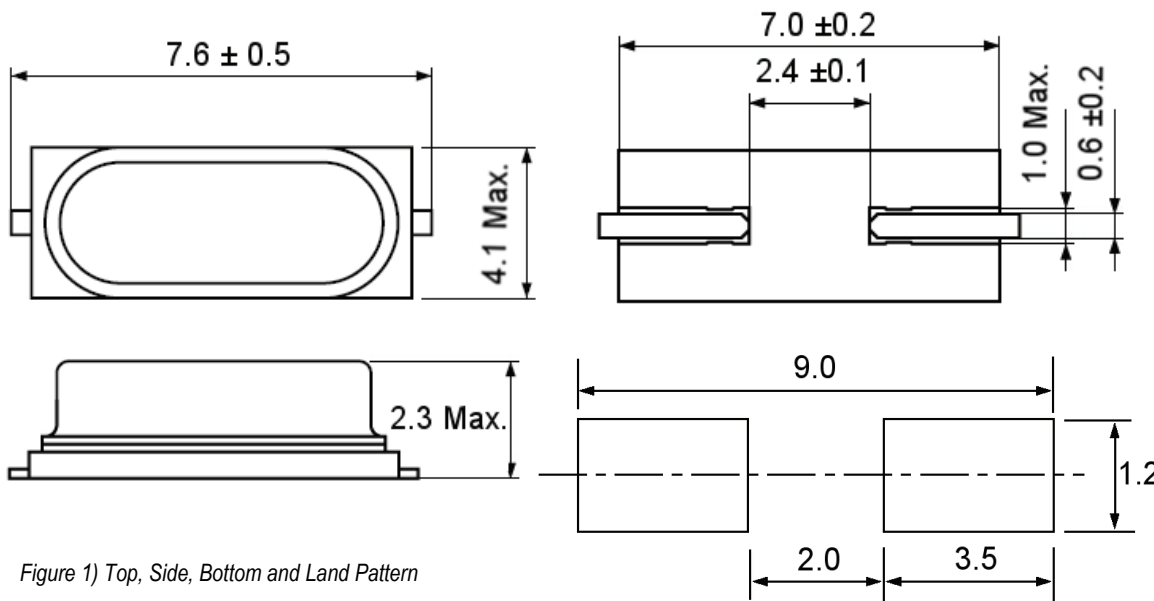


Figure 1) Top, Side, Bottom and Land Pattern

Figure 2) Size Comparison

PART NUMBERING GUIDE: Example ECS-200-20-3X-TR

ECS - Frequency Abbreviation - Load Capacitance - Package

200 = 20.000 MHz
See P/N Guide

20 = 20 pF
S = Series

3X = CSM-3X

Custom Options

Tolerance

Stability

Temp Range

Packaging

A = ±25 ppm
C = ±10 ppm

D = ±100 ppm
E = ±50 ppm
G = ±30 ppm
H = ±25 ppm
*K = ±10 ppm

L = -10 ~ +70°C
M = -20 ~ +70°C
N = -40 ~ +85°C

-TR
Tape & Reel
3K/Reel

* Consult ECS for available temp range options