

Atmel ATF15xx Family: ISP Devices

User Guide



Table of Contents

Section 1

Introduction	1-1
1.1 Benefits	1-2
1.2 Atmel JTAG ISP Interface	1-2
1.2.1 Single-device Programming	1-2
1.2.2 Multiple-device Programming	1-3
1.3 Design Considerations	1-4
1.3.1 JTAG Interface with Atmel-Synario	1-4
1.3.2 JTAG Interface with Atmel-WinCUPL	1-5

Section 2

Atmel-ISP Package Options	2-1
2.1 System Requirements	2-2

Section 3

Atmel-ISP Software	3-1
3.1 ATMISP Commands	3-3
3.1.1 Device Properties Dialog Box	3-3
3.1.2 Description of ATMISP File Menu Commands	3-4
3.1.3 Description of ATMISP Edit Menu Commands	3-6
3.1.4 Description of ATMISP View Menu Commands	3-8
3.1.5 Description of ATMISP Process Menu Commands	3-8
3.1.6 Description of ATMISP Help Menu Commands	3-10
3.2 ATMISP Hidden Commands (Advanced Users Only)	3-10

Section 4

Atmel-ISP Hardware	4-1
4.1 Atmel-ISP Board Description	4-1
4.1.1 Optional Features on Atmel-ISP Board Useful for Prototyping	4-2
4.2 Atmel-ISP Daughter Board	4-4
4.3 Atmel-ISP Cable	4-5

Section 5

Getting Started..... 5-1

- 5.1 In-System Programming Procedure.....5-1
 - 5.1.1 Setting Up the Atmel-ISP Board.....5-1
 - 5.1.2 Setting Up Your Target System.....5-2
 - 5.1.3 Running the Atmel-ISP Software.....5-2
 - 5.1.3.1 Setting Up the Chain File5-2
 - 5.1.3.2 Executing ISP on Atmel ISP Devices.....5-3
- 5.2 Using ByteBlaster/ByteBlasterMV Cable with Atmel ISP Devices5-4
- 5.3 Creating SVF Files.....5-4
- 5.4 Creating Jam Files5-5
- 5.5 Creating PCF Files.....5-5

Section 6

JTAG ISP Guidelines..... 6-1

Section 7

Troubleshooting..... 7-1

- 7.1 ATMISP Messages7-1
 - 7.1.1 Error Messages7-1
 - 7.1.2 Warning Messages.....7-6
- 7.2 Notices7-8

Section 8

Ordering Information..... 8-1



Section 1

Introduction

Traditionally, programmable logic devices have been programmed on external device programmers that provide the necessary programming signals and algorithms to program the devices. With the advent of In-System Programming (ISP), ISP devices can now be programmed on your own circuit board. This manual describes the design methods and requirements for implementing in-system Programming on Atmel ISP Complex Programmable Logic Devices (CPLDs). All devices in the ATF15xx family are ISP capable CPLDs (except ATF1500/A/AL/ABV), and ISP is implemented on these devices through the Joint Test Action Group (JTAG) interface. The following devices are supported by the Atmel-ISP software.

- ATF1502AS/ASL/ASV/ASVL
- ATF1504AS/ASL/ASV/ASVL
- ATF1508AS/ASL/ASV/ASVL

The three essential components for in-system programming are the Atmel-ISP software, ISP hardware board and ISP download cable. These components and their usage will be discussed in detail in this user guide.

In addition to these three components, a JEDEC file is also necessary to program any Atmel ISP devices. This JEDEC file can be created by compiling a design file using a compiler software that supports the Atmel ISP devices. Atmel also provides translator software (POF2JED.EXE) to convert output files from the competitor's programming format to a JEDEC file compatible with the Atmel ISP family of devices. This conversion utility is available on Atmel's web site and BBS. For further information on POF2JED, please refer to the application note, "ATF15xx Product Family Conversion", available on Atmel's web site, BBS and Fax-on-Demand. After you have created the JEDEC files for all Atmel ISP devices, you are ready to program them on your circuit/Atmel-ISP board. Using the Atmel-ISP software, download cable and ISP hardware board, you can program, verify, blank check, erase, secure and read from any Atmel ISP device directly from your personal computer while the devices are still on the circuit boards.

URL: www.atmel.com
BBS: 1-408-436-4309
Fax-on-Demand: 1-800-29-ATMEL/1-800-292-8635 (North America)
1-408-441-0732 (International)

1.1 Benefits In-system programming allows you to program and reprogram devices after they are soldered onto your circuit board. ISP eliminates the extra handling step required in the manufacturing process to program the devices on an external programmer before placing them on your circuit board. Eliminating this step reduces the possibility of damaging the delicate leads of high pin count surface mount devices or damaging the device through electrostatic discharge (ESD). ISP also allows you to make design changes and field upgrades without removing the Atmel ISP devices from the circuit board. In addition, ISP allows you to use your Automatic Test Equipment (ATE) to perform ISP operations on your ISP devices and integrate these ISP operations with the normal production test flow.

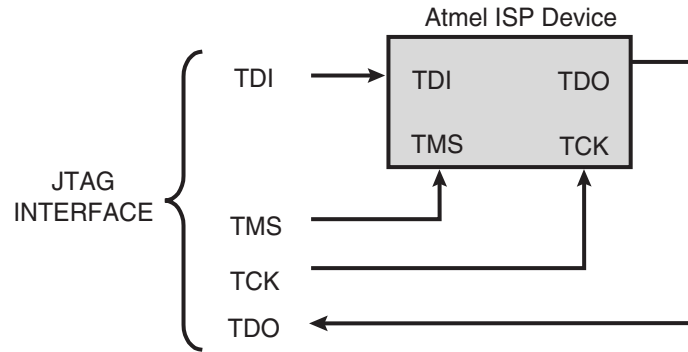
1.2 Atmel JTAG ISP Interface The Atmel JTAG ISP interface is a 4-pin, 3- or 5-volt interface compatible with the Joint Test Action Group (JTAG) IEEE 1149.1a-1993 Standard. All Atmel ISP devices can be programmed, verified and erased through this interface. The JTAG interface is a serial interface consisting of the TCK, TMS, TDI and TDO signals, and a JTAG Test Access Port (TAP) Controller. The TCK pin is the serial data clock. Programming data is clocked by this pin. The TDI pin is the serial data input. It is used to shift programming data into the Atmel device. The TDO pin is the serial data output. It is used to shift out data from the Atmel device. The TMS pin is a mode select pin. It controls the state of the JTAG TAP controller.

Atmel ISP devices are fully JTAG-compatible and support the required Boundary Scan Test (BST) operations specified in the JTAG standard. Atmel ISP devices can be configured to be a part of a JTAG BST chain with other JTAG devices for in-circuit testing of your system board. With this feature, you can test Atmel CPLDs along with other devices without resorting to bed-of-nails testing.

For more information about Atmel ISP, BST or the POF-to-JEDEC translator, please contact Atmel PLD Applications at:

Hotline: 1-408-436-4333
E-mail: pld@atmel.com
URL: www.atmel.com

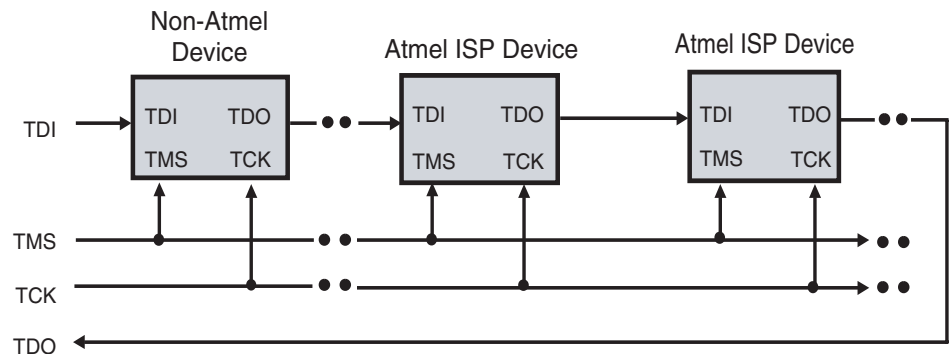
1.2.1 Single-device Programming The Atmel JTAG ISP interface can be configured to program a single Atmel ISP device. The JTAG configuration for a single device is shown in Figure 1-1. When the Atmel ISP device is configured in this way, a register appears between the TDI and TDO pins of the device. The size of the register depends on the JTAG instruction width and the data being shifted in for that instruction. The JTAG interface pins for the Atmel ISP device must be connected to a 10-pin header on your circuit board. This header mates with the ISP download cable and allows the Atmel-ISP software to transfer programming data from your personal computer to the Atmel ISP device. The pinout for the JTAG pins for different Atmel ISP devices is listed in Table 1-1.

Figure 1-1. Single-device JTAG Configuration

Note: You will need to reserve space on your circuit board to accommodate a 10-pin male header for the JTAG interface. The pinout for this header must match the Atmel-ISP cable connector pinout. The JTAG interface pins for each Atmel device must also be connected to this header.

1.2.2 Multiple-device Programming

Atmel ISP devices can be configured as part of a JTAG daisy chain. Once the daisy chain is configured, multiple Atmel ISP devices can be programmed at the same time (Parallel ISP). Figure 1-2 shows the configuration for multiple-device programming.

Figure 1-2. Multiple-device JTAG Chain Configuration

TDI, TMS, TCK and TDO comprise the JTAG interface. The ISP software allows you to create a JTAG daisy chain for multiple devices, including non-Atmel devices, and implement parallel ISP for Atmel devices.

To create a JTAG daisy chain to implement parallel ISP, perform the following steps:

1. Connect the TMS and TCK pin for each device in the JTAG chain to the appropriate pins on the 10-pin header on your circuit board.
2. Connect the TDI pin from the first device to the TDI pin on the 10-pin header.
3. Connect the TDO pin from first device to the TDI pin of the next device. Continue this process until all except the last one are connected.
4. Connect the TDO pin from the last device to the TDO pin on the 10-pin header.

A device residing in any location in the JTAG chain can be programmed exclusive of all others. You can use the Atmel-ISP software to place all other devices except the one to be programmed in the JTAG Bypass mode. When the other devices are placed in this mode, a 1-bit flow-through register appears between the TDI and TDO pins for these devices. During a programming operation, JTAG programming data passes through devices in the JTAG Bypass mode but is loaded into the device that is to be programmed. This allows only the device you want to program to be loaded with JEDEC fuse data.

1.3 Design Considerations

Performing ISP on Atmel ISP devices requires that you reserve design resources for the JTAG interface. You will need to reserve four I/O pins for the TMS, TDI, TDO and TCK pins. The pin numbers for these pins depend on which Atmel ISP device you are using and its package type. Refer to Table 1-1 for pinout information. The JTAG standard also requires that the TMS and TDI pins be pulled up for each device in the JTAG chain. The Atmel ISP devices have an internal pull-up feature for these pins which, when enabled, saves the need for external pull-up resistors. Once you have reserved logic resources for the JTAG interface, you can program, verify and erase any Atmel ISP device using the Atmel-ISP software.

Note: Even though you must reserve certain I/O pins in your design for the JTAG interface, you can still implement buried logic functions in the macrocells associated with these pins.

Table 1-1. Atmel ISP Device JTAG Pinout

JTAG Pin	44-pin TQFP	44-pin PLCC	68-pin PLCC	84-pin PLCC	100-pin PQFP	100-pin TQFP	160-pin PQFP
TDI	1	7	12	14	6	4	9
TDO	32	38	57	71	75	73	112
TMS	7	13	19	23	17	15	22
TCK	26	32	50	62	64	62	99

To use ISP to program Atmel devices, you must enable the JTAG interface. An optional but recommended practice is to also enable the TMS and TDI internal pull-ups. Enabling the JTAG interface requires choosing specific Atmel device types before compiling your design. This procedure is outlined below for Atmel-Synario™ and Atmel-WinCUPL™. If you need to enable Atmel fitter properties for other software platforms, please contact Atmel PLD Applications.

1.3.1 JTAG Interface with Atmel-Synario

To enable the JTAG interface with Atmel-Synario and multi-vendor Synario, you'll need to select an Atmel ISP device type first. You can change fitter property settings to enable the TDI and TMS internal pull-ups or the pin-keeper circuits.

Note: If you use an Atmel ISP device type for a design that uses the JTAG interface pins as logic I/O pins, Atmel-Synario will generate an error.



1. Double-click on the *Device* icon in the **Sources** section of the **Project Navigator**. The **Choose Device** dialog box will open.
2. Click once on *Atmel PLDs*. Click on the *down* arrow to scroll through the device list.
3. Click once on the appropriate Atmel ISP device type to select the device for your design. Refer to Table 1-2 for a list of Atmel ISP device types to choose from.
4. Click *OK* to close the **Choose Device** dialog box. If the **Confirm Change** dialog box appears, click *Yes* to close it.
5. Double-click *Fit Design* in the **Processes** window to run the Fit Design process. If the design fits, the fitter will generate a JEDEC file which, when programmed into the device, will keep the JTAG interface enabled and (optionally) enable the internal TMS and TDI pull-ups and pin-keeper circuits.

Note: Selecting an Atmel ISP device type will automatically enable the JTAG interface by default when Atmel-Synario runs the Atmel device fitter.

1.3.2 JTAG Interface with Atmel-WinCUPL

To enable the JTAG interface with Atmel-WinCUPL and CUPL Total Designer™ software from Logical Devices, you'll need to select an Atmel ISP device type first. You can then change the fitter property settings to enable the TDI and TMS internal pull-ups, or other options. For example, pin-keeper circuits.

Note: If you use an Atmel ISP device type for a design that uses the JTAG interface pins as logic I/O pins, Atmel-WinCUPL will generate an error.

1. For Atmel-WinCUPL V4.8, click once on *Options* from the main menu, then click once on *Select Device*. This will open the **Select Device** dialog box.
For Atmel-WinCUPL V5.1, click once on *Options* from the main menu, then click once on *Compiler*. This will open the **Compiler Options** dialog box. Click once on the *Device* tab to go to the device selection menu.
2. Choose the appropriate Atmel ISP device. Refer to Table 1-2 for a device type listing for Atmel-WinCUPL.

Note: An alternate method is to choose an appropriate Atmel ISP device type from Table 1-2 and include it in the header section of your PLD source file.

3. Click *OK* to close the device selection menu.
4. Click once on *File* from the Atmel-WinCUPL main menu, then click once on *Open*. Select your PLD source file from the appropriate working directory.
5. Click *OK* to open the PLD source file.
6. Click once on *File* from the Atmel-WinCUPL main menu, then click once on *Save*. This will save any changes you made to the source file.
7. Click once on *Run* from the Atmel-WinCUPL main menu, then click once on *Device Specific Compile* (for V4.8) or *Device Dependent Compile* (for V5.1).

8. Atmel-WinCUPL will compile the design and spawn the Atmel device fitter. If the design fits, a JEDEC file is automatically created. When the JEDEC file is programmed into the device, the JTAG interface, (optionally) internal TMS and TDI pull-ups and (optionally) pin-keeper circuits will be enabled.

Note: Selecting an Atmel ISP device type will automatically enable the JTAG interface by default when Atmel-WinCUPL runs the Atmel device fitter.

If you have designs that prevent you from reserving resources for the JTAG interface or you do not wish to use ISP, you must select an Atmel non-ISP device type. See Table 1-2 below for a listing. You can then reprogram the device using an external device programmer.

Table 1-2 shows a list of Atmel ISP and Atmel non-ISP device types for Atmel-Synario and Atmel-WinCUPL.

Table 1-2. Atmel-Synario and Atmel-WinCUPL ISP and non-ISP Device Types

Atmel Device Name	Synario ISP Device Type	Synario non-ISP Device Type	WinCUPL ISP Device Type	WinCUPL non-ISP Device Type
ATF1502 44-pin PLCC	ATF1502-ISP PLCC44	ATF1502 PLCC44	F1502ISPPLCC44	F1502PLCC44
ATF1502 44-pin TQFP	ATF1502-ISP TQFP44	ATF1502 TQFP44	F1502ISPTQFP44	F1502TQFP44
ATF1504 44-pin PLCC	ATF1504-ISP PLCC44	ATF1504 PLCC44	F1504ISPPLCC44	F1504PLCC44
ATF1504 68-pin PLCC	ATF1504-ISP PLCC68	ATF1504 PLCC68	F1504ISPPLCC68	F1504PLCC68
ATF1504 84-pin PLCC	ATF1504-ISP PLCC84	ATF1504 PLCC84	F1504ISPPLCC84	F1504PLCC84
ATF1504 44-pin TQFP	ATF1504-ISP TQFP44	ATF1504 TQFP44	F1504ISPTQFP44	F1504TQFP44
ATF1504 100-pin TQFP	ATF1504-ISP TQFP100	ATF1504 TQFP100	F1504ISPTQFP100	F1504TQFP100
ATF1504 100-pin PQFP	ATF1504-ISP PQFP100	ATF1504 PQFP100	F1504ISPQFP100	F1504QFP100
ATF1508 84-pin PLCC	ATF1508-ISP PLCC84	ATF1508 PLCC84	F1508ISPPLCC84	F1508PLCC84
ATF1508 100-pin PQFP	ATF1508-ISP PQFP100	ATF1508 PQFP100	F1508ISPQFP100	F1508QFP100
ATF1508 100-pin TQFP	ATF1508-ISP TQFP100	ATF1508 TQFP100	F1508ISPTQFP100	F1508TQFP100
ATF1508 160-pin PQFP	ATF1508-ISP PQFP160	ATF1508 PQFP160	F1508ISPQFP160	F1508QFP160



Section 2

Atmel-ISP Package Options

Atmel offers two options for customers who want to implement in-system programming. The **Atmel-ISP kit** is useful for customers who want to implement ISP on their circuit board. The **Atmel-ISP board package** is an in-system programming tool. The contents of each of these two options are listed below.

1. The **Atmel-ISP kit** contains (see Section 8, “Ordering Information” for ordering number):
 - Programming interface software (ATMISP – Atmel-ISP software)
 - Atmel-ISP download cable (DB25-to-10-pin cable)
 - Atmel-ATF15xx Family: ISP Devices User Guide
2. The **Atmel-ISP board package** contains (see Section 8, “Ordering Information” for ordering number):
 - Atmel-ISP board
 - Atmel-ISP download cable (DB25-to-10-pin cable)
 - Programming interface software (ATMISP – Atmel-ISP software)
 - AC/DC adapter and cord (output 9V DC)
 - Atmel-ATF15xx Family: ISP Devices User Guide
 - An 84-pin PLCC socket comes with the Atmel-ISP board to support the 84-pin PLCC ATF15xx devices

Note: Daughter boards can be used in conjunction with the Atmel-ISP board to support all other ATF15xx packages. There are six different daughter boards available to support 44-pin PLCC, 44-pin TQFP, 68-pin PLCC, 100-pin TQFP, 100-pin PQFP and 160-pin PQFP packages.

If you already have the ByteBlaster™ or ByteBlasterMV™ download cable, you can simply download the Atmel-ISP software from Atmel’s web site or BBS and use either the ByteBlaster or ByteBlasterMV to program Atmel ISP devices on your circuit board.

2.1 System Requirements

The Atmel-ISP board operates when connected to a parallel port on a PC station running Windows[®] 3.x, Windows 95, Windows 98, Windows NT[®] 3.x or Windows NT 4.x. The minimum software and hardware requirements for programming the device are as follows:

- Atmel-ISP software (ATMISP.EXE)
- Microsoft Windows 3.x, Windows 95, Windows 98, Windows NT 3.x, or Windows NT 4.x
- 80386/486/Pentium[®]-based PC
- 8M bytes RAM
- Windows-supported mouse
- 5M bytes of free disk space
- Available parallel printer port

Note: Windows 3.x/95/98 and Windows NT3.x/4.x use different versions of the Atmel-ISP software. The install file for the Windows 3.x/95/98 version is **ATMISP.EXE**, and the install file for Windows NT 3.x/4.x is **ATMISPNT.EXE**.

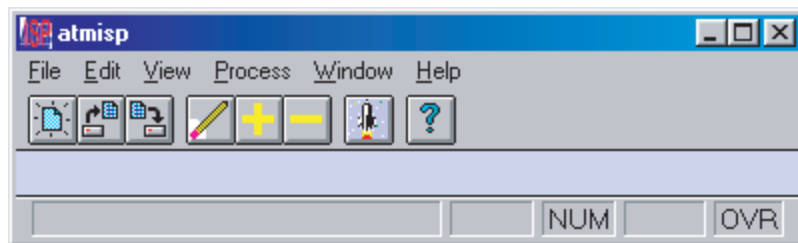


Section 3

Atmel-ISP Software

The Atmel-ISP software, **ATMISP**, is the primary means for implementing ISP on Atmel ISP devices. It can be used from your personal computer to implement ISP or to generate an output file (Serial Vector Format, SVF file) suitable for use on ATE systems. The Atmel-ISP software is a Windows-based program that runs on Windows 3.x, Windows 95, Windows 98, and Windows NT platforms (Windows NT requires a different software package, **ATMISPNT**). If you want to use the Atmel-ISP software to implement ISP from your personal computer, you will need the Atmel-ISP cable. Otherwise, it is not required. To get a copy of the software, you can order it from your local Atmel sales representative or download it from our web site. After you receive the software, you must install it before using. When it is successfully installed, the Atmel-ISP *Program* and *Help* icons are automatically created. Figure 3-1 shows the ATMISP main menu.

Figure 3-1. ATMISP Main Menu



With the Atmel-ISP software you can:

- Program, verify, erase, blank check, read and secure Atmel ISP devices on your circuit board or the Atmel-ISP board
- Implement parallel ISP (program multiple Atmel ISP devices at once) on your circuit board
- Program Atmel ISP devices before using them in your circuit board (requires Atmel-ISP board)
- Program Atmel ISP devices exclusive of other devices
- Generate SVF files for ATE systems (might require translator software utility)

The Atmel-ISP software requires you to create a JTAG chain file, which describes the characteristics of all Atmel and non-Atmel ISP devices configured on your circuit board. You can use the software to add, edit or delete items in the JTAG chain file. Any Atmel ISP device in the JTAG chain can be programmed with this software. You can also

configure an Atmel device in the JTAG Bypass mode to prevent certain Atmel ISP devices from being programmed. Non-Atmel ISP devices **must** be configured in the JTAG Bypass mode.

Once you have configured the JTAG chain, the software will prompt you to link JEDEC files to the appropriate Atmel ISP devices you want to program. The Atmel-ISP software will automatically implement parallel ISP on your circuit board if more than one Atmel device is linked.

The Atmel-ISP software cannot execute different ISP operations for Atmel devices in your JTAG chain. You can only perform the same ISP operation on several devices at the same time. For example, you can erase all devices in the chain at the same time, but you cannot erase one device while programming another in the same JTAG chain. The only exception is the Bypass instruction where it can be used in combination with any other JTAG instruction. For example, you can program the first device and bypass all remaining devices in your JTAG chain.

The Atmel-ISP software, if used with an Atmel-ISP board, can perform programming operations on only **one** device at a time. Attempting to use the software with the Atmel-ISP board to program multiple devices will generate an error. A customer's circuit board is required to program multiple devices via ISP.

Before running ATMISP, make sure to apply power to your circuit board or the Atmel-ISP board before attaching the 25-pin connector on the ISP cable to your PC. If you get the message "Check board, chips and power supplies," that means the ATMISP software is not able to communicate with the ISP hardware properly. For more information, please refer to Section 7, "Troubleshooting".

The ATMISP software allows you to use either the Atmel-ISP cable or the ByteBlaster/ByteBlasterMV cable to program the Atmel ISP devices. Refer to the "ATMISP Commands" section for more information on how to select the appropriate download cable type.

The ATMISP software also allows you to generate Serial Vector Format files. ATE vendors that support the SVF file format can execute ISP on Atmel ISP devices only. If you need to program devices from different vendors with a single SVF file, you'll need to use third-party software that supports these features. Translator software utilities such as the Atmel SVF2PCF translator and SVF2JAM™ are available to convert the SVF files into the appropriate format files to be used by different ATE systems. Contact Atmel PLD Applications for more information.

- 3.1 ATMISP Commands**
- The **Device Properties** dialog box will appear when you are creating a new chain file or editing an existing chain file. This dialog box allows you to specify the ISP operation you want to perform for each Atmel ISP device in your JTAG hardware chain. Some of the ISP commands and operations available on the Atmel-ISP software are discussed below. There is also an online help available for all the commands discussed below. Just click on *Help...Contents* from the Atmel-ISP software main menu.
- 3.1.1 Device Properties Dialog Box**
- The five sections of the **Device Properties** dialog box are outlined below.
- **Device Type** – Click to choose a specific Atmel ISP device. If there are non-Atmel ISP devices in your chain, you **must** select *Unknown*.
 - **JTAG Instruction Width** – This dialog item defaults to 10 bits, and all Atmel ISP devices have 10-bit JTAG instruction width. Some non-Atmel ISP devices may have JTAG instruction widths different from the default value. Make sure to specify the correct instruction width for those devices.
 - **IDCODE Register Option** – Make sure this option is always selected before executing any ISP operation on Atmel devices. Some non-Atmel ISP devices do not power-up with the IDCODE register available. Deselect this option for these devices.
 - **JTAG Instruction** – This dialog box specifies the ISP operation to be performed. All JTAG operations are listed below:
 1. *Bypass* – This instruction bypasses the selected device from responding to ISP operations. It is required for all non-Atmel ISP devices in your JTAG hardware chain.
 2. *Program/Verify* – This instruction will erase, program and verify the Atmel ISP device.
 3. *Erase* – Erases the appropriate Atmel ISP device. This is the recommended state for all Atmel ISP devices prior to programming.
 4. *Blank Check* – This operation checks to see if a device is blank. If it isn't, an error will be generated. Devices previously secured may pass Blank Check. However, this does not mean that they are blank. To unsecure a device, simply erase it.
 5. *Verify* – This operation performs a fuse verify on the device. The JEDEC data programmed into the device is compared with the JEDEC file. If the fuses do not verify, an error message is generated.
 6. *Load* – Loads the fuse data programmed in the Atmel ISP device into RAM. If you specify a JEDEC file with this command, the fuse data is saved to that file.
 7. *Secure* – Secures the Atmel ISP devices to prevent unauthorized loading of their fuse data.
 8. *Program/Verify/Secure* – This ISP operation will program, fuse verify, secure and then verify that the device is secured.
 9. *Verify Secure* – This operation will verify that an Atmel ISP device is secured. Verify Secure can be performed on only one device at a time. All other ISP devices in a multi-device chain system should be set to the Bypass mode.
 - **JEDEC File Name** – This dialog box specifies the JEDEC file and its directory that is linked to the ISP device. For the Program, Program/Verify, Program/Verify/Secure, Verify and Load commands, you must specify a JEDEC file. To select a JEDEC file, click on the *Browse* button. The ISP software will prompt you to browse the

appropriate file directory where the JEDEC file is located. When you are done, click *OK*. The path for the JEDEC file will be highlighted in this dialog box.

Once you have entered all of the above information, click *OK* to close the dialog box. These operations will be updated in your chain file. If you have a chain file for more than one device, this dialog box will reappear until information about all devices is entered. If you need help at any time, click *Help* to open this Help topic.

3.1.2 Description of ATMISP File Menu Commands

New This command allows you to create a new chain file. The chain file is needed so that you can execute ISP operations for the Atmel ISP device(s) in the JTAG chain on your circuit board or ISP board. After you execute this command, the ISP software will prompt you to specify the number of devices in your JTAG chain.

Note: If you are using the Atmel-ISP software with the Atmel-ISP board, you must enter 1 at this prompt.

Open This command opens an existing chain file. The software will prompt you to either enter the name of the chain file or to browse to the appropriate directory where it is located. The software defaults to defining the chain file with a *.chn suffix. Once the chain file is open, it is ready to be executed by the ISP software to perform ISP operations on your JTAG device chain.

Close This command allows you to close an already-open chain file. Only one chain file can be opened at a time. To open a new chain file you must use this command to close the existing one so that a new chain file can be used. If you attempt to close an open chain file without saving it, the ISP software will prompt you to save it first. If you click *No*, the chain file is lost and you will have to enter new information.

Save This command allows you to save an open chain file for use at a later time. It is recommended that you always save your chain file after you have entered the ISP operations you want to perform for all devices in your JTAG chain.

Save As This command allows you to save a chain file with a different file name than the default name chosen by the ISP software.

Port Setup This command allows you to specify a parallel port address that is different from the default port setting (LPT1 - 378H) specified by the software. The software will prompt you to select LPT2 (278H). If your port address isn't one of these addresses, click *No* and enter the new port address you want the software to use. The port setting will remain in effect until you change it or until the software is closed.

If your computer's BIOS is set to AUTO, you may have some problems getting the ISP software to communicate with your target system. Change your BIOS setting to either the ECP or EPP mode. Another option is to use Windows 95/98 to configure the correct ECP or EPP driver. Windows NT 3.x and above requires a separate installation of the ISP software (ATMISPNT) to communicate with the parallel port.

Note: To quickly determine what the parallel port address setting is, execute the View Chain File command to see your chain file. The port address will be shown in the top left-hand corner.

Self-Calibrate This option is intended to help you if you are having problems getting the Atmel-ISP software to communicate between your PC's parallel port and either your circuit board or the Atmel-ISP board. When this option runs, the software dynamically adjusts the communication speed between the parallel port on your PC and the Atmel ISP devices in your JTAG chain.

If the self-calibration process is successful, the software was able to find a reliable transfer speed to communicate with your hardware. It will save this transfer speed as long as the main menu remains open. If you save your chain file after running the Self-Calibrate option, the transfer speed will also be saved. Therefore, the next time you run the software with this chain file, it will communicate at the specified transfer speed in the chain file.

If the self-calibration process fails, the software automatically selects the slowest transfer rate. It will use this rate for all further ISP operations unless the self-calibration process is repeated and the software selects a faster transfer rate. If you do not use this option, the software defaults to using the fastest transfer speed to communicate with your hardware.

With V3.00 or later ATMISP software versions, this self-calibration process will be automatically run when a chain file is executed for the first time.

Manual Calibration This option is available in V3.00 or later software versions. It allows you to directly control the transfer speed of the data between the parallel port on your PC and the JTAG device on your board. This feature is useful when you are trying to communicate with your board with a long (greater than 3 feet) parallel port cable.

Long cables can reduce signal rise and fall times and possibly create crosstalk between JTAG interface signals. The combination or individual contribution of these effects may cause programming or verify errors. Using the Manual Calibration setting allows you to adjust the transfer rate to minimize these effects from interfering with programming. There are 4095 settings to choose from: 1 is the fastest setting and 4095 is the slowest.

To use this feature, select this command and enter a number between 1 and 4095. The default value is 1. The value selected will be displayed as the calibration constant in the **Chain File** window. If you are using a previously saved chain file, the Atmel-ISP software will retain your calibration setting. Otherwise, it will default to using the fastest speed.

Exit This command exits the ISP software. If your chain file was not saved before exiting, the ISP software will prompt you to save it. If you click *No*, the chain file contents will be lost.

3.1.3 Description of
ATMISP Edit Menu
Commands

Add Device

This command allows you to add devices to an open chain file. When this command is executed, the Device Properties dialog box will be displayed, prompting you to enter the ISP operations you want to perform on the new device. After completing this information, click OK on the dialog box. The ISP software will then append information about the new device to the existing chain file.

Before you can use this command you must solder a new Atmel ISP device and connect it to your existing JTAG hardware chain on your circuit board. The device type, its position in the chain, the JEDEC file used and JTAG instruction width must all be specified in the **Device Properties** dialog box.

The ISP software requires you to enter this information for all devices in your JTAG hardware chain whether they are Atmel or non-Atmel ISP devices. This is necessary so the software can perform the right ISP operation on the right device on your circuit board.

Edit Device

This command allows you to edit the device information in an open chain file. You can use this command if you want to change the ISP operations you want to perform. A prompt will appear asking you to enter the device number in the JTAG chain that you want to modify. After you enter the device number, the **Device Properties** dialog box will reappear. You can then change the ISP operations for the appropriate device. Click *OK* when done. The ISP software will automatically update your chain file.

Delete Device

This command deletes devices from an open chain file. When this command is executed, it will prompt you to enter the device numbers you want to delete. Click *OK*. The chain file will be updated and devices renumbered automatically. Before you can use this command, you must remove the Atmel devices you want to delete from the JTAG chain on your circuit board. The device type, its position in the chain, the JEDEC file used and the JTAG instruction width must all be specified in the **Device Properties** dialog box. These must match your JTAG hardware chain on your circuit board. To correctly use the ISP software, you must specify information about all devices in your JTAG chain, including non-Atmel devices.

Atmel-ISP software versions V2.99 and later allow you to edit device properties more easily. To **edit** a chain, you can perform the following:

1. View your chain file. You can either select it from your Windows Taskbar or select *View..Chain File* from the main menu.
2. Select the device and/or operation you want to change. The line you select will be highlighted.
3. Double-click with the left mouse button.
4. The **Device Properties** dialog box for the appropriate chip will appear. For example, if you have a 2-device chain, select *Chip 1* and do a double-click with the mouse button, the **Device Properties** dialog box for Chip 1 will appear.
5. Change the properties for the device accordingly and click *OK* when you are done.
6. The chain file will be automatically updated to reflect the changes you made. It is recommended that you save your chain file before you exit the ISP software. The software will prompt you to save it before exiting.

To **add** device(s) to a chain in Atmel-ISP V2.99 and later, you can perform the following:

1. Follow steps 1 and 2 above.
2. To insert a device before the chip you've selected, press the [Insert] key. The **Device Properties** dialog box for the new device will appear. Enter the appropriate ISP operations and other information you need to specify for that device.
3. The new device's properties will automatically be updated in the chain file. The chip number in your chain will also be adjusted accordingly.

To **remove** device(s) from a chain in Atmel-ISP V2.99 and later, you can perform the following:

1. Follow steps 1 and 2 in the "Edit Device" section above.
2. Follow step 2 of the "Add Device" section above except press the [Delete] key. The software will prompt you on whether you want to delete the device from your chain.
3. Select *Yes* on the Delete Device prompt. Selecting *No* will cancel the delete operation.
4. Your chain file will be automatically updated to reflect the new device configuration you have specified.

Note: Be careful when you execute any Add or Remove operations to a chain file. Since these operations change the number of devices in your chain file, the JTAG hardware chain on your circuit board *must* match your chain file in number and type(s) of devices.

3.1.4	Description of ATMISP View Menu Commands	View Chain File	<p>Use this command to view the contents of a chain file. The chain file will show the following information:</p> <ul style="list-style-type: none">■ The chain file name■ The parallel port used (e.g., Port 1 corresponds to LPT1)■ The cable type used (if the ByteBlaster/ByteBlasterMV cable type is selected)■ The calibration value■ The device number (position of device in the JTAG hardware chain)■ The device type■ JEDEC file used for each device (if appropriate)■ ISP operation performed for each device■ Warning message indicating the IDCODE box has not been checked in the Device Properties dialog box for an Atmel device (this only appears when the IDCODE box has not been checked in the Device Properties dialog box for an Atmel device) <p>The View Chain File command gives you a snapshot of all the device information stored in the chain file before you execute it. Make sure that this compares exactly to the ISP device(s) in the hardware chain. If there are discrepancies, use the Edit Device, Add Device or Delete Device command to modify the chain file.</p> <p>Atmel recommends that you view your chain file prior to executing it. This will assure that you are programming the right device with the right instruction in the correct order on your JTAG hardware chain.</p>
		Log File	<p>This command opens a log file that shows you the status of all ISP operations after they were executed in your chain file. For example, if you executed a programming operation, it will indicate whether it passed or failed and the checksum read from the device. For other operations not involving a JEDEC file, the log file will indicate success or failure of the ISP operation.</p>
3.1.5	Description of ATMISP Process Menu Commands	Run	<p>This command executes the operations specified in your chain file. If there is more than one device specified in your chain file, the ISP software will execute the same operation on all devices in parallel.</p> <p>You cannot mix different ISP operations on different devices. For example, you cannot erase one device while verifying another. If you do so, the ISP software will generate an error. However, you can execute the same ISP operation on several devices while putting other devices in the Bypass mode.</p> <p>Do not execute the Verify Secure command on more than one device. It will generate incorrect results.</p>

Options

This command allows you to choose from the following options when executing your chain file:

- Writing to SVF file instead of LPT port. – If you select Yes for this option, the ISP software will stream its programming information to an SVF (Serial Vector Format) file instead of to the parallel (LPT) port. The SVF format is an industry-standard format used by a variety of ATE (automated test equipment) vendors to program ISP devices in a production environment. In addition, an SVF file can be used in conjunction with conversion utilities to generate the proper format files required by the ATE vendors.

The ISP software will generate an SVF file for Atmel devices only. All other devices need to be placed in the Bypass mode. The SVF file will include whether the IDCODE register is available on power-up, the JTAG instruction width, programming algorithm and any Atmel-specific ISP instructions and programming data to be downloaded to Atmel ISP devices.

If you want to program devices from multiple vendors with the same SVF file, you will need to use external JTAG boundary scan software, which offers the capability of configuring multiple vendor device JTAG chains and executing ISP operations on these devices from one SVF file.

If you want to perform JTAG boundary scan operations on Atmel or other devices, you also will need to use external boundary scan software to configure your BST chain and create an output file supported by your ATE environment.

Note: Contact Atmel PLD Applications if you need a vendor list that supports SVF or if you need more information.

- Does the Target System Support SVF Specification Rev. D? – This option requires you to specify what revision of SVF file the Atmel-ISP software creates. Please refer to paragraph 5.3, “Creating SVF Files”, on page 5-4 for further information.
- Use State-Resets in SVF File? – This option gives you the choice of including JTAG TAP reset statements in your source file. Please refer to paragraph 5.3, “Creating SVF Files”, on page 5-4 for further information.
- Using the ByteBlaster Cable. – This option allows you to use the ByteBlaster/ByteBlasterMV cable you normally use for MAX7000S/A/AE devices to execute ISP on Atmel ATF15xx family devices. This saves you from using the Atmel-ISP cable. Once you enable the ByteBlaster/ByteBlasterMV option, it remains enabled until you disable it. This means that if this option is enabled, the Atmel-ISP cable will not work on your target system and vice versa, if it is disabled.

The Atmel-ISP software defaults to disabling this option. If you get errors when executing your chain file with the Atmel-ISP software, make sure this option is not enabled first.

3.1.6	Description of ATMISP Help Menu Commands	Contents	This command displays the table of contents of this Help file.
		About Atmel-ISP	This command displays the version number of the Atmel-ISP software you are currently using. If you are unsure whether you have the latest version, check with Atmel PLD Applications.

3.2 ATMISP Hidden Commands (Advanced Users Only)

There are many protection features built in to the Atmel-ISP software. For example, features to ensure that the correct device is being programmed, that the correct voltage level is being applied to the ISP device, that the JTAG port will not be disabled after programming. To allow advanced users to override some of these built-in protection features, hidden commands are made available in order to allow these advanced users to force the ISP operation to proceed despite the fact that ATMISP detected potential problems. **Please use these hidden commands with discretion.** These hidden commands are listed and described below.

ID Check

This option allows you to override the ISP software setting that checks the correct manufacturer ID for Atmel ISP devices. If you receive the ID Check error, you can use this command to bypass the manufacturer ID check process. The default setting for this option is disabled. *This option will remain enabled until you disable it and vice versa, if it is disabled.*

To enable/disable this option, do the following:

- Before executing your chain file, hold down the [Shift] key and press the [Alt] and [L] keys simultaneously. The Atmel-ISP software will display a warning message indicating the state of the manufacturer ID Check option after you enter this key sequence. Click *OK* to close the warning message.

Mixed Voltage (V3.00 or Later)

This option overrides the normal error message you would receive from the ISP software when you attempt to program both 3V and 5V Atmel devices in the same JTAG hardware chain. The default state of this option is disabled. *It remains enabled until you disable it and vice versa.*

If you decide to enable this option, please be aware of the following precautions:

- 5V device may not program correctly with a 3V supply. This may create functional problems with your board.
- Interfacing 3V and 5V devices on the same board may create problems if your 3V devices are not completely 5V tolerant. This may cause functional problems on your board.

To enable/disable this option, do the following:

- Before executing your chain file, hold down the [Shift] key and press the [Alt] and [V] keys simultaneously. The Atmel-ISP software will display a warning message indicating the state of the JTAG port option after you enter this key sequence. Click *OK* to close the warning message.

**JTAG Port
Check**

This option prevents the ISP software from detecting whether your JEDEC file is using the JTAG port pins as logic I/O pins. The error you would normally see when you attempt to program a device with this type of design will be disabled. The default state of this option is disabled. *It will remain enabled until you disable it and vice versa.*

If you decide to enable this option, be aware of the following precautions:

- Make sure you have first soldered an erased Atmel ISP device in your JTAG hardware chain.
- If you enable this option and still attempt to program any Atmel ISP device, *you will only be able to program it **once** using ISP.*

After the device is programmed once, *you will not be able to re-execute any ISP operations on any devices in your JTAG hardware chain.* The only way to re-implement ISP on your JTAG chain is to remove the affected device and erase it using an external device programmer.

To enable/disable this option, do the following:

Before executing your chain file, hold down the [Shift] key and press the [Alt] and [J] keys simultaneously. The Atmel-ISP software will display a warning message indicating the state of the JTAG port option after you enter this key sequence. Click *OK* to close the warning message.





Section 4

Atmel-ISP Hardware

The Atmel-ISP hardware consists of the Atmel-ISP board, the Atmel-ISP cable, 9V AC/DC adapter and Atmel-ISP daughter boards. The Atmel-ISP cable (or optionally the ByteBlaster/ByteBlasterMV) is required to implement ISP from your personal computer for Atmel devices. The Atmel-ISP board is optional, but useful for prototyping your designs before using them in your target system. The Atmel-ISP daughter boards are used in conjunction with the Atmel-ISP board so you can program devices in different package types.

4.1 Atmel-ISP Board Description

The Atmel-ISP board connects to the PC via an Atmel-ISP cable. This cable connects from the PC's parallel port to the 10-pin male header on the Atmel-ISP board. There are two sockets available for programming. One socket is the 84-pin PLCC socket (Socket #1) and this comes with the Atmel-ISP board. The other socket (Socket #2) can interface to a daughter board. The purpose of a daughter board is to program other package types. Atmel supplies a daughter board for each available package type.

The Atmel-ISP board is primarily intended as a programming tool. You can use it to program Atmel ISP devices before inserting them on your circuit board. Figure 4-2 is a diagram of the Atmel-ISP board. It includes the following items:

- PC board, 6" x 6.5"
- One 84-pin PLCC socket connector (U1)
- Socket headers for daughter boards (U2)
- 10-pin male header (J5)
- Power-supply connection (J8)
- Decoupling capacitors (C1 - C9)
- Battery connection and protection diodes (BT1, D1)
- On/Off switch (SW3)
- V_{CC} voltage selection jumper (JP3) for Rev. 3 or later
- 4-position DIP switch (SW2) for Rev. 3. or later

The programming socket is a fixed 84-pin PLCC socket. Atmel ISP devices with this package type must be programmed with this socket. Devices for other package types must use the appropriate Atmel-ISP daughter board. Only one device at a time can be programmed on the Atmel-ISP board whether on the 84-pin PLCC socket or on the daughter board.

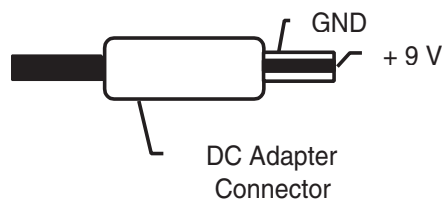
A switch block (SW2) containing four DIP switches is located on the top of the ISP board. It is used as a socket selector. *If you are programming using an 84PLCC socket, DIP Switch 4 from this group must be in the OFF (down) position. If you are using a daughter board, DIP Switch 4 from SW2 must be in the ON (up) position.* The requirement holds whether you are using either the Atmel-ISP cable or ByteBlaster/ByteBlasterMV cable.

Special features have been added to the ISP board (Rev. 3 or later) to support multi-voltage (3V/5V) device programming. These include a power supply regulation circuit that can supply either 3V or 5V supply voltage (V_{CC}) and a 3/5V header to change the V_{CC} voltage value. Additional changes to the board include: a better power-on/off switch, improved PC board layout of regulator near the 84-pin PLCC socket, battery connector terminals that are directly soldered on the board and other changes.

To select the proper V_{CC} voltage, use jumper JP3 on the Atmel-ISP board (Rev. 3 and later). If the left two jumpers are connected, V_{CC} will be set to 5V. If the right two jumpers are connected, V_{CC} will be 3.3V.

Power to the Atmel-ISP board is supplied by either an Atmel 9V AC/DC adapter or a 9V battery. Use the Atmel AC/DC adapter to power the board as some adapters may have the power and ground connections reversed, which can damage the ISP board. *If you are using a different AC/DC adapter, make sure that the **center** pin of the socket adapter is at **9V**, as shown in Figure 4-1.*

Figure 4-1. DC Adapter Socket



You can find the revision of the Atmel-ISP board by looking on the front of it just below the prototype area and above the Q2 and Q3 labels. It is always recommended that you use the latest revision of the Atmel-ISP board when programming Atmel devices.

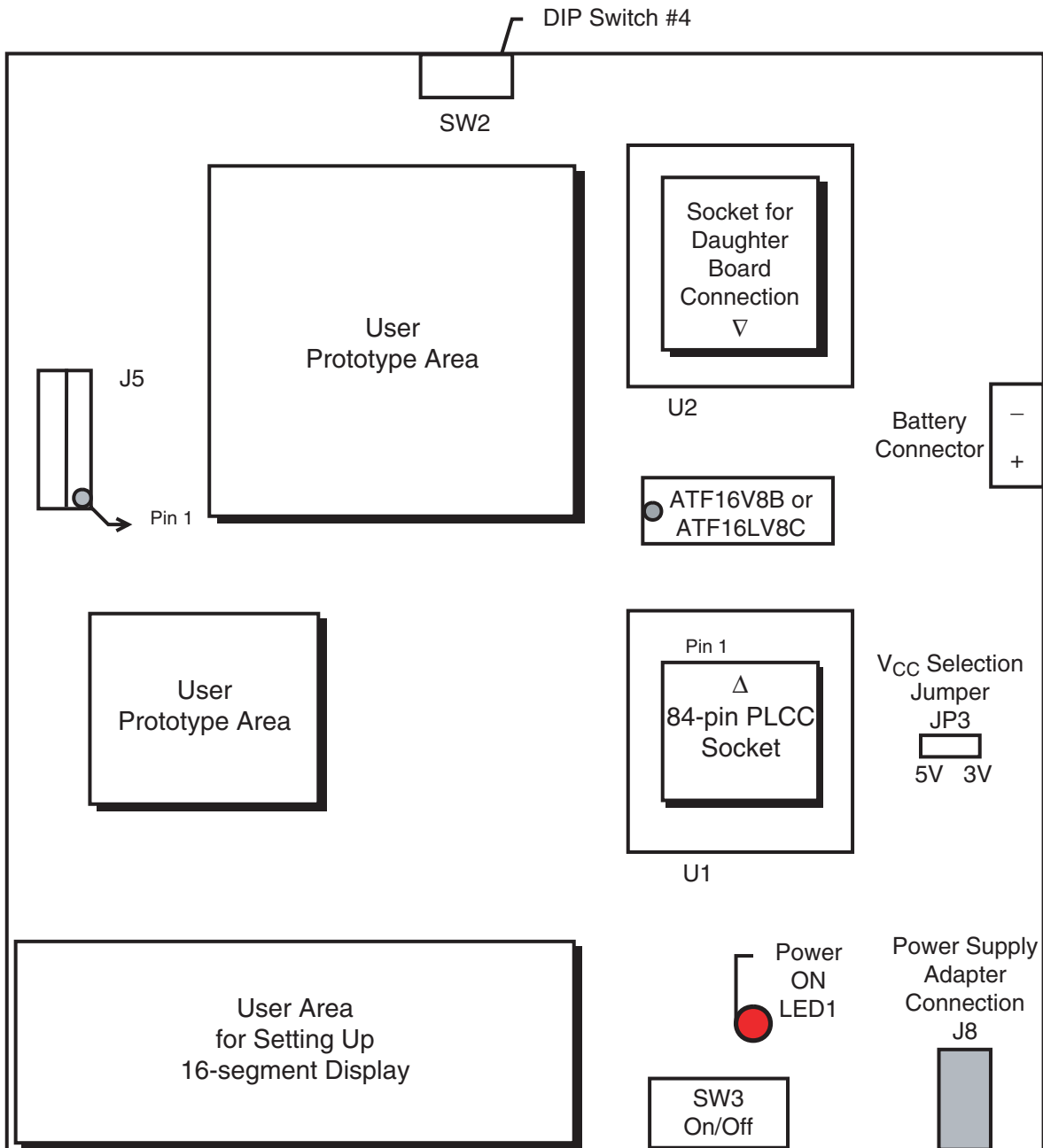
If you are unsure which is the latest ISP board revision, contact Atmel PLD Applications.

4.1.1 Optional Features on Atmel-ISP Board Useful for Prototyping

These features are not included in the Atmel-ISP board. The following components can be soldered onto the ISP board in order to test functionality of specific Atmel ISP devices.

- LEDs: LED1 is used for the power supply and the other two (LED2 and LED3) are for prototyping.
- Crystal oscillator, 1 MHz (Y1)
- Two momentary input switches (PBSW1 and PBSW2)
- 4-position slide switch that encodes to two inputs (SW1)
- 5 alphanumeric LED displays with drivers (DSP1 - 5)
- A user prototyping area
- One 84-pin PLCC programming socket
- One 10-pin JTAG header
- Signal breakout headers

Figure 4-2. ATF15xx ISP Board



- J5 - Male header for ISP cable (Pin 1 aligns with the red marking on the ByteBlaster/Atmel-ISP cable)
 SW3 - Slide switch (on/off)
 J8 - AC/DC adapter connection
 JP3 - V_{CC} selection jumper. If programming ATF1500AS/ASL devices, set the jumper to 5V to select 5V V_{CC}.
 If programming ATF1500ASV/ASVL devices, set the jumper to 3V to select 3.3V V_{CC}.
 SW2 - Switch #4 of this switch is used to select either the 84PLCC socket or the daughter board socket as the target socket.

4.2 Atmel-ISP Daughter Board

Atmel-ISP daughter boards are circuit boards that interface with the Atmel-ISP board. They are used to program Atmel ISP devices with different package types other than the 84-pin PLCC. If you plan to program a device on the ISP board that is not an 84-pin PLCC package type, you will need the appropriate daughter board.

There are unique daughter boards available for each Atmel-ISP package type. Each daughter board contains a socket for the Atmel ISP device on the top side, and female header connector on the bottom side. The header connectors on the bottom side mate with the male headers on Socket 2 of the Atmel-ISP board. Figure 4-3 shows two daughter boards. The first one shows sockets for 44-pin PLCC/TQFP and 68-pin PLCC packages. The second daughter board shows sockets for 100-pin TQFP/PQFP and 160-pin PQFP packages. Orientation of Pin 1 for each package type is shown in Figure 4-3. Figure 4-4 shows the proper orientation of the daughter board when it is connected to the ISP main board. Each daughter board (refer to Section 8, "Ordering Information") has only one socket adapter soldered to it corresponding to the appropriate package type shown in the table.

Figure 4-3. ISP Daughter Board

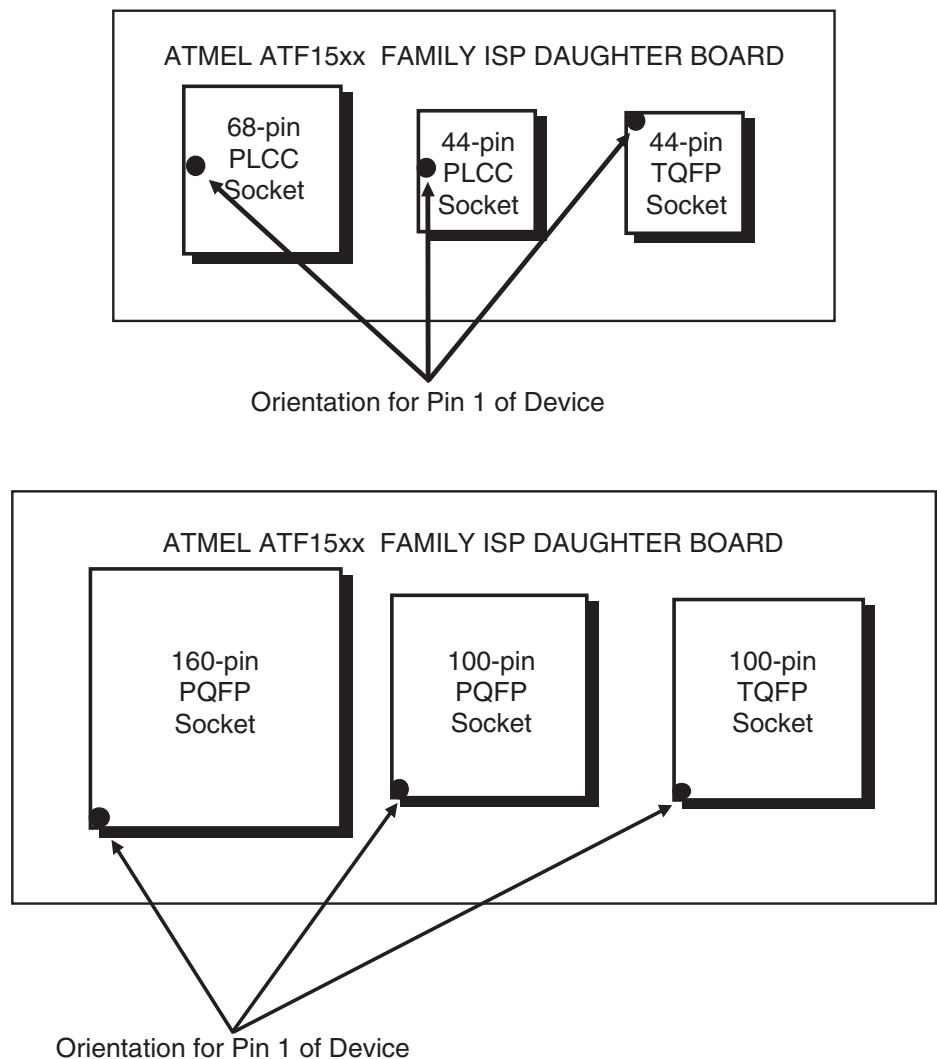
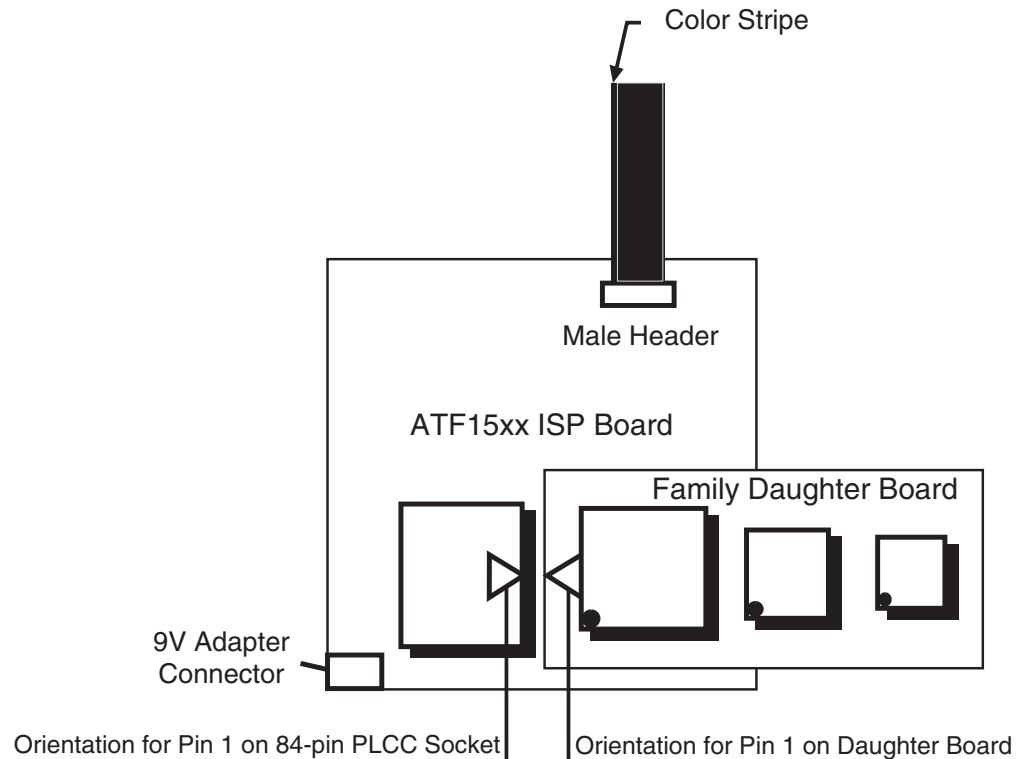


Figure 4-4. Correct Orientation of Daughter Board on ISP Board

4.3 Atmel-ISP Cable

The Atmel-ISP cable connects between the parallel port of your PC and the 10-pin JTAG header on your circuit board or the Atmel-ISP board. The power-on LED on the 25-pin male connector housing indicates that the cable is connected properly. Make sure this LED is turned on before using the Atmel-ISP software.

The Atmel-ISP cable consists of a 25-pin male connector, which connects from the parallel port to a 10-pin female header connector. The female header connector connects to the male 10-pin JTAG header on the ISP circuit board. The color stripe indicates the orientation of Pin 1 on the header connector. Since the cable is not polarized, use the color stripe as a guide to assure that the female header connector is properly oriented when it is attached to either board. See Figure 4-5 for the correct orientation.

If you are attempting to program the ATF1500ASV low-voltage devices, you need to use Rev. 4 or later of the Atmel-ISP cable. This and later revisions will support both the ATF1500ASV and AS devices (3V and 5V, respectively). Earlier revisions of the cable only support the ATF15xx (5V) devices.

The new revisions (Rev. 4 or later) of the cable have built-in circuitry that automatically detects the supply voltage from your JTAG header and is able to adjust its programming voltage levels accordingly to handle either AS or the ASV device programming.

Figure 4-5. Atmel-ISP Cable Connection to ISP Hardware Board/Circuit Board

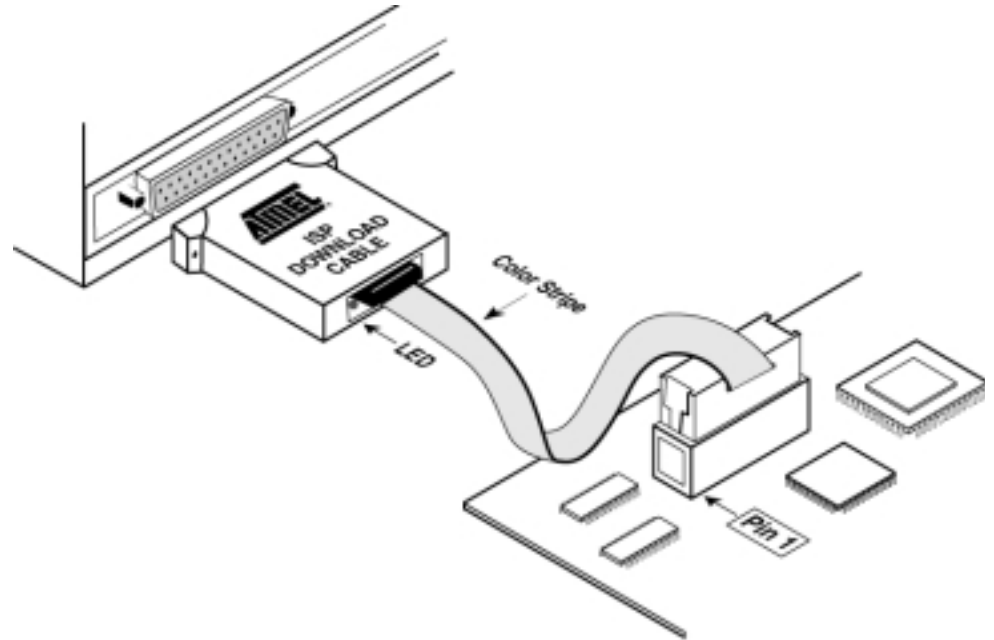
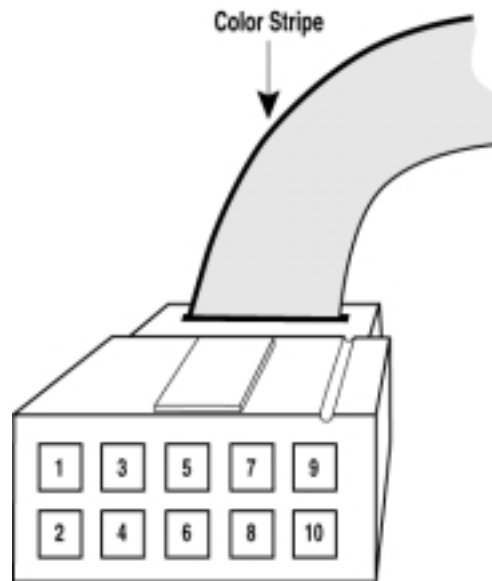


Figure 4-6 shows the pinout for the 10-pin female header on the Atmel-ISP cable. The pinout on the 10-pin male header on the PC board (if used for ISP) **must** match this pinout.

Figure 4-6. Atmel-ISP Download Cable 10-pin Female Header Pinout



Note: Your circuit board must supply V_{CC} and GND to the Atmel-ISP cable through the 10-pin male header.

The dimensions for the 10-pin male header that is mounted on ISP board are shown in Figure 4-7, and Figure 4-8 shows the pinout for this 10-pin male header.

Figure 4-7. 10-pin Male Header Dimensions

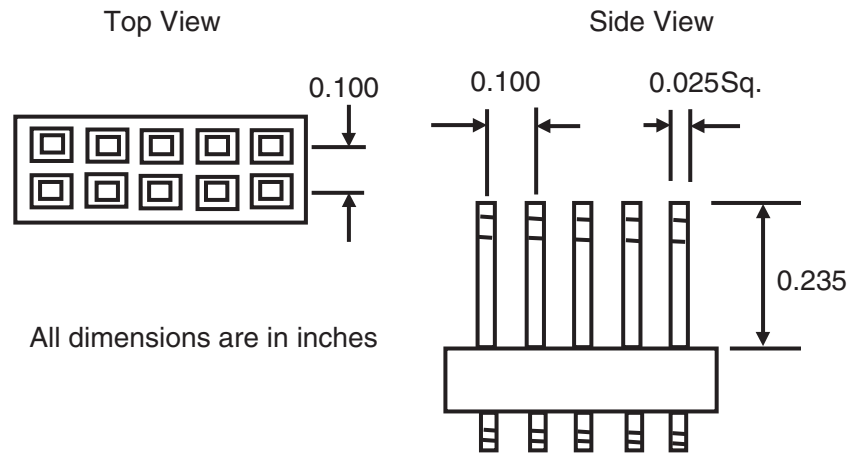
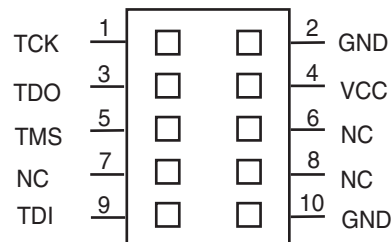


Figure 4-8. 10-pin Male Header Pinout



The Atmel-ISP cable is subject to hardware revisions from time to time as Atmel improves its performance and adds new features. Always try to use the latest revision of the Atmel-ISP cable to program Atmel ISP devices. The revision number is written on the cable shell.





Section 5

Getting Started

5.1 In-System Programming Procedure

Before you can use the Atmel-ISP software, you will need to make sure that none of the ISP devices on your circuit board is using the JTAG port pins for logic I/O functions. Atmel recommends that you erase all devices before inserting them on your circuit board.

Note: Atmel ships all ISP devices in a bulk-erased state, which enables the JTAG interface by default. Therefore, all Atmel devices are initially shipped ISP-ready and are ready to be programmed with the Atmel-ISP software.

If you are using the Atmel-ISP software with your circuit board, skip the next section and proceed to “Setting Up Your Target System”.

5.1.1 Setting Up the Atmel-ISP Board

After completing the instructions in this section, skip the “Setting Up Your Target System” section and proceed to “Running the Atmel-ISP Software”.

1. Insert an erased Atmel ISP device into the Atmel-ISP board socket. If you are not sure if a device is erased, erase it on an external device programmer before inserting it into the ISP board. If you are programming a non-84-pin PLCC device, you must insert the appropriate daughter board into Socket 2 of the ISP board and then insert the ISP device into the socket on the daughter board.
2. Plug an Atmel AC/DC adapter into the 9V DC power connector (J8) on the ISP board. You can also use a 9V battery to power the ISP board.
3. Plug the 10-pin female connector on the Atmel-ISP cable to the 10-pin male header (J5) on the ISP board. Ensure that the 10-pin connector is oriented correctly.
4. Power-up the Atmel-ISP board by flipping switch SW3 on the ISP board towards the power connector. When power is turned on, the ISP board power-on LED (D3) will be illuminated.
5. Connect the 25-pin connector on the Atmel-ISP cable to the PC’s parallel port.

Getting Started

5.1.2 Setting Up Your Target System

Steps 1 and 2 below must be hardwired on your circuit board. These circuit modifications **must** be made to your design before you can proceed with any ISP operations.

1. Make sure all JTAG ISP devices on your circuit board are connected to a 10-pin male JTAG header. Figure 4-8 on page 4-7 shows the JTAG header pinout. All JTAG port pins must originate and terminate on this header.
2. Connect the JTAG port pins (TCK, TDI, TMS, TDO) between the Atmel ISP and non-Atmel ISP devices together on your circuit board. All JTAG ISP devices must be connected to form a JTAG chain. Figure 1-1 and Figure 1-2 on page 1-3 show how to configure single- and multiple-device JTAG chains on your circuit board.
3. Solder or insert (if you have device sockets) the Atmel ISP devices on your circuit board. Make sure they are either erased or not programmed with logic that uses the JTAG port pins for logic I/Os. If the parts are configured in this way, they cannot be programmed via ISP. Atmel recommends that you solder **erased Atmel ISP devices** on your circuit board first since they are ISP-ready when erased. If you are unsure whether a device is erased, erase it with an external device programmer before using it in your target system.
4. Power up your circuit board.
5. Connect the Atmel-ISP cable from your PC's parallel port to the 10-pin header connector on your circuit board. Make sure the 10-pin header connector is oriented correctly on the hardware board, and the LED on the 25-pin connector housing of the Atmel-ISP cable is illuminated.
6. You are now ready to run the Atmel-ISP software.

5.1.3 Running the Atmel-ISP Software

The Atmel-ISP software must be installed on your PC before you can run it. When it is successfully installed, the Atmel-ISP *Program* and *Help* icons are automatically created.

1. Double-click on the *ATMISP* icon to start the Atmel-ISP software.
2. If a chain file has been previously saved, the software will automatically load in this chain file and the Atmel-ISP main menu will be displayed.
3. Otherwise, the software will display a dialog box prompting you to enter the number of devices in your JTAG chain. This will occur immediately after the software is invoked. Either enter a number or select *Cancel*. If you select *Cancel*, the Atmel-ISP main menu will be displayed and you'll need to follow the steps below to create a chain file.

5.1.3.1 Setting Up the Chain File

1. From the File menu, click once on *New*. The software will display a dialog box prompting you to enter the number of devices in your JTAG chain.

Note: Step 1 is unnecessary if you followed step 3 above. If you are using ISP software with an ISP board, you must select *1* for the number of devices in your JTAG chain. Selecting a value other than *1* or attempting to program more than one device on the Atmel-ISP board may cause an error. You can program multiple ISP devices only with a custom target system.

2. After entering the number of devices, the **Device Properties** dialog box will appear. This dialog box will reappear for each device you have defined in your JTAG chain.
3. Under *Device Type*, enter the Atmel ISP device type you want to program.
4. Under *JTAG Instruction*, enter the programming operation you want to perform. Click on the *down* arrow once for a list of options.

Note: Non-Atmel ISP devices in your JTAG chain must have the Bypass instruction selected. If the non-Atmel ISP device does not have an IDCODE register, you must also *uncheck* the IDCODE register box selection for that device. Furthermore, the JTAG instruction width needs to be changed accordingly if the non-Atmel ISP device does not have a 10-bit JTAG instruction width. All Atmel PLD ISP devices have 10-bit JTAG instruction width, and 10 is the default width.

5. After selecting the ISP operation, if you want to execute a Program/Verify, Verify, Program/Verify/Secure or Load operation, you must enter a JEDEC file name. Click on *Browse* to allow you to specify the subdirectory where the JEDEC file is located. If you are performing an Erase, Secure, Verify Secure, Blank Check and/or Bypass operation, you are not required to specify a JEDEC file.
6. Click on *OK* to exit the **Device Properties** dialog box for that specific device. The **Chain File** window will be displayed, showing the ISP operation selected for the device.
7. Repeat steps 2 to 6 for each device in the JTAG chain.
8. In the File menu, click once on *Save*. The software will prompt you to save the information you enter as a chain file name. Enter the file name and click *OK*. To recover this information at a later time, you can reload this file by using the *Open* command from the File menu.
9. From the View menu, click once on *Chain File*. This allows you to view the information you have entered with the software to describe your JTAG chain. Verify that the information is correct. If you need to change it, see the *Edit* menu command. Under this menu, you can add, edit and remove devices from an existing JTAG chain. Atmel-ISP versions V2.99 and later have an option that allows you to edit, add and/or remove devices in your chain by just double-clicking the chain file.

5.1.3.2 Executing ISP on Atmel ISP Devices

Before executing ISP operations, the number and order the devices are configured in your JTAG hardware chain must match both in number and order on your chain file. If the chain file information does not match your JTAG hardware configuration exactly, the ISP software will generate an error when it executes your chain file.

Note: When performing ISP operations on **multiple** devices, you cannot mix different operations for different devices. For example, you cannot erase one Atmel ISP device and program another at the same time. You can, however, erase several devices simultaneously. You can also perform a programming operation on one device, exclusive of all others. This is done by placing all devices unaffected by the ISP operation in the Bypass mode.

From the Atmel-ISP software main menu, click once on *Process*. Select *Run*. The Atmel-ISP software will execute the ISP operations specified in the chain file. The **Progress** dialog box will be displayed. This box will indicate the percentage completion for the ISP task as it is being executed. If the operation was executed successfully, the **Success** dialog box will be displayed. If the ISP operation was not successful, the **Error** dialog box will be displayed for the appropriate device. For example, if the device fails to program, the **Program Fail** message will be displayed.

5.2 Using ByteBlaster/ByteBlasterMV Cable with Atmel ISP Devices

If you want to use the ByteBlaster/ByteBlasterMV cable, first go to the main menu. Select the Process menu, then choose *Options*. Two notices will appear: one asks whether you want to save your programming data in a SVF (Serial Vector Format) file; the second notice asks whether you want to use the ByteBlaster cable. If you select *No* to SVF format and *Yes* for ByteBlaster cable, the ISP software will use this cable to download ISP operations to the devices on your circuit board. Make sure that your ByteBlaster/ByteBlasterMV cable is connected to either your circuit board or ISP board. The options you specified will take effect when you re-execute the *Process..Run* command. To switch the cable type back to the Atmel-ISP cable, go to the main menu, select the Process menu, and choose *Options*. Select *No* again to SVF format. The second notice will be different from before and it will ask if you want to use the Standard cable. If you select *Yes*, then the cable type will be switched back to the Atmel-ISP cable type.

Note: Check the chain file first before executing any operation. The chain file should indicate the parallel port setting used and if the ByteBlaster cable type is selected. If it does not, then check to ensure that the software communicates with your board. Refer to Section 7, “Troubleshooting” for more information.

5.3 Creating SVF Files

The Atmel-ISP software can create Serial Vector Format (SVF) files that can be used to execute ISP operations on automated test equipment (ATE). The Atmel-ISP software supports two revisions of the SVF specification: Revs. C and D. Revision C is needed to support Jam™ programming. Rev. C or D can be used by the ATE tester; however, Rev. D is preferred.

To create an SVF file, perform the following procedure:

1. Create the chain file in the Atmel-ISP software.
2. When you are done, go to *Process..Options*.
3. At the notice “Write to SVF file instead of LPT port?”, select *Yes*.
4. At the notice “Does the Target System Support SVF Rev. D?”, select either *Yes* for Rev. D, or *No* for Rev. C.
5. The **Create SVF File** dialog box will open. Enter the file name and click *OK*.
6. At the notice “Use STATE RESETS in SVF File”, select either *Yes* or *No*. If you are just programming Atmel devices, it is recommended that you select *Yes*.
7. Go to *Process..Run* to execute the ISP operations.
8. Exit the Atmel-ISP software.

Note: The ISP software requires you to exit the software before the SVF file is written to disk. Trying to open an SVF file while the software is running will display a file of null (0 bytes) size.

5.4 Creating Jam Files

The Atmel-ISP software and the competitor's SVF2JAM translator allow you to create Jam files that can be executed on the competitor's Jam player. It should be noted that any of the command line options in the Jam player except the port address are not available for Atmel devices. Also, you must use the ByteBlaster/ByteBlasterMV cable to execute Jam files. Each Atmel Jam file can only execute specific programming operations that are embedded into that file.

Please refer to the application note "Creating Atmel JAM/JBC File(s) for the ATF1500AS Device Family" for further details on how to create Jam files for Atmel ISP devices.

5.5 Creating PCF Files

If you are using the Hewlett-Packard HP3070 Series of ATE testers to program your Atmel ISP devices, you'll need the HP Pattern Capture Format (PCF) files. This PCF file can be created by converting an SVF file generated by the Atmel-ISP software into a PCF file using the SVF2PCF utility. Please refer to the "In-System Programming of Atmel ATF1500AS Devices on the HP3070" application note for further information on this subject. Both the application note and the SVF2JAM utility are available for download from Atmel's web site and BBS.





Section 6

JTAG ISP Guidelines

This section describes important guidelines and information about ISP that all users must pay attention to when performing ISP operations on Atmel ISP devices.

1. Make sure all ISP devices on your circuit board are erased before programming.
 - To prevent the use of the JTAG port pins by any of the ISP devices.
 - This will enable the JTAG port.
 - All Atmel ATF15xx devices are shipped in the erased state so that they are ISP-ready.
2. Make sure the red LED on the back of the Atmel-ISP cable is on when programming.
 - To ensure that the ISP cable is connected properly.
3. Verify that the correct ISP cable is used.
 - Atmel-ISP software defaults to using the Atmel-ISP cable.
 - Must change cable type if using ByteBlaster/ByteBlasterMV cable.
4. If a parallel cable is used to connect the ISP cable to the PC's parallel port, make sure the parallel cable being used is 6 feet long or less.
 - Parallel cable longer than 6 feet might introduce communication problems between the ISP cable and the parallel port.
5. When using Atmel-ISP cable, make sure that the cable is connected to the ISP\target board before powering up the ISP\target board. Once the ISP\target board is powered up and the LED on the back of the ISP cable is turned on, then connect the other side of the ISP cable to the PC's parallel port.
 - To eliminate possible communication problem.
6. Run Self-Calibrate or Manual Calibration if the software is having problems communicating with the JTAG device hardware chain.
 - Self-Calibrate and Manual Calibration allow the user to reduce the transfer speed of the JTAG signals from the PC's parallel port to the JTAG device chain.
7. Make sure your parallel port settings are configured correctly.
 - The ISP software may have problems running on PCs with Auto mode configuration for parallel port.
 - Change your BIOS port settings to either ECP or EPP mode.
 - Confirm your port address setting before using the software.
 - Default settings are: **0378H** for **LPT1**; **0278H** for **LPT2**.
 - Other port addresses **must be entered manually**.

To set Parallel Port mode to ECP or EPP in Windows 3.x:

1. Reboot or turn on PC and access *CMOS Setup*.
2. When the screen displays the message “Press key for Setup”, press the appropriate key. Some notebooks will require you to press [F2] or the [Delete] key. Others may require you to press [Ctrl]-[Alt]-[S] keys simultaneously.
3. When the setup screen appears, select *Peripheral* selection. You may need to scroll through all pages to find the *Parallel port mode* selection.
4. Set the Parallel Port mode to ECP or EPP.
5. Save setup and exit *CMOS Setup* (most likely, press the [Esc] key).

Once Windows boots, run the ATMISP program. Make sure the ISP board power is turned on before you run the program. If the program does not run, check the Control Panel to make sure that the Parallel Port mode is set to ECP or EPP.

To set Parallel Port mode to ECP or EPP in Windows 95/98:

1. Select the *Control Panel* from the **My Computer** window.
2. Select *System* icon and then select Device Manager option.
3. Double-click on *Ports (COM & LPT)*. All the ports will appear under the option.
4. Select *Printer Port (LPT)* and click *Properties*.
5. Select *Drive* option and click on *Change Drive* option.
6. Click on *Show all devices*. All the printer port modes will be displayed in the right column.
7. Select *ECP Printer Port* mode.

Click on *OK* (3 times to get out of **System Properties** window). Windows may prompt you to reboot your PC. Click *OK*.

8. Switch 4 of SW2 is used to select either Device #1 (84 PLCC) or Device #2 (daughter board) as the target device.
 - When Switch 4 is *off*, Device #1 (84-PLCC socket) will be the selected target device.
 - When Switch 4 is *on*, Device #2 (daughter board) will be the selected target device.

The ISP board cannot program both Device #1 and #2 simultaneously.

9. ISP uses JTAG interface.
 - Optional internal pull-ups on TMS and TDI can be used. Pull-ups are required on TMS and TDI by the JTAG standard.
 - Must select correct device types in Atmel-Synario and Atmel-WinCUPL to enable JTAG TAP.
10. ISP is available when the part is in Pin-controlled Power-down mode or when “low power” device is asleep.
11. Device state after interruption of ISP:
 - If ISP is interrupted, all I/O pins are **tri-stated** regardless of the state of the pin-keeper circuits.
 - Prevents partially programmed device from causing bus contention with other devices on circuit board.

12. During ISP programming, all I/O pins are in one of the following conditions:
 - High-impedance state:
 - When a blank/erased device is programmed
 - When a device is reprogrammed with the pin-keeper circuits disabled
 - Prevents bus contention with external devices interfacing with Atmel device on the circuit board
 - Weakly latched to the previous state:
 - When a programmed device is reprogrammed with the pin-keeper circuits enabled
 - I/O pins keep previous logic levels, prior to ISP
 - Prevents ISP from affecting the operation of other devices on the system board
13. Don't use multiple JTAG chains on one board.
 - Devices may interact between different JTAG chains.
 - Board is functional only when **all** devices in **all** JTAG chains are programmed successfully.
 - If programming fails for at least one device in a chain while other JTAG chains were successfully programmed:
 - Either Atmel or other devices on board can be damaged.
 - Possible bus contention problem for tri-stateable outputs
 - System board operational state is undefined.
 - Incorrect functional operation may occur

Solution: Use one JTAG chain to link all devices on the board.
14. Avoid long (+5 devices) JTAG devices chains.
 - If you must generate a long chain, buffer the TMS, TCK signal between devices.
 - Schmitt trigger buffers preferred
 - Buffers reshape rise times on TMS and TCK signals.
15. Buffer all JTAG pins directly at the header.
 - Alternate approach to handling long JTAG chains
 - Assures clean rising edges on all JTAG signals
16. Use a slower TCK frequency.
 - TCK skew may cause setup/hold violations on long device chains for faster clock frequencies.
 - Slower frequency signals are less subject to transmission line effects (ringing, overshoot), which can cause programming problems.
 - Slower signal frequency generates less noise/crosstalk on cable.
17. Terminate JTAG signals at header.
 - Both active and passive termination are acceptable. However, passive termination is preferred.
 - Reduces ringing due to long cable/PCB trace lengths.
 - Termination is most critical for TMS and TCK.

18. Do not insert active circuits between JTAG header and the JTAG devices in chain.
 - If active circuit malfunctions:
 - May cause programming/verify problems
 - TDO is important.
 - Errors on this output cause verify problems during ISP operation
19. Don't create mixed-voltage device JTAG chains.
 - This is a JTAG chain that has both 3V and 5V devices.
 - 3V outputs may not drive 5V (CMOS-compatible) inputs on other devices on circuit board. Programming problems may occur for 3V devices.



Section 7

Troubleshooting

7.1	ATMISP Messages	This section is useful in resolving any problems that may arise when executing ISP operations using the Atmel-ISP software. Messages generated on-screen are further classified into error messages, warning messages and notices.
7.1.1	Error Messages	<p>Failed to Save Chain File</p> <p>The software was unable to write the .chn file to disk. Possible reasons for this error are:</p> <ul style="list-style-type: none">■ The file is a read-only file.■ The file directory to be written to does not exist or cannot be accessed.■ An operating system or hardware error. For example, no floppy disk in drive. <p>Chain file has wrong number of devices</p> <p>The number of devices in your chain does not match the number of devices the ISP software detected in your JTAG hardware chain. Edit the open chain file using the Delete or Add Device command or create a new one to make sure the device number matches.</p> <p>Conflicting Instructions in Chain File</p> <p>This error is generated when you have two or more different ISP instructions (except Bypass) in your multi-device chain. For example, if you have a 2-device chain, and you're trying to program the first part while verifying the second. The workaround for this error is described in the following paragraphs.</p> <p>In the previous example, create a chain file that programs the first device while putting the second into Bypass. Then create a new chain file that puts the first device into Bypass while verifying the second device. This process can be repeated in a similar manner for larger device chains.</p> <p>If you are trying to program the above chain using an ATE tester, you can create the first chain file and generate the SVF file. At the prompt "Close SVF and Start Another", select <i>No</i> and create the second chain file. Select SVF output format to create the SVF and now select <i>Yes</i> at the "Close SVF and Start Another" prompt. The contents of the SVF file for the second chain file will be appended to the first. After you exit the software, one SVF file that executes both chains will be saved. The same process could be repeated for larger JTAG chains.</p>

Chain File has <n> devices System has <m> Devices

If the Atmel-ISP software detects a mismatch between the number of device(s) you have specified in your chain file and the actual number of device(s) on your JTAG hardware chain, this error will be displayed. The easiest workaround for this would be to edit your chain file accordingly to match the number of devices actually on your hardware board.

Another cause for this error occurs when the IDCODE box in the Atmel-ISP software **JTAG Properties** dialog box for each device is not checked. Versions 2.77 and later of the ISP software will warn you about this, but earlier versions may not. When this box is not checked, the Atmel-ISP software may incorrectly read out the manufacturer ID codes from all the devices in the chain and therefore may detect the wrong number of devices.

It is highly recommended that you also download the latest release of the Atmel-ISP software from the Atmel web site or BBS.

Read Chain File

The software was unable read the chain file specified. This error usually occurs if the file you are trying to load is not a chain file.

Problems with reading JEDEC files

This error occurs when the ISP software was unable to read the JEDEC from the directory you have specified. Possible reasons for this error:

- The JEDEC file name you have specified does not exist.
- The subdirectory from where the JEDEC file is loaded does not exist.
- An operating system error. For example, loading the JEDEC file from a floppy disk in drive A: when there is no diskette in the drive.

Problems with saving JEDEC files

This error can occur when executing a Load operation on the ISP software and specifying a JEDEC file name to save the loaded fuse data. Possible reasons for this error:

- The subdirectory where the JEDEC file is to be saved does not exist.
- An operating system error, such as saving the JEDEC file to a floppy disk in drive A: when there is no diskette in the drive.

Chip <number> Fails

This error is generated when the chip specified by <number> fails any of the programming operations such as Program, Secure, Verify, Load, Erase or Blank Check. <number> specifies which chip actually failed. The number depends on the chip location in the JTAG chain. For example, Chip 1 would be the first chip in the chain; Chip 2, the second, and so on.

Secure Verify Fail

This error occurs when the ISP software is unable to verify that a device is secured in your JTAG chain. This can occur due to the following reasons:

- You have more than one device in your chain, and the other devices are not placed in the Bypass mode.
- The device you are trying to verify was already secured with a JEDEC file that either disables the JTAG port or uses the JTAG port pins.

No Devices Found

This error is generated when your JTAG hardware chain is incorrectly configured. Possible reasons for this error are discussed below:

1. **Problem:** The power to your circuit board was accidentally turned off.
Solution: Make sure your circuit board is powered on before running the software.
2. **Problem:** Your circuit board does not contain an Atmel ISP device(s).
Solution: Make sure at least one Atmel ISP device is inserted in your circuit board.
3. **Problem:** No cable is connected between the PC's parallel port and the 10-pin JTAG header on your circuit board.
Solution: Make sure you connect either the Atmel-ISP cable or ByteBlaster/MV cable (if the correct software option is enabled) between the PC's parallel port and your circuit board.
4. **Problem:** The Atmel-ISP cable is being used, but it is connected in the wrong orientation on the 10-pin JTAG header on the hardware board.
Solution: Make sure the red LED on the back of the Atmel-ISP cable is illuminated when it is connected to the hardware board. If it is not illuminated, the cable is not connected properly.
5. **Problem:** The Atmel-ISP software does not work when the cable is first connected to the PC before being connected to the target board.
Solution: The Atmel-ISP cable contains active components that are powered from the circuit board. Inputs to the active components are driven by the parallel port. Connecting the cable to your PC first can cause the inputs of the active component to be driven before the active components in the cable are powered up. This may affect the operation of the ISP cable. Connect the 10-pin header of the ISP cable to your target board *first* and power it up. Then connect the 25-pin DIN connector to your PC.
6. **Problem:** The Atmel-ISP software has been configured to use the Atmel-ISP cable but you are using the ByteBlaster/MV cable, and vice versa.
Solution: Change your ISP software configuration for the cable that you want to use.
7. **Problem:** A device programmed on your circuit board has the JTAG port disabled or is using the JTAG port pins as logic I/Os.
Solution: Remove the device from your circuit board, erase it on an external device programmer and reinsert it onto your circuit board.

8. **Problem:** The Atmel-ISP software detects the devices in your hardware chain but reports the wrong number of devices.
Solution: Check whether any device in your JTAG hardware chain was programmed with a JEDEC file that buffers the TDI pin to the TDO pin. Remove this device from your circuit board and erase it using an external device programmer.
 9. **Problem:** The device type you specified in your chain file is incorrect. The Atmel-ISP software should report this error.
Solution: Make sure to specify the correct device type in the chain file.
 10. **Problem:** Your JTAG hardware chain is incorrectly configured on your circuit board.
Solution: Your JTAG hardware chain must be hardwired correctly on your circuit board before you can implement ISP. See also “Setting Up Your Target System” in Section 5, “Getting Started”, for the correct setup of your JTAG hardware chain.
 11. **Problem:** Your PC’s parallel port is not connected to LPT1 or has the wrong port address.
Solution: Go to *File..Port Setup* to change to the correct LPT port setting.
 12. **Problem:** You have specified the correct parallel port address but the ISP software still fails to communicate with your circuit board.
Solution: Change your parallel port setting in BIOS to either the ECP or EPP mode. If you are using Windows 3.x or Windows 95/98, you can also configure Windows to select the correct ECP or EPP port driver. For details, contact Atmel PLD Applications.
 13. **Problem:** The ISP software communicates on some PCs but not others. An earlier version works but the newer version does not.
Solution: Try to use the Self-Calibrate or Manual Calibration options. These options can be used to slow down the transfer speed the software uses when communicating between your PC’s parallel port and the hardware. The Atmel-ISP software may not be able to communicate reliably on some PCs at faster parallel port transfer speeds. The Self-Calibrate and Manual Calibration options adjust the transfer speed the software uses so it can reliably communicate between the PC’s parallel port and your hardware. Older versions of the software communicate at a slower transfer rate (approximately 50% slower) than newer versions.
 14. **Problem:** You are running the ISP software on Windows NT and the software fails to communicate with your hardware.
Solution: You need a different version of the ISP software (ATMISPNT) to be able to run on Windows NT 3.x and above. The Windows NT version of the Atmel-ISP software is also available on Atmel’s web site and BBS for download.
 15. **Problem:** You have not connected the supply voltage and GND of your target system to the appropriate VCC and GND pins, respectively, on the 10-pin JTAG header(s) on your board.
Solution: Wire up the VCC and GND pins on the JTAG header to their respective VCC and GND buses on your board.
- Note:** Contact Atmel PLD Applications if none of the above suggestions appear to resolve this error.

Invalid Chain File

You have attempted to load a chain file, which the ISP software does not recognize. Use the File.. New command to create a new chain file with the ISP operations you want to perform and re-save it under your old file name.

Invalid Device ID

The Atmel-ISP software reads an incorrect manufacturer silicon device ID for an Atmel ISP device on your circuit board. If any Atmel device has an invalid ID, you can still perform ISP operations on it by using the hidden ID Check Override command. However, it is not recommended to override the device ID check feature.

For example, if you created a 2-device chain with ATF1508AS and ATF1504AS devices but you actually have two ATF1508AS devices on your board, this error will be generated. It is not recommended that you override the IDCHECK in this case.

The same error would occur if you have two ATF1508ASV devices in your chain file but there are actually two ATF1508AS devices on your board. The workaround is to edit the chain file accordingly to match the device types on your board.

Contact Atmel PLD Applications if you encounter this error with any Atmel ISP device(s).

Device number not valid

This error normally occurs when you are using the Edit, Add or Delete Device commands and specify the wrong device number. The ISP software can flag the wrong number if you specify a number greater than the actual number of devices already specified in your chain file. If you have a blank chain file, you cannot specify any device number as no device information exists yet. In this case, edit the existing chain file to add at least one device.

JEDEC file <Filename> disables the JTAG port on Chip <number>

The JEDEC <filename> you have specified will program the appropriate chip <number> with logic that either disables the JTAG port or uses the JTAG port pins as logic I/Os. The Atmel-ISP software generates this error because you cannot reprogram this chip <number> or **any** other device in your JTAG hardware chain using the ISP software.

If this device is programmed, the only way to reprogram using ISP is to remove it from your circuit board, erase it using an external device programmer and reinsert it in your circuit board. If you still must program this chip, there is a JTAG port override option available on the Atmel-ISP software.

JEDEC file not specified

You have specified an ISP operation that requires a JEDEC file to be specified. If you are trying to execute a Program, Verify, Program/Verify or Program/Verify/Secure operation on any device in your chain file without a JEDEC file, you will see this error message. Edit your chain file using the Edit Device command and specify a JEDEC file.

Both 5V and 3V devices in Chain File

This error occurs when you create a chain file that has both ASV (low voltage) and AS devices (standard power).

This is currently not allowed by the Atmel-ISP software. You must create a chain that is either **all** 5V or 3V devices. Creating a mixed-voltage device chain file may create functional problems on your board if you have 3V devices that must handle 5V inputs. Also

programming a 5V device at 3V, or vice versa, is not recommended. Either combination could cause programming problems if you have a mixed-voltage device chain file.

If you still must program a mixed-voltage device chain, there is an override option available that will disable this error.

This is a 3V system with 5V devices

This error occurs if you have a 3V supply on your target system but are using 5V device(s) on your board. If the Atmel-ISP software detects a 3V supply on the JTAG header and a 5V device ID is read out from at least one device in your hardware chain, then it will generate this error.

You can prevent this error by either editing your chain file accordingly to select 5V device types and/or removing the 5V devices from your board and replacing them with 3V devices.

If you still must program 5V devices with a 3V supply, there is an override option to disable this error.

This is a 5V system with 3V devices

This error occurs if you have a 5V supply on your target system but are using 3V device(s) on your board. The Atmel-ISP software detects the supply voltage on your board's JTAG 10-pin header and reads the IDCODE of the Atmel device(s) in your hardware chain. If it detects a 5V supply on the JTAG header and a 3V device ID is read out from at least one device in your hardware chain, then it will generate this error.

You can prevent this error by either editing your chain file accordingly to select 5V device types and/or removing the 3V devices from your board and replacing them with 5V devices.

If you still must program 3V devices with a 5V supply, there is an override option to disable this error.

7.1.2 Warning Messages

Chain File already exists

You are attempting to overwrite an existing chain file. This warning occurs when you are using the Chain File Save/Save As command. If you select **Yes** on this warning message, the chain file will be overwritten; otherwise, the command will be aborted.

Chain File Changed

This warning occurs when you exit the ISP software without saving your chain file. It will also occur if you edit your chain file and exit the software without saving it. If you select **Yes**, the ISP software will prompt you for a file name to save the chain file. Otherwise, its contents will be lost.

Atmel Devices need the IDCODE box checked

The IDCODE box is a JTAG convention that indicates whether a JTAG device has a 32-bit Manufacturer ID register between its TDI and TDO pins that contains the device ID. All Atmel devices have this register.

Some devices by other vendors (such as TI Boundary Scan Logic Chips) don't have a manufacturer IDCODE register. So the 1-bit Bypass register appears between TDI and TDO by default. If these devices are in your JTAG HDWR chain, then IDCODE box for them must **not** be checked.

The reverse is true for devices that have an ID code (such as Atmel ISP devices). The IDCODE box must be checked for them.

If the IDCODE box is in the wrong state, it will affect the bitstream that the software actually sees from your JTAG hardware chain versus the bitstream it expects to see. The result can be either incorrect programming and/or incorrectly detecting the actual number of JTAG devices on your board.

If you attempt to uncheck the IDCODE box for an Atmel device in your chain, you will receive this warning message with Atmel-ISP software, version 2.77 and higher. The state of the IDCODE box, if it is unchecked, will also be indicated in your chain file.

IDCODE Checking is now <ON/OFF>

This warning occurs if you attempt to override the manufacturer ID check on the device using the [Shift]-[Alt]-[L] key sequence. Selecting *OK* confirms the state of whether IDCODE checking is either on or off. The Atmel-ISP software defaults to having the IDCODE checking turned on. It will remain on until the hidden key sequence above turns it off. It will remain off until turned on again by reentering the same key sequence.

JTAG Port Checking is now <ON/OFF>

This warning occurs if you attempt to override the “JTAG Port Pin” error by using the [Shift]-[Alt]-[J] key sequence. This error occurs when your design is using the JTAG port pins for logic. Selecting *OK* confirms the state of whether the JTAG port checking is on or off. The Atmel-ISP software defaults to having the JTAG port checking turned on. It will remain on until the hidden key sequence above turns it off. It will remain off until turned on again by reentering the same sequence. The setting will remain in effect as long as the Atmel-ISP software is running.

Mixed Voltage Device Checking is now <ON/OFF>

This warning occurs if you attempt to override the “Mixed Voltage Device Check” error using the [Shift]-[Alt]-[V] key sequence. This warning appears when you are attempting to program both 3V and 5V Atmel devices in the same JTAG chain.

Selecting *OK* confirms the state of the mixed-voltage device checking to be either on or off. The Atmel-ISP software defaults to having the mixed-voltage device checking turned on. It will remain on until the hidden key sequence described above turns it off. It will remain off until turned on again by reentering the same key sequence. The setting will remain in effect as long as the Atmel-ISP software is running.

Security Fuse Verify only Works for 1 Device

This warning message is displayed when you try to verify the security bit for more than one device. The security bit can only be verified for one device at a time. All other devices in your hardware chain must be placed in the Bypass mode. If you select *Yes* to the Verify Secure command, then one device will be secured. If you select *No*, the Verify Secure command will be cancelled.

Note: It is recommended that you select *No*. Otherwise, you will not be able to determine which device is actually secured.



7.2 Notices

Write to SVF instead of LPT port?

The notice appears when you select the *Process.. Options* command. The ISP software will ask you if you want to save the programming data to a Serial Vector Format (SVF) file. If you select *Yes*, an SVF file is created. Otherwise, the software downloads programming data directly to the Atmel ISP devices on your circuit board. This file is needed if you want to execute ISP on automated test equipment (ATE) that supports the SVF format.

The SVF file created will only support ISP operations on Atmel ISP devices. If you need to program devices from different vendors with a single SVF file or execute JTAG Boundary Scan Test (BST) operations on an Atmel device, you need to use third-party JTAG software that supports these features. For more information, contact Atmel PLD Applications.

Use State Resets in SVF File?

This notice asks whether you want to include a TEST-LOGIC-RESET state in the SVF programming file. If you are programming just Atmel ISP devices in your JTAG hardware chain, it is recommended that you select *Yes*. If you are programming Atmel ISP devices in a mixed-vendor JTAG hardware chain, it is recommended you select *No*.

Selecting *Yes* for the latter option causes the Atmel-ISP software to insert TEST-LOGIC-RESET instructions within the SVF file. This may cause other vendor devices to reset when the Atmel SVF file is being executed. In turn, boundary scan, programming and/or functional operations of other non-Atmel device(s) in your JTAG hardware chain may be affected. This command, however, will have no effect on Atmel devices.

Selecting *No* will make sure that the SVF always enters and leaves the JTAG Test Access Port (TAP) in the RUN-TEST-IDLE state. At a later time, when you want to reset all of your devices, you can place the TAP into the TEST-LOGIC-RESET state. This should allow all devices in your chain to reset simultaneously.

Does Target System Support SVF Spec. Rev. D?

This message is applicable if you plan the use the Serial Vector Format (SVF) file generated by the Atmel-ISP software to execute ISP operations on an automated device (ATE) tester. The SVF specification has several revisions. An earlier revision, Rev. C, is supported by most ATE and semiconductor vendors. However, it requires you to implement delays for programming operations by modeling them as a specific number in the JTAG clock TCK periods. The period of the JTAG TCK can be specified in nano- or milliseconds.

This has some pitfalls, though. If the tester's clock period is adjusted in the hardware without an appropriate change in the SVF file, the delay period will be modeled incorrectly. The result is that the device(s) may not be programmed correctly. A later version of the SVF specification, Rev. D, allows you to model a delay as single time value. For example, milliseconds. This value is independent of the TCK period used by the tester hardware. If your tester supports this, then it is the preferred format to use.

In this case, select *Yes*. A new notice will not appear.

Close SVF File and Start Another?

Choosing this command gives you the option to close an SVF file that is already open and append new ISP operations to it. This command is useful when you want to perform a different set of ISP operations using the same SVF file. This prevents you from having to create a separate SVF file for each group of ISP operations you want to perform.

However, if you want to do this, select *Yes*. Otherwise, select *No*. Atmel recommends that you choose *Yes* here so that you don't inadvertently create an SVF file that executes more operations than you intended to perform.

If you do select *No* for this feature, remember to close your SVF file after you have completed appending all the operations you want performed on it.

Enter TCK Period in Microseconds?

This notice assumes that you selected *No* when you responded to the "Does your Target System Support SVF Spec Rev D?" message. This means that the software will be creating a Rev. C version of the SVF file, which must specify delays in number of TCK periods.

You must enter a value for the TCK period at this prompt. The software supports 1-microsecond increments. So just enter only the value.

For example, if you want to enter a 1-microsecond TCK period, just type `1` and select *OK*. The software will automatically calculate the number of TCK cycles required to model any required delays needed when creating the SVF programming file.

Use Standard Cable?

This message will appear if you have originally configured the Atmel-ISP software to use the ByteBlaster/MV cable or have loaded an existing chain file that has the ByteBlaster/MV cable selected. If you select *No*, the software will assume you want to continue to use the ByteBlaster cable. If you select *Yes*, the software will change to use the Atmel-ISP cable.

You will have to change your cable accordingly between your PC and your target board before executing your chain file. Otherwise, you may receive a "No Devices Found-Check Cables" error.

For ATF1500ASV devices, it is recommended that you use Rev. 4 or later of the Atmel-ISP cable. This later revision contains special hardware within the cable to support our low-voltage devices. Using an older version of the Atmel-ISP cable may cause programming problems with ASV devices. The revision number of the Atmel-ISP cable is written on the shell of the cable.

Use ByteBlaster Cable?

This notice appears after you have executed the `Process.. Options` command and selected *No* for SVF output. The software is asking you whether you want to use the ByteBlaster cable to execute ISP operations on your target board. If you select *Yes*, make sure the ByteBlaster cable is connected to your hardware. Otherwise, the software will require you to use the Atmel-ISP cable.





Section 8

Ordering Information

ATDH1150VPC	Windows 95/98 ISP Software + Multi-volt Cable
ATDH1151VPC	Windows NT ISP Software + Multi-volt Cable
ATDH 1160VPC	Multi-volt ISP Board + Multi-volt ISP Cable + Windows 95/98 ISP Software
ATDH 1161PC	44-pin PLCC Adapter Board
ATDH 1162PC	44-pin TQFP Adapter Board
ATDH 1163PC	68-pin PLCC Adapter Board
ATDH 1164PC	100-pin PQFP Adapter Board
ATDH 1165PC	100-pin TQFP Adapter Board
ATDH 1166PC	160-pin PQFP Adapter Board

Note: The ATDH1150PC (5V-only ISP cable) and ATDH1160PC (5V-only ISP board) are no longer available and they are replaced by ATDH1150VPC and ATDH1160VPC, respectively.

Contact information for Atmel PLD Applications:

Hotline: (408) 436-4333
E-mail: pld@atmel.com
URL: www.atmel.com





Atmel Headquarters

Corporate Headquarters
2325 Orchard Parkway
San Jose, CA 95131
TEL (408) 441-0311
FAX (408) 487-2600

Europe

Atmel SarL
Route des Arsenaux 41
Casa Postale 80
CH-1705 Fribourg
Switzerland
TEL (41) 26-426-5555
FAX (41) 26-426-5500

Asia

Atmel Asia, Ltd.
Room 1219
Chinachem Golden Plaza
77 Mody Road Tsimhatsui
East Kowloon
Hong Kong
TEL (852) 2721-9778
FAX (852) 2722-1369

Japan

Atmel Japan K.K.
9F, Tonetsu Shinkawa Bldg.
1-24-8 Shinkawa
Chuo-ku, Tokyo 104-0033
Japan
TEL (81) 3-3523-3551
FAX (81) 3-3523-7581

Atmel Product Operations

Atmel Colorado Springs

1150 E. Cheyenne Mtn. Blvd.
Colorado Springs, CO 80906
TEL (719) 576-3300
FAX (719) 540-1759

Atmel Grenoble

Avenue de Rochepleine
BP 123
38521 Saint-Egreve Cedex, France
TEL (33) 4-7658-3000
FAX (33) 4-7658-3480

Atmel Heilbronn

Theresienstrasse 2
POB 3535
D-74025 Heilbronn, Germany
TEL (49) 71 31 67 25 94
FAX (49) 71 31 67 24 23

Atmel Nantes

La Chantrerie
BP 70602
44306 Nantes Cedex 3, France
TEL (33) 0 2 40 18 18 18
FAX (33) 0 2 40 18 19 60

Atmel Rousset

Zone Industrielle
13106 Rousset Cedex, France
TEL (33) 4-4253-6000
FAX (33) 4-4253-6001

Atmel Smart Card ICs

Scottish Enterprise Technology Park
East Kilbride, Scotland G75 0QR
TEL (44) 1355-357-000
FAX (44) 1355-242-743

Fax-on-Demand

North America:
1-(800) 292-8635
International:
1-(408) 441-0732

e-mail

literature@atmel.com

Web Site

<http://www.atmel.com>

BBS

1-(408) 436-4309

© Atmel Corporation 2001.

Atmel Corporation makes no warranty for the use of its products, other than those expressly contained in the Company's standard warranty which is detailed in Atmel's Terms and Conditions located on the Company's web site. The Company assumes no responsibility for any errors which may appear in this document, reserves the right to change devices or specifications detailed herein at any time without notice, and does not make any commitment to update the information contained herein. No licenses to patents or other intellectual property of Atmel are granted by the Company in connection with the sale of Atmel products, expressly or by implication. Atmel's products are not authorized for use as critical components in life support devices or systems.

ATMEL®, Atmel-WinCUPL® and Atmel-Synario® are the registered trademarks of Atmel.

Pentium® is the registered trademark of Intel Corporation; Windows® and Windows NT® are the registered trademarks of Microsoft Corporation; ByteBlaster™, ByteBlasterMV™, Jam™ and SVF2JAM™ are trademarks of Altera Corporation; CUPL Total Designer™ is a trademark of Logical Devices, Inc. Other terms and product names may be the trademark of others.



Printed on recycled paper.

1936A-07/01