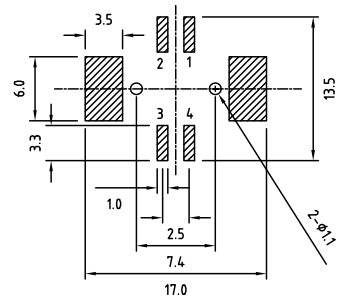
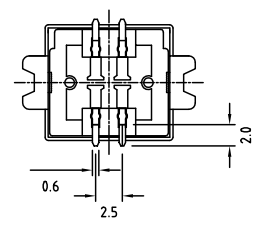
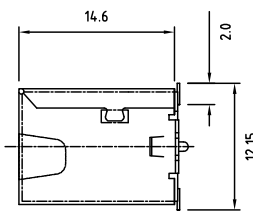
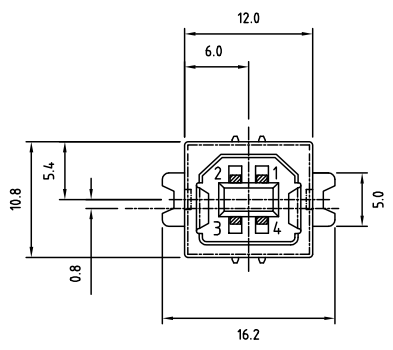
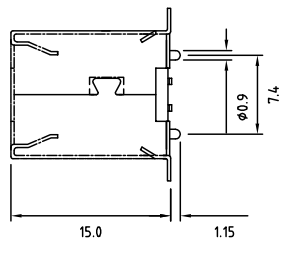


SIGN	DATE	DESCRIPTION	APPROVER
THIS IS CAD DRAWING, DO NOT REVISE MANUALLY!!!			



(COMPONENT SIDE)
PCB LAYOUT



- Material**
- Housing: Nylon PA9T
 - Flammability: UL94V-0
 - Terminal: Phosphor Bronze
 - Contact Plating: See options
 - Shell: Brass
 - Shell Plating: Nickel
- Ratings**
- Current: 1.5A
 - Voltage: 250V AC(r.m.s.)
 - Dielectric Voltage: 750V AC
 - Contact Resistance: <math><30m\Omega</math>
 - Insulation Resistance: >1,000 M Ω
 - Operating Temperature: -55° - +85°
 - Storage Temperature: -0° - +40°

RoHS Compliant

PLATING:
6: Selective Gold Flash (Std.)
8: Selective 30u" Gold

PART NUMBER:
USB-B1SMVSXX
COLOR:
B: Black
W: White



THESE DRAWINGS AND SPECIFICATIONS ARE THE PROPERTY OF ON-SHORE TECHNOLOGY, INC. AND SHALL NOT BE REPRODUCED, COPIED OR USED IN ANY MANNER WITHOUT THE PRIOR WRITTEN CONSENT OF ON-SHORE TECHNOLOGY, INC.

TITLE		USB - B type, Vertical, SMT			
PART NO.		USB-B1SMVSXX		DWG NO.	USB-B1SMVSXX.DWG
APPROVED	CHECKED	DESIGNED	DRAWN	3471	
Steven 2007.03.30	Marvin 2007.03.30	Marvin 2007.03.30	Marvin 2007.03.30	Tolerance	
				UNIT: mm	X* ±1"
				SCALE: NONE	XXX ±0.38
				SHEET: 01/01	XXXX ±0.25
				REV: A	XXXX ±0.13