

SIGN	DATE	DESCRIPTION	APPROVER
THIS IS CAD DRAWING, DO NOT REVISE MANUALLY!!!			

- Material**
- Insulator: PBT
 - Flammability: UL94V-0
 - Contacts: Copper Alloy
 - Contact Plating: See options
 - Shell: Copper Alloy

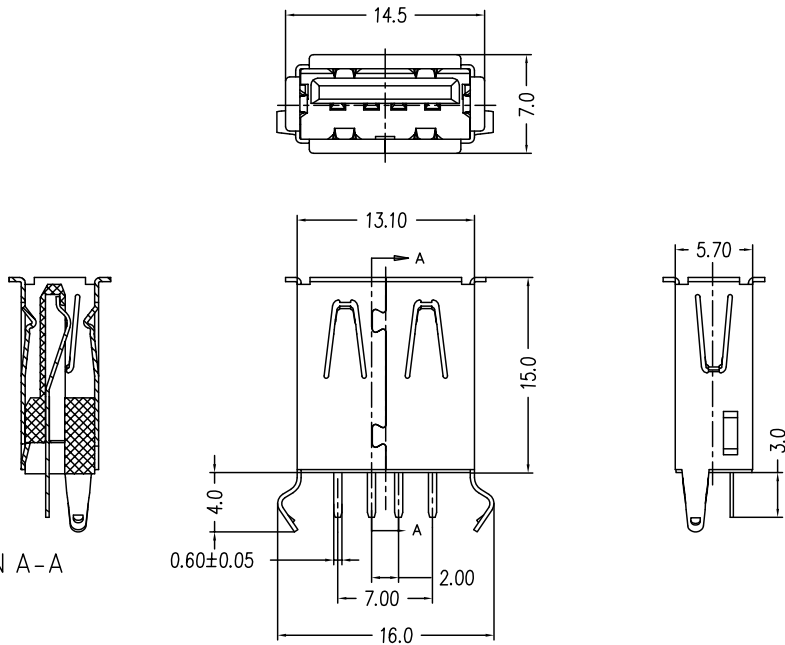
- Ratings**
- Current: 1.5A
 - Voltage: 30V AC(r.m.s.)
 - Dielectric Withstanding Voltage: 500V AC at sea level
 - Contact Resistance: $\leq 30m\Omega$
 - Insulation Resistance: >1,000 M Ω
 - Operating Temperature: -55° ~ +85°
 - Mating Force: 3.5Kg Max
 - Umating Force: 1Kg. Min

RoHS Compliant

PART NUMBER:

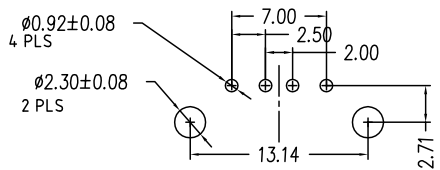
USB-A1VSXX

- COLOR:
B: Black
W: White
- PLATING:
6: Selective Gold Flash (Std.)
8: Selective 30u" Gold
9: Selective 50u" Gold



SECTION A-A

RECOMMEND PCB LAYOUT



THESE DRAWINGS AND SPECIFICATIONS ARE THE PROPERTY OF ON-SHORE TECHNOLOGY, INC. AND SHALL NOT BE REPRODUCED, COPIED OR USED IN ANY MANNER WITHOUT THE PRIOR WRITTEN CONSENT OF ON-SHORE TECHNOLOGY, INC.



TITLE		USB - A type, Vertical, thru hole, single port			
PART NO.		USB-A1VSXX		DWG NO. USB-A1VSXX.DWG	
APPROVED		CHECKED	DESIGNED	DRAWN	1200
		Marvin 2008.05.30	Marvin 2008.05.30	Marvin 2008.05.30	
					Tolerance X* ±1* XX ±0.30 XXX ±0.25 XXXX ±0.15
		UNIT: mm SCALE: NONE			SHEET: 01/01 REV: A