

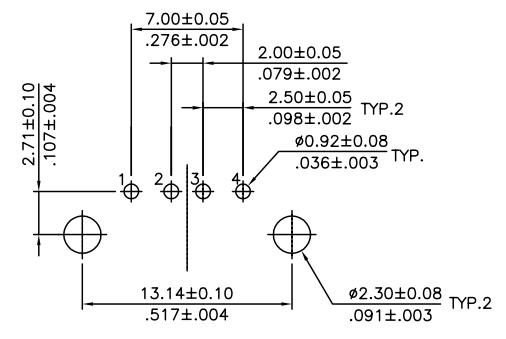
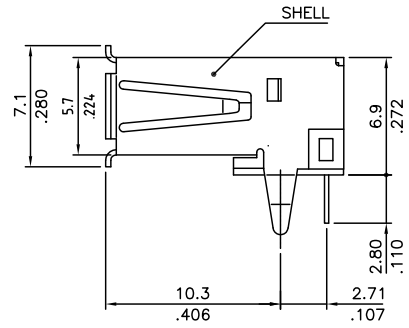
Material

- Insulator: Glass Filled Polyester
- Flammability: UL94V-0
- Contact: Phosphor Bronze
- Contact Plating: See options
- Shell: Brass
- Shell Plating: 80 Ni over 40u" Cu

Ratings

- Current: 1A
- Voltage: 30V AC(r.m.s.)
- Contact Res: $\leq 30m\Omega$
- Insulation Res: >1,000 M Ω
- Operating Temp: 0° - +85°
- Storage Temp: -40° - +60°

RoHS Compliant



Recommended P.C. Board Layout

PART NUMBER:
USB-A1HSXX

COLOR:
B: Black
W: White

PLATING:
6: Selective Gold Flash (Std.)
8: Selective 30u" Gold

THESE DRAWINGS AND SPECIFICATIONS ARE THE PROPERTY OF ON-SHORE TECHNOLOGY, INC. AND SHALL NOT BE REPRODUCED, COPIED OR USED IN ANY MANNER WITHOUT THE PRIOR WRITTEN CONSENT OF ON-SHORE TECHNOLOGY, INC.

OST		ON-SHORE TECHNOLOGY, INC.	
TITLE	USB - A type, Horizontal, thru hole		
PART NO.	USB-A1HSXX	DWG NO.	USB-A1HSXX.DWG
APPROVED	CHECKED	DESIGNED	DRAWN
	Marvin 2002.03.12	Marvin 2002.03.12	Marvin 2002.03.12
		4050	
		Tolerance	
		UNIT: mm/inches	
		SCALE: NONE	
		SHEET: 01/01	
		REV: A	
		X* ±" X.X ±0.30/.012 X.XX ±0.20/.008 X.XXX ±0.10/.004	