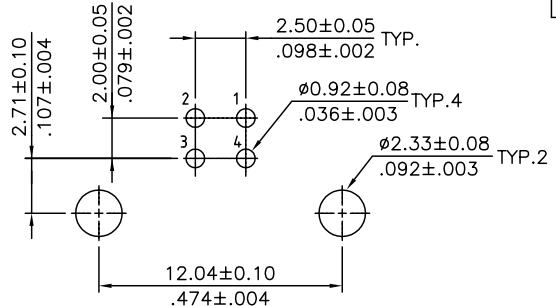
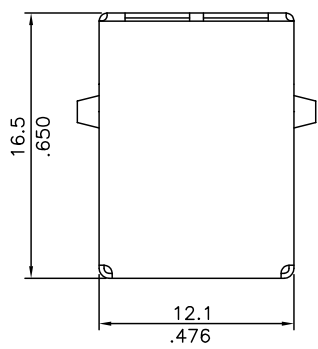
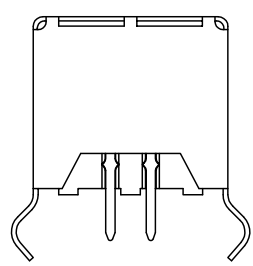
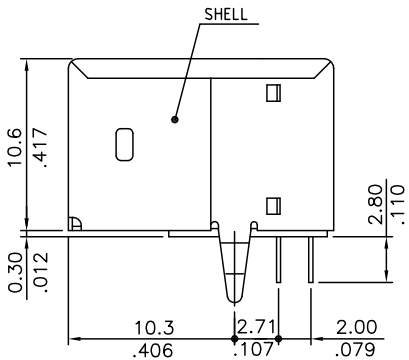
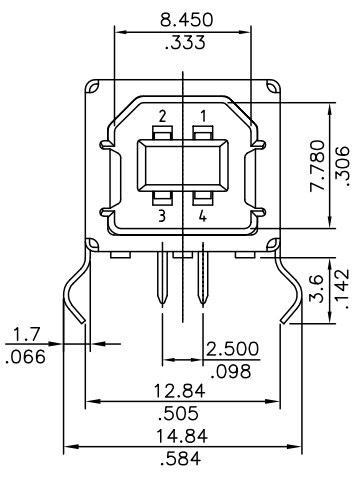


SIGN	DATE	DESCRIPTION	APPROVER
		<i>THIS IS CAD DRAWING, DO NOT REVISE MANUALLY!!!</i>	



- Material**
- Insulator: Glass Filled Polyester
 - Flammability: UL94V-0
 - Contacts: Phosphor Bronze
 - Contact Plating: See options
 - Shell: Brass
 - Shell Plating: 100u" Min. Tin over 40u" Nickel
- Ratings**
- Current: 1A
 - Voltage: 30V AC(r.m.s.)
 - Dielectric Voltage: 750V AC
 - Contact Resistance: $\le 30\text{m}\Omega$
 - Insulation Resistance: >1,000 M Ω
 - Operating Temperature: -40° - +60°
 - Storage Temperature: -0° - +40°
- RoHS Compliant



PART NUMBER:
USB-B1HSXX

COLOR:
B: Black
W: White

PLATING:
6: Selective Gold Flash (Std.)
8: Selective 30u" Gold



THESE DRAWINGS AND SPECIFICATIONS ARE THE PROPERTY OF ON-SHORE TECHNOLOGY, INC. AND SHALL NOT BE REPRODUCED, COPIED OR USED IN ANY MANNER WITHOUT THE PRIOR WRITTEN CONSENT OF ON-SHORE TECHNOLOGY, INC.

TITLE		USB - B type, Horizontal, thru hole				
PART NO.		USB-B1HSXX		DWG NO.		USB-B1HSXX.DWG
APPROVED		CHECKED	DESIGNED	DRAWN	4050	
Steven 2007.03.30	Marvin 2007.03.30	Marvin 2007.03.30	Marvin 2007.03.30	UNIT: mm/inches		Tolerance
				SCALE: NONE		X* ±1"
				SHEET: 01/01		XXX ±0.30/012
				REV.: A		XXXX ±0.20/008
						XXXX ±0.10/004