



Copyright FCI



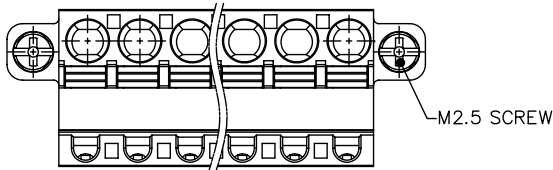
FCIconnect.com

1 | 2

3 |

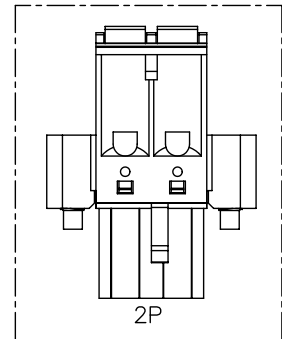
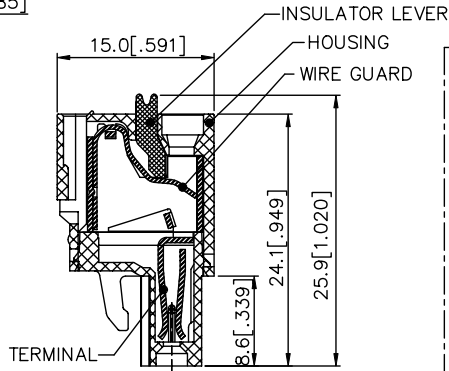
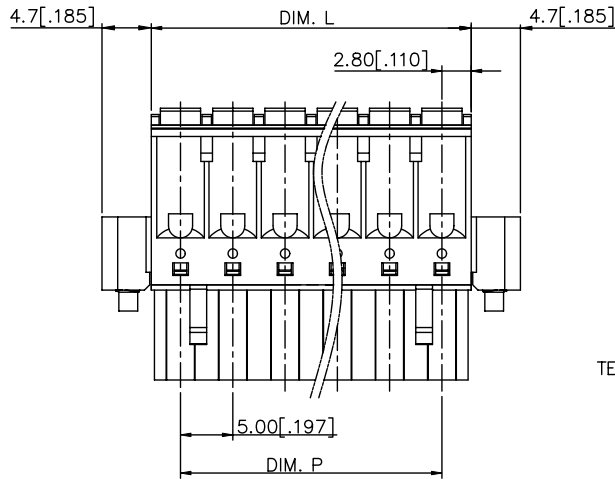
4

PRODUCT NUMBER	SERIES NAME	PITCH
20020035-GXXXXXLF	35-500	5.00 mm



N = Number of poles  
 DIM. L = (N x 5.00 [.197]) + 0.6 [.024]  
 DIM. P = (N - 1) x 5.00 [.197]

POLES	DIM. L	DIM. P
2-6p	±0.15 [.006]	
7-12p	±0.20 [.008]	
13-18p	±0.25 [.010]	
19-24p	±0.30 [.012]	



mat'l. code	surface ASME Y14.5	tolerance ASME Y14.5	projection MM [INCH]	product family TERMINAL BLOCK
ltr	ecn	no	dr	date
A				
tolerances unless otherwise specified				title TERMINAL BLOCK PLUGGABLE SIGNAL PLUG, DOWNSIDE CONTACT W/FLANGE
angles	0.1	X.±0.5	MM	
X±1°		X.X±0.3	[INCH]	
		X.XX±0.1	scale	
dr	WENDY CHEN	113010	FCI	dwg no
enr	JASON HSU	113010		sheet 2 of 3
chr	JASON HSU	113010		20020035
appd	JASON HSU	113010		A4
sheet index	revision sheet			type CUSTOMER Drawing

form: A4mmXLc

1 |

2 |

PDM: Rev:A 3 | STATUS:Released Printed: Jan 26, 2011 4

Copyright FCI



FCIconnect.com

1 | 2

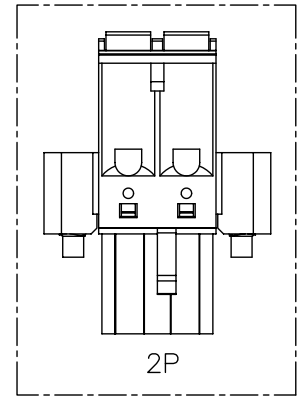
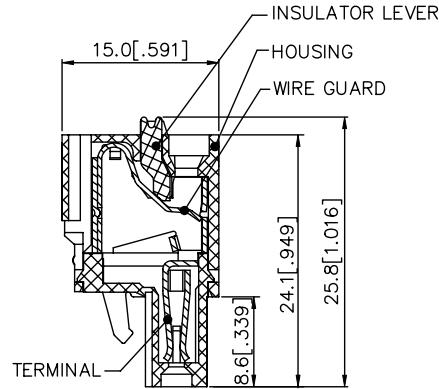
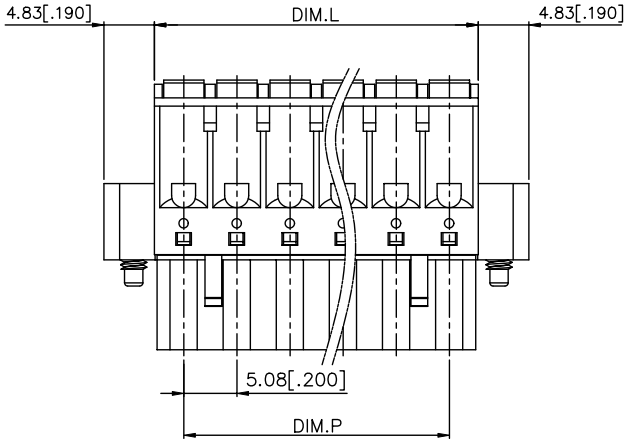
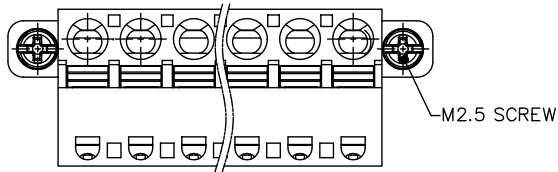
3

4

PRODUCT NUMBER	SERIES NAME	PITCH
20020035-HXXXXXL	35-508	5.08 mm

N = Number of poles  
 DIM. L = (N x 5.08 [.200]) + 0.5 [.020]  
 DIM. P = (N - 1) x 5.08 [.200]

POLES	DIM. L	DIM. P
2-6p	±0.15 [.006]	
7-12p	±0.20 [.008]	
13-18p	±0.25 [.010]	
19-24p	±0.30 [.012]	



mat'l. code	surface ASME Y14.5	tolerance ASME Y14.5	projection	product family
ltr	ecn	no	dr	date
A				
tolerances unless otherwise specified				title
angles	MM	INCH	scale	TERMINAL BLOCK
X ± 0.5	X.X ± 0.3	X.XX ± 0.1		PLUGGABLE SIGNAL PLUG, DOWNSIDE CONTACT W/FLANGE
dr	WENDY CHEN	113010		dwg no
enr	JASON HSU	113010		20020035
chr	JASON HSU	113010		sheet 3 of 3
appd	JASON HSU	113010		size A4
sheet index	revision sheet			type CUSTOMER Drawing

form: A4mmXLc

1 |

2

PDM: Rev:A 3 | STATUS: Released Printed: Jan 26, 2011 4