



Copyright FCI



FCIconnect.com



1 | 2

3 |

4

PRODUCT NUMBER
20020038-XXXXXXLF

20020038-□ □ □ □ B 0 □ L F

PITCH
G: 5.00 mm
H: 5.08 mm

POLES
02: 2 POLES
03: 3 POLES
.....
24: 24 POLES

LF : DENOTED RoHS COMPATIBLE

1 : STANDARD PRODUCT
W/ BOX PACKING

HOUSING CODE

CODE	COLOR	AVAILABILITY
1	GREEN(RAL 6018/T)	STANDARD
2	BLACK	ON REQUEST ONLY
3	GREY(RAL 7004/P)	ON REQUEST ONLY
4	BLUE(RAL 5015/A)	ON REQUEST ONLY

PROPERTY TABLE			
FCI SERIES NAME		35-500	35-508
PITCH (mm)		5.00	5.08
VOLTAGE RATING (VAC)		300	300
CURRENT RATING (A)		10	10
APPLICABLE WIRE RANGE (AWG)		1-WIRE 12~26 2-WIRE NA	12~26 NA
WIRE CROSS SECTION (mm ²)	SOLID	1-WIRE	2.5
		2-WIRE	NA
	STRANDED	1-WIRE	2.5
		2-WIRE	NA
OPENING CONTACT HOUSING(mm ²)		2.4x3.0	2.2x3.0
WIRE STRIP LENGTH(mm)		8~9	8~9
WITHSTANDING VOLTAGE (kV)		1.6	1.6
OPERATING TEMP. (°C)		-40~+115	-40~+115
POLES AVAILABLE		02~24	02~24
SAFETY CERTIFICATE			

NOTES:

1. MATERIALS

- 1-1 HOUSING: THERMALPLASTIC RESIN, UL 94V-0 RATED.
- 1-2 INSULATING LEVER: THERMALPLASTIC RESIN, UL 94V-0 RATED.
- 1-3 WIRE GUARD : STAINLESS STEEL.
- 1-4 TERMINAL: COPPER ALLOY, TIN PLATED.

2. PRODUCT SPECIFICATION REFER TO FCI GS-12-625.

3. PRODUCT PACKING SPECIFICATION REFER TO FCI GS-14-1394.

4. FCI, SAFETY CERTIFICATE LOGO AND SERIES NAME TO BE SHOWN ON PRODUCT SURFACE.

5. THE PRODUCTS WHERE THE PART NUMBER END IN "LF" MEET THE EUROPEAN UNION DIRECTIVE AND OTHER COUNTRY REGULATIONS AS DESCRIBED IN GS-22-008.

mat'l. code	surface ASME Y14.5	tolerance ASME Y14.5	projection	product family
ltr	ecn no	dr	date	tolerances unless otherwise specified
A	T11-0004	WL	011811	angles
				X±0.5
				X.X±0.3
				X.XX±0.1
		dr	WENDY CHEN	122710
		enrg	JASON HSU	122710
		chr	JASON HSU	122710
		appd	JASON HSU	122710
sheet index	revision sheet	A	A	A
		1	2	3



product family
TERMINAL BLOCK
TERMINAL BLOCK
PLUGGABLE SIGNAL PLUG, DOWNSIDE CONTACT
WITHOUT FLANGE
dwg no
20020038
sheet 1 of 3
size
A4
type
CUSTOMER Drawing

form: A4mmXLc

1 |

2 |

PDM: Rev:A 3 |

STATUS: Released

Printed: Jan 26, 2011 4

Copyright FCI



FCIconnect.com

1 | 2

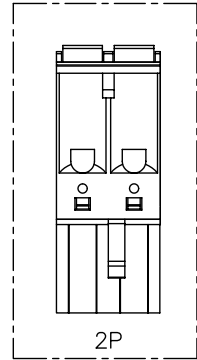
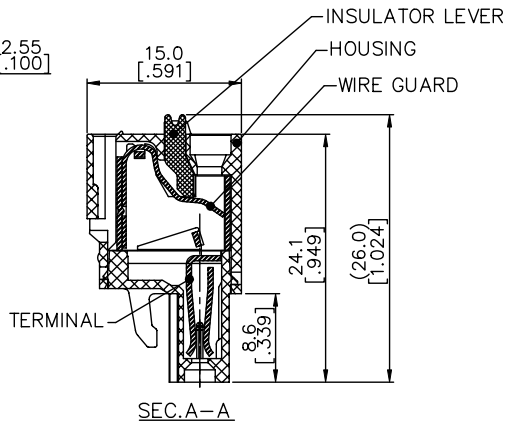
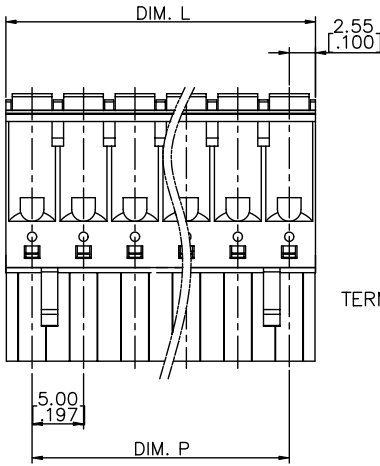
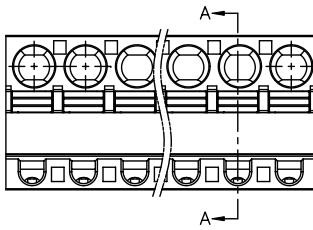
3

4

PRODUCT NUMBER	SERIES NAME	PITCH
20020038-GXXXXXLf	35-500	5.00 mm

N = Number of poles
 DIM. L = (N x 5.00 [.197]) + 0.1 [.004]
 DIM. P = (N - 1) x 5.00 [.197]

POLES	DIM. L	DIM. P
2-6p	±0.15 [.006]	
7-12p	±0.20 [.008]	
13-18p	±0.25 [.010]	
19-24p	±0.30 [.012]	



mat'l. code	surface ASME Y14.5	tolerance ASME Y14.5	projection	product family
ltr	ecn	no	dr	date
A				
tolerances unless otherwise specified				title
angles	MM	INCH	scale	TERMINAL BLOCK
X ± 1°	X ± 0.5	X.X ± 0.3	X.XX ± 0.1	TERMINAL BLOCK PLUGGABLE SIGNAL PLUG, DOWNSIDE CONTACT WITHOUT FLANGE
dr	WENDY CHEN	122710		dwg no
enr	JASON HSU	122710		20020038
chr	JASON HSU	122710		sheet 2 of 3
appd	JASON HSU	122710		size
sheet index	revision sheet			A4
				type
				CUSTOMER Drawing

form: A4mmXLc

1

2

PDM: Rev:A 3 | STATUS: Released Printed: Jan 26, 2011 4

Copyright FCI



FCIconnect.com

1 | 2

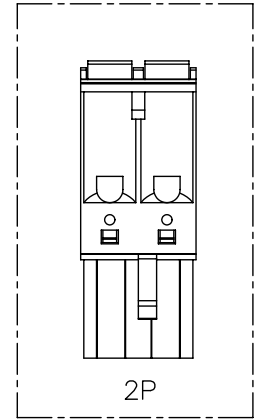
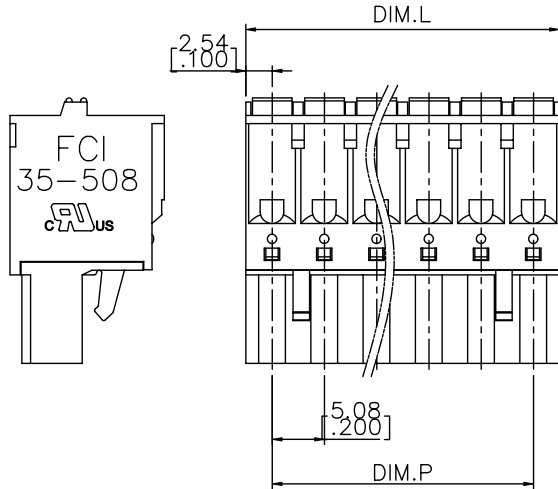
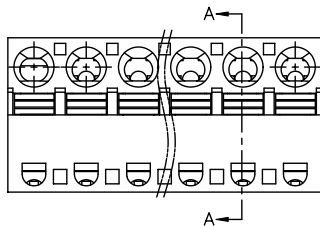
3

4

PRODUCT NUMBER	SERIES NAME	PITCH
20020038-HXXXXXXLF	35-508	5.08 mm

N = Number of poles
 DIM. L = (N x 5.08) [.200]
 DIM. P = (N - 1) x 5.08 [.200]

POLES	DIM. L	DIM. P
2-6p	±0.15 [.006]	
7-12p	±0.25 [.010]	
13-18p	±0.30 [.012]	
19-24p	±0.40 [.016]	



mat'l. code	surface ASME Y14.5	tolerance ASME Y14.5	projection	product family
ltr	ecn	no	dr	date
A				
tolerances unless otherwise specified				title
angles	SI	X.±0.5	MM	TERMINAL BLOCK
X±1°	EN	X.X±0.3	[INCH]	PLUGGABLE SIGNAL PLUG, DOWNSIDE CONTACT
		X.XX±0.1	scale	WITHOUT FLANGE
dr	WENDY CHEN	122710	FCI	dwg no
enrg	JASON HSU	122710		sheet 3 of 3
chr	JASON HSU	122710		size
appd	JASON HSU	122710		A4
sheet index	revision sheet			type
				CUSTOMER Drawing

form: A4mmXLc

1

2

PDM: Rev:A 3 | STATUS:Released Printed: Jan 26, 2011 4