

PRODUCT NUMBER  
76745-YXX-XXLF

- WHEN REQUIRED, ADD SUFFIX LETTER "LF" INDICATES THE PRODUCT IS RoHS COMPATIBLE, SEE NOTE 6
- TOTAL NB OF POS (04 TO 72 POS)
- PIN STYLE

PLATING

- 1 = 0.76µm GOLD/GXT, OVER 1.27µm Ni MIN
- 8 = 0.38µm GOLD/GXT OVER 1.27µm Ni MIN
- 3 = 3.81µm TIN/LEAD OVER 1.27µm Ni MIN

- WHEN "LF" IS REQUIRED, 2µm MATTE TIN OVER 1.27µm MIN NICKEL IS PROVIDED INSTEAD OF TIN-LEAD

NOTES:

1. HOUSING MAT'L : HIGH TEMPERATURE THERMOPLASTIC. UL94V-0 COLOR: BLACK.
2. PIN MATERIAL : PHOSPHOR BRONZE.
3. 12N MIN RETENTION IN EITHER DIRECTION.
4. TO DETERMINE DIMENSIONS :  
N = NUMBER OF POSITIONS PER ROW  
EXAMPLE : 8 POS PER ROW, N x 2.54 = 20.32mm
5. FOR STANDARD SELECTIVE GOLD PLATED PRODUCTS SEE DRAWINGS 54112 & 54122.
6. STANDARD PACKAGING IN POLYBAGS
7. RoHS COMPATIBLE PRODUCT SPECIFICATIONS

a - PLATING:

- "LF" MEANS THE PRODUCT IS LEAD-FREE, 2µm MINIMUM MATTE TIN OVER 1.27µm MINIMUM NICKEL UNDERPLATE.

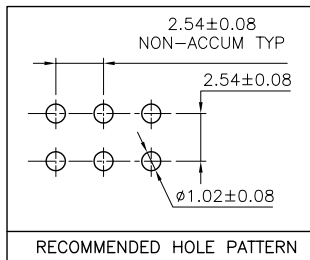
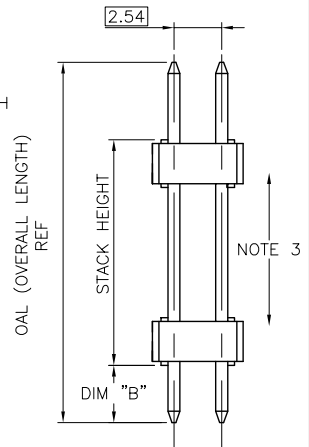
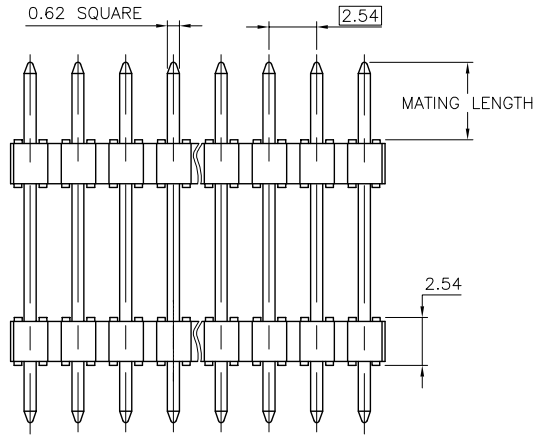
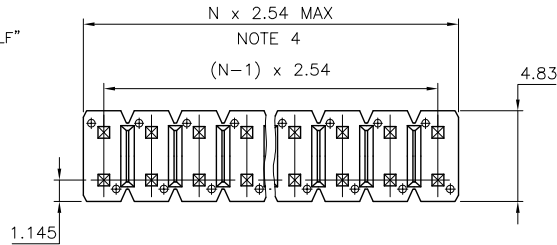
b - MANUFACTURING PROCESS COMPATIBILITY

- THE HOUSING WILL WITHSTAND EXPOSURE TO 260°C ±5°C SOLDER BATH TEMPERATURE FOR WITH A 1.6mm MIN THICK CIRCUIT BOARD.

c - LABELING:

- MEETS PACKAGING SPECS AS PER GS-14-920

d - LEGAL STATEMENT: SEE GS-22-008



mat'l. code		surface	tolerance	projection	product family
SEE NOTES		ISO 1302	ISO 406 ISO 1101		BSTIK
Ltr	ecn no	dr	date	tolerances unless otherwise specified	title
EX	F11-0045	LMU	11.04.05	xx ±0.3 xxx ±0.13 xxx ±0.05	HEADER STR,DR DOUBLE BODY
ES	F07-0266	JCO	07.10.15	linear	scale 5:1
ET	F08-0148	JCO	08.05.27	dr	NIZZI P
EU	F08-0236	LMU	09.11.13	engr	COMPAGNON J
EV	F10-0221	LMU	10.09.08	chr	
EW	F10-0259	LMU	10.12.19	appd	JMC
sheet	revision	EX	BW	C	
index	sheet	1	2	3	



PDM: Rev:EX

STATUS Released

Printed: Apr 07, 2011

APPLICATION SPECIFIC					APPLICATION SPECIFIC					APPLICATION SPECIFIC				
PIN STYLE	MATING LENGTH ±0.2	STACK HEIGHT ±0.25	"B" ±0.25	("OAL") REF	PIN STYLE	MATING LENGTH ±0.2	STACK HEIGHT ±0.25	"B" ±0.25	("OAL") REF	PIN STYLE	MATING LENGTH ±0.2	STACK HEIGHT ±0.25	"B" ±0.25	("OAL") REF
01	8.71	19.76	2.65	31.12	58	23.0	8.5	5.5	36.97	CG	6.0	40.0	6.0	52.0
02	6.87	16.5	3.05	26.42	59	9.0	18.2	9.0	36.2	CH	11.02	12.0	3.02	26.04
03	6.87	13.0	3.63	23.5	62	9.2	9.3	3.5	22.0	CK	8.55	26.0	3.4	37.95
04	5.6	6.5	2.88	14.98	68	6.75	8.0	2.9	17.65	CN	7.08	5.60	7.08	19.77
05	5.51	8.0	3.05	16.56	70	6.95	16.44	2.7	26.04	CP	9.50	7.00	2.41	18.91
06	6.61	11.3	3.05	20.96	71	6.8	5.2	2.69	14.69	CR	7.47	24.40	5.10	36.97
07	5.58	10.3	2.54	18.42	72	6.9	11.0	2.75	20.65	CS	8.30	5.50	5.97	19.77
08	5.81	7.7	3.05	16.56	73	11.1	6.35	3.2	20.65	CT	11.0	6.0	11.0	28.0
09	5.72	5.08	2.54	13.34	74	14.3	11.0	3.11	28.41	CU	9.75	13.0	9.75	32.5
10	6.9	10.45	2.71	20.06	75	6.9	24.0	3.1	34.0	CV	9.44	13.00	3.60	26.04
11	11.2	9.5	2.8	23.5	79	9.95	39.0	3.05	52.0	CW	5.00	36.00	5.00	46.00
12	3.11	8.0	3.11	14.22	80	5.68	7.0	2.3	15.0	CX	10.00	26.00	6.00	42.00
13	9.07	6.3	3.05	18.42	83	13.2	8.0	3.7	24.9	CY	10.9	18.20	10.9	40.00
14	5.33	21.5	2.48	29.31	85	9.25	11.2	3.05	23.5	CZ	5.5	23.00	5.50	34.00
15	13.26	10.11	3.05	26.42	88	10.8	8.0	3.7	22.5	DA	13.00	14.50	6.50	34.00
17	7.5	23.45	3.05	34.0	97	10.3	34.0	5.7	50.0	DB	12.75	8.50	12.75	34.00
18	7.5	18.85	2.96	29.31	AM	8.46	5.08	8.46	22.0	DC	SEE SHEET 3			
19	9.5	10.45	3.55	23.5	AN	10.0	29.0	3.0	42.0	DE	6.00	34.00	6.00	46.00
21	11.96	18.5	3.2	33.66	AT	8.0	13.3	2.2	23.5	DF	9.12	7.80	9.12	26.04
23	9.0	25.9	3.05	37.95	BA	10.5	9.0	10.5	29.98	DG	3.50	43.00	3.50	50.00
24	8.87	14.5	3.05	26.42	BB	8.5	11.5	5.4	25.4	DH	6.50	8.00	6.50	21.00
25	9.84	11.43	9.85	31.12	BD	11.7	13.5	3.21	28.41	DJ	5.80	17.75	5.80	29.31
26	7.5	8.38	2.54	18.42	BE	9.2	6.5	9.2	24.9	DK	5.40	9.00	2.90	17.30
28	6.6	8.25	2.8	17.65	BM	11.5	11.5	3.04	26.04	DL	9.00	8.50	6.00	23.50
29	9.1	15.7	3.2	28.0	BR	7.8	32.3	4.35	44.45	DM	7.40	23.70	3.30	34.40
30	8.0	14.35	2.55	24.9	BT	8.5	35.0	8.5	52.0	DN	7.40	12.10	3.30	22.80
31	8.0	22.8	3.2	34.0	BV	14.8	18.9	3.27	36.97	DP	8.00	16.80	5.40	30.20
34	8.0	12.0	3.0	23.0	BW	7.7	29.0	3.3	40.0	DR	6.40	15.00	6.40	27.80
35	7.41	7.7	2.54	17.65	BX	13.8	5.1	8.9	27.8	DS	7.00	29.00	7.00	43.00
36	10.55	7.5	10.53	28.58	CB	9.0	30.0	3.0	42.0	DT	9.80	27.40	9.80	47.00
37	5.72	20.44	7.5	33.66	CD	9.24	12.0	9.24	30.48	DU	9.50	36.50	9.50	55.50
40	7.0	6.5	3.06	16.56	CE	3.10	11.45	3.10	17.65	DV	9.30	6.30	5.80	22.00
41	7.72	9.0	3.05	19.77	CF	8.25	16.0	8.25	32.5	DW	5.30	40.40	3.30	49.00
47	5.59	13.0	3.05	21.64										
48	8.54	16.5	2.96	28.0										
51	5.6	10.0	2.99	18.59										
52	9.0	7.96	4.0	20.96										
53	5.69	9.0	3.9	18.59										
54	9.91	13.08	3.05	26.04										
55	13.0	20.0	3.2	36.2										
57	11.78	5.08	3.23	20.06										

mat'l. code		surface	tolerance	projection	product family
ISO 1302		ISO 406	ISO 1101		BSTIK
tolerances unless otherwise specified		mm		title	
angles		linear		HEADER STR,DR	
scale		scale		DOUBLE BODY	
scale		scale		dwg no	
scale		scale		76745	
scale		scale		sheet 2 of - size	
scale		scale		A3	
scale		scale		type	
scale		scale		CUSTOMER Drawing	

PDM: Rev:EX STATUS Released Printed: Apr 07, 2011

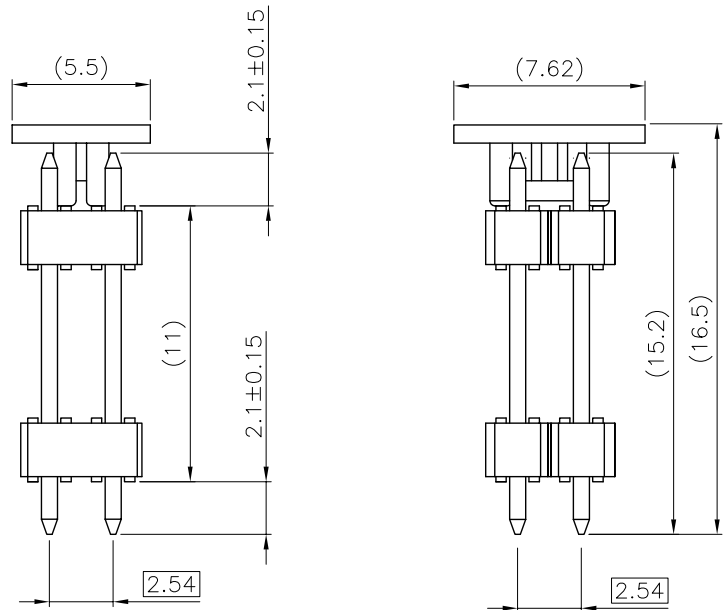
SPECIFIC PRODUCT NUMBER

76745-3DCA04LF

- RoHs COMPLIANT
- TOTAL NB OF POS
- PACKAGING TYPE, SEE NOTE 1
- PIN STYLE
- PLATING
- 3 = 2µm MATTE TIN  
OVER 1.27µm Ni MIN

NOTES :

1. PACKAGING : A = TAPE & REEL PACKAGING  
WITH PICK UP CAP INSTALLED  
SEE TA 840
2. PRODUCT COMPATIBLE WITH REFLOW PROCESS.  
255°C PEAK TEMPERATURE 10-40 SECONDES IN  
A CONVECTION, INFRA-RED OR VAPOR PHASE



mat'l. code		surface	tolerance	projection	product family
		ISO 1302	ISO 406 ISO 1101		BSTIK
ltr	ecr no	dr	date	title	
A	F06-110	LMU	06.01.26	HEADER STR,DR	
B	F06-0196	LMU	06.06.20	DOUBLE BODY	
C	F07-0266	J.CO	07.10.15		
		angles	linear	mm	
		dr	L.MULIN	06.01.31	dwg no
		app	MPAGNON	06.01.31	76745
		chr			sheet 3 of - size
		appd	JMC	06.01.31	A3
sheet index		revision sheet			type
					CUSTOMER Drawing

PDM: Rev:EX

STATUS Released

Printed: Apr 07, 2011