

REVISION BA

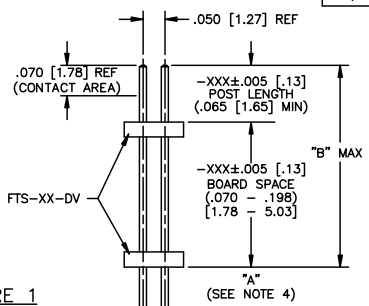
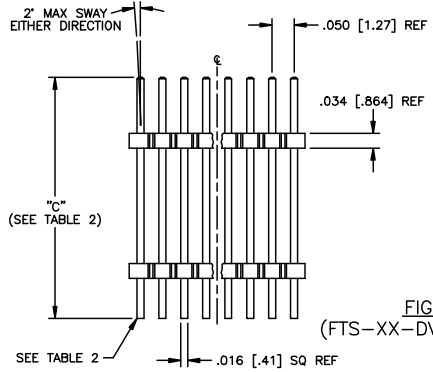
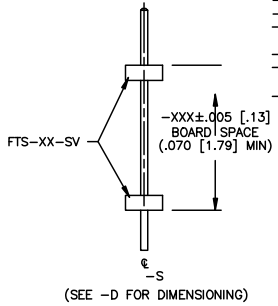
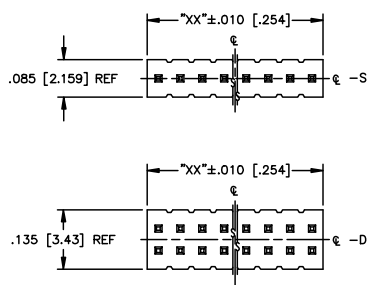
DO NOT SCALE FROM THIS PRINT

**TABLE 1**

| TAIL STYLE | "A"         | "B" MAX      |
|------------|-------------|--------------|
| -01        | .045 [1.14] | .755 [19.18] |
| -02        | .075 [1.91] | .725 [18.42] |
| -04        | .090 [2.29] | .710 [18.03] |

**TABLE 2**

| TERMINAL     | "C"                         | ROW OPTION |
|--------------|-----------------------------|------------|
| T-1S15-10-XX | .401 [10.19] - .750 [19.05] | D          |
| T-1S15-03-XX | .401 [10.19] - .750 [19.05] | S          |
| T-1S15-04-XX | .170 [4.32] - .400 [10.16]  | D,S        |
| T-1S15-05-XX | .751 [19.08] - .800 [20.32] | D,S        |



**FIGURE 1**  
(FTS-XX-DV BODY STYLE)

UNLESS OTHERWISE NOTED TOLERANCES ARE:  
 ONE PLACE DECIMALS ± .1 [2.54] THREE PLACE DECIMALS ± .005 [1.3]  
 TWO PLACE DECIMALS ± .01 [2.5] FOUR PLACE DECIMALS ± .0020 [0.05]  
 ANGLES ± 5°

FW-XX-XX-XX-X-XXX-XXX-XX

POSITION SPEC  
 No OF POS PER ROW  
 -02 THRU -50  
 "XX" = No OF POS x .050 [1.27]

TAIL STYLE  
 SEE TABLE 1  
 (SEE TABLE 2 FOR TERMINAL PIN)

PLATING  
 -L: LIGHT SELECTIVE (USE T-1S15-XX-L)  
 -F: FLASH GOLD (USE T-1S15-XX-F)  
 -G: GOLD (OVER ENTIRE PIN)  
 (USE T-1S15-XX-G)  
 -H: HEAVY GOLD (USE T-1S15-XX-H)  
 -LM: LIGHT SELECTIVE GOLD, MATTE TIN TAIL  
 (USE T-1S15-XX-L)  
 -FM: FLASH SELECTIVE GOLD, MATTE TIN TAIL  
 (USE T-1S15-XX-F)

OPTION  
 -ES: END SHROUDS (SEE FIG. 4, SHT 2)  
 (9 POS PER ROW MIN)  
 (MAX POST: .075 [1.91])  
 (SEE NOTE 6)  
 -EP: GUIDE POST (FIG. 3, SHT 2)  
 (9 POS PER ROW MIN)  
 (MAX POST: .075 [1.91])  
 (USE ONLY WHEN MATING WITH CLP)  
 (SEE NOTE 6)

POST LENGTH  
 -XXX ± .005 [1.3]  
 .065 [1.65] MIN.

BOARD SPACE  
 -XXX ± .005 [1.3]  
 (.070 [1.78] MIN.) SEE TABLE 1 FOR MAX.

ROW OPTION  
 -D: DOUBLE (SEE TABLE 3)  
 -S: SINGLE (USE 2 FTS-50-SV)

DO NOT DESIGN -S: SINGLE ROW IN!!  
 SAMTEC WILL ONLY SUPPORT EXISTING  
 BUSINESS AS OF 10/17/97.

**TABLE 4**

| LEAD STYLE  | OPTIONS | BOARD STYLE/HEIGHT | * "C" DIMENSION | FOR DOUBLE ROW OPTIONS ONLY PACKAGING TUBE | PLUG  |
|-------------|---------|--------------------|-----------------|--|-------|
| -01,-02,-04 | NONE    | FTS                | 0-.350          | PT-FW001-D-.070-.198                       | TP-24 |
| -01,-02,-04 | NONE    | FTSH               | 0-.415          | PT-FW002-D-.199-.253                       | TP-24 |
| -01,-02,-04 | NONE    | FTSH               | .416-.800       | PT-FW003-D-.254-.690                       | TP-24 |
| -01,-02,-04 | EP,ES   | .199-.690          | .800 MAX        | PT-FW004-0X-D-EX                           | TP-24 |
| -01,-02,-04 | NONE    | FTS                | .351-.800       | PT-FW007-D-.070-.198                       | TP-24 |

\*"C" DIMENSION = POST LENGTH + BOARD SPACE + "A" (SEE TABLE 1)

- NOTES:
1. MAX ALLOWABLE BOW: .003 IN/IN AFTER ASSEMBLY.
  2. PUSHOUT FORCE SHALL BE .5 LB MIN. ON BOARD STYLE .070-.198 AND 1 LB MIN ON BOARD STYLE .199-.690
  3. GOLD AREA TO APPEAR ON POST.
  4. TAILS SHEARED TO DIMENSIONS SHOWN.
  5. LAYER PACKAGE POSITIONS 2 - 10. TUBE PACKAGE POSITIONS 11 - 50.
  6. AVAILABLE ONLY W/BOARD SPACE .215 TO .610
  7. "B" = POST DIMENSION + BOARD SPACE.
  8. MAX CUT FLASH: .010 [2.5].
  9. FILL BODY SO THAT THE LEAD IN OF THE CORE IS ON THE TAIL SIDE.

**TABLE 3 \***

| BOARD STYLE | BODY STYLE | FIG.            |
|-------------|------------|-----------------|
| .070 - .198 | FTS-XX-DV  | 1               |
| .199 - .690 | FTSH-XX-D  | 2 (SEE SHEET 2) |

\* THIS TABLE APPLIES TO DOUBLE ROW ASSEMBLIES ONLY. ALL SINGLE ROW ASSEMBLIES USE FTS-XX-SV

MATERIAL:  
 FW-50-D &  
 FTS-50-D  
 COLOR: BLACK  
 ZENITE #130L  
 COLOR: NATURAL  
 TERMINAL:  
 PHOS BRONZE  
 MAX FLASH ALLOWED:  
 .002 [0.05]  
 MAX GATE VESTIGE  
 ALLOWED: .002 [0.05]

EXISPROD\ASSEMBLY\050  
 FW-ASM

**samtec**

520 PARK EAST BLVD. NEW ALBANY, INDIANA 47150  
 PHONE (812) 944-6733 P.O. BOX 1147  
 CODE 55322

MADE BY: BRATCHER 4-8-94

FW-XX-XX-XX-X-XXX-XXX-XX  
 SHEET 1 OF 2

**PROPRIETARY NOTE**  
 THIS DOCUMENT CONTAINS INFORMATION CONFIDENTIAL AND PROPRIETARY TO SAMTEC INC. AND SHALL NOT BE REPRODUCED OR TRANSMITTED IN ANY FORM OR BY ANY MEANS, ELECTRONIC OR MECHANICAL, INCLUDING PHOTOCOPYING, RECORDING, OR BY ANY INFORMATION STORAGE AND RETRIEVAL SYSTEM, WITHOUT THE EXPRESS WRITTEN CONSENT OF SAMTEC INC.