

(0,50mm) .01969"

LTH, LSH SERIES

LSH-030-01-G-D-A



LSH-050-01-G-D-A



LSH-010-01-G-D-A



LTH-050-01-G-D-A



LTH-030-01-G-D-A



LTH-010-01-G-D-A



SPECIFICATIONS

For complete specifications and recommended PCB layouts see www.samtec.com?LTH or www.samtec.com?LSH

Insulator Material:
Liquid Crystal Polymer
Terminal Material:
Phosphor Bronze
Contact Material:
BeCu



Plating:
Au over 50µ" (1,27µm) Ni
Current Rating:
1.5A @ 80°C ambient
Operating Temp Range:
-55°C to +125°C
RoHS Compliant:
Yes

Processing:

Lead-Free Solderable:
No
SMT Lead Coplanarity:
(0,10mm) .004" max
Board Stacking:
For applications requiring more than two connectors per board, contact ipg@samtec.com



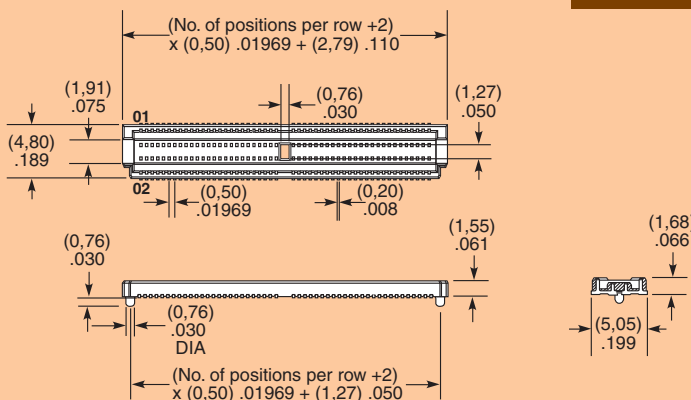
Mates with: LSH

-010, -020, -030, -040, -050

-G
= 10µ" (0,25µm) Gold

-K
= (5,50mm) .217" DIA Polyimide Film Pick & Place Pad

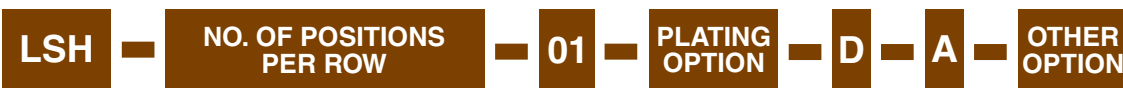
-TR
= Tape and Reel



MATED HEIGHT

LEAD STYLE	MATED HEIGHT*
-01	(2,31) .091

*Processing conditions will affect mated height.



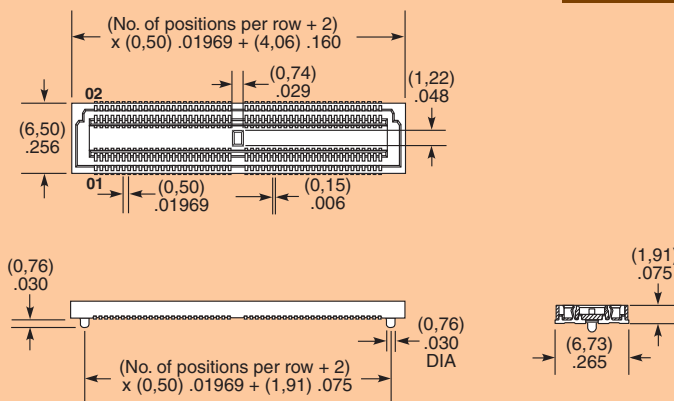
Mates with: LTH

-010, -020, -030, -040, -050

-G
= 10µ" (0,25µm) Gold

-K
= (7,50mm) .295" DIA Polyimide Film Pick & Place Pad

-TR
= Tape and Reel



Note: Samtec recommends right-side-up, single-pass 63/37 Tin/Lead reflow soldering for these connectors. This product is not compatible with lead-free reflow soldering.

Note: Some lengths, styles and options are non-standard, non-returnable.

Due to technical progress, all designs, specifications and components are subject to change without notice.

WWW.SAMTEC.COM