

**(0,50mm) .01969"**

**LTH, LSH SERIES**

LSH-030-01-G-D-A



LSH-050-01-G-D-A



LSH-010-01-G-D-A



LTH-050-01-G-D-A



LTH-030-01-G-D-A



LTH-010-01-G-D-A



**SPECIFICATIONS**

For complete specifications and recommended PCB layouts see [www.samtec.com?LTH](http://www.samtec.com?LTH) or [www.samtec.com?LSH](http://www.samtec.com?LSH)

**Insulator Material:**

Liquid Crystal Polymer



**Terminal Material:**

Phosphor Bronze

**Contact Material:**

BeCu

**Plating:**

Au over 50µ" (1,27µm) Ni

**Current Rating:**

1.5A @ 80°C ambient

**Operating Temp Range:**

-55°C to +125°C

**RoHS Compliant:**

Yes

**Processing:**

**Lead-Free Solderable:**

No

**SMT Lead Coplanarity:**

(0,10mm) .004" max

**Board Stacking:**

For applications requiring more than two connectors per board, contact [ipg@samtec.com](mailto:ipg@samtec.com)



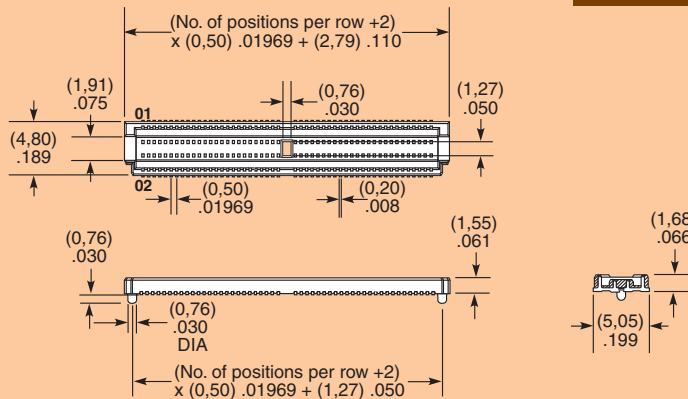
Mates with: LSH

**-010, -020, -030, -040, -050**

**-G**  
= 10µ" (0,25µm) Gold

**-K**  
= (5,50mm) .217" DIA Polyimide Film Pick & Place Pad

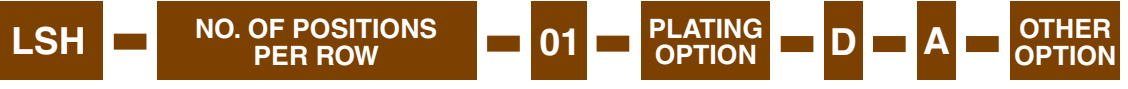
**-TR**  
= Tape and Reel



**MATED HEIGHT**

LEAD STYLE	MATED HEIGHT*
-01	(2,31) .091

\*Processing conditions will affect mated height.



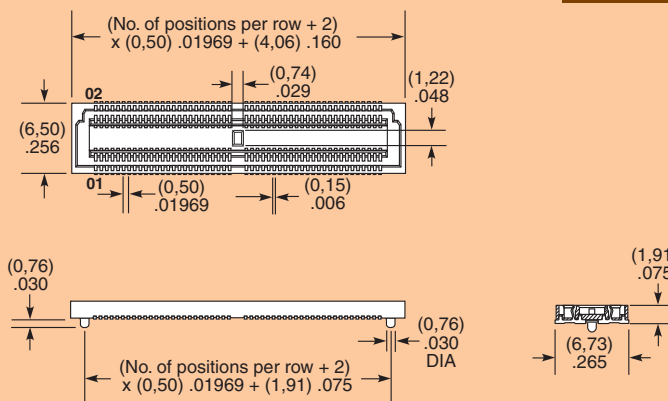
Mates with: LTH

**-010, -020, -030, -040, -050**

**-G**  
= 10µ" (0,25µm) Gold

**-K**  
= (7,50mm) .295" DIA Polyimide Film Pick & Place Pad

**-TR**  
= Tape and Reel



**Note:** Samtec recommends right-side-up, single-pass 63/37 Tin/Lead reflow soldering for these connectors. This product is not compatible with lead-free reflow soldering.

**Note:** Some lengths, styles and options are non-standard, non-returnable.

Due to technical progress, all designs, specifications and components are subject to change without notice.

[WWW.SAMTEC.COM](http://WWW.SAMTEC.COM)