



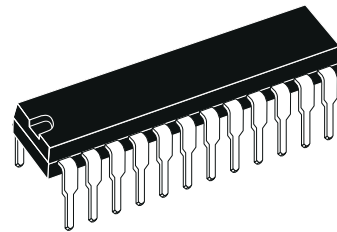
## BUS-CONTROLLED AUDIO MATRIX SWITCH

- 5 Stereo Inputs
- 4 Stereo Outputs
- Gain Control 0/2/4/6dB/Mute for each Output
- cascadable (2 different addresses)
- Serial Bus Controlled
- Very low Noise
- Very low Distorsion

### DESCRIPTION

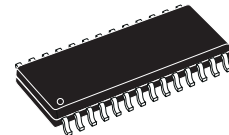
The TEA6420 switches 5 stereo audio inputs on 4 stereo outputs.

All the switching possibilities are changed through the I<sup>2</sup>C bus.



**SHRINK DIP 24  
(Plastic Package)**

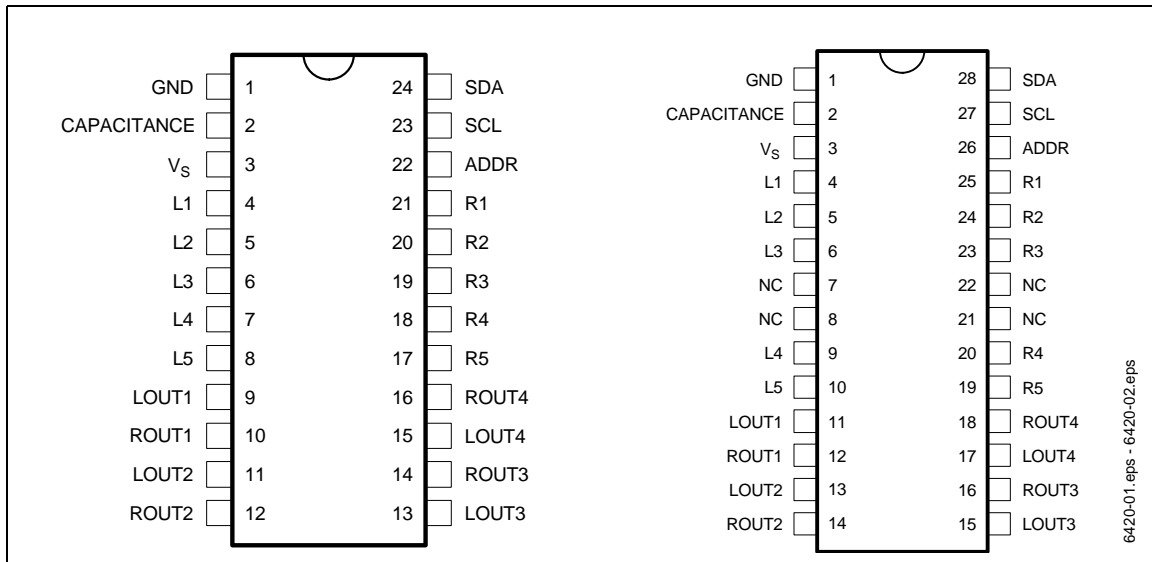
**ORDER CODE: TEA6420**



**SO28  
(Plastic Micropackage)**

**ORDER CODE: TEA6420D**

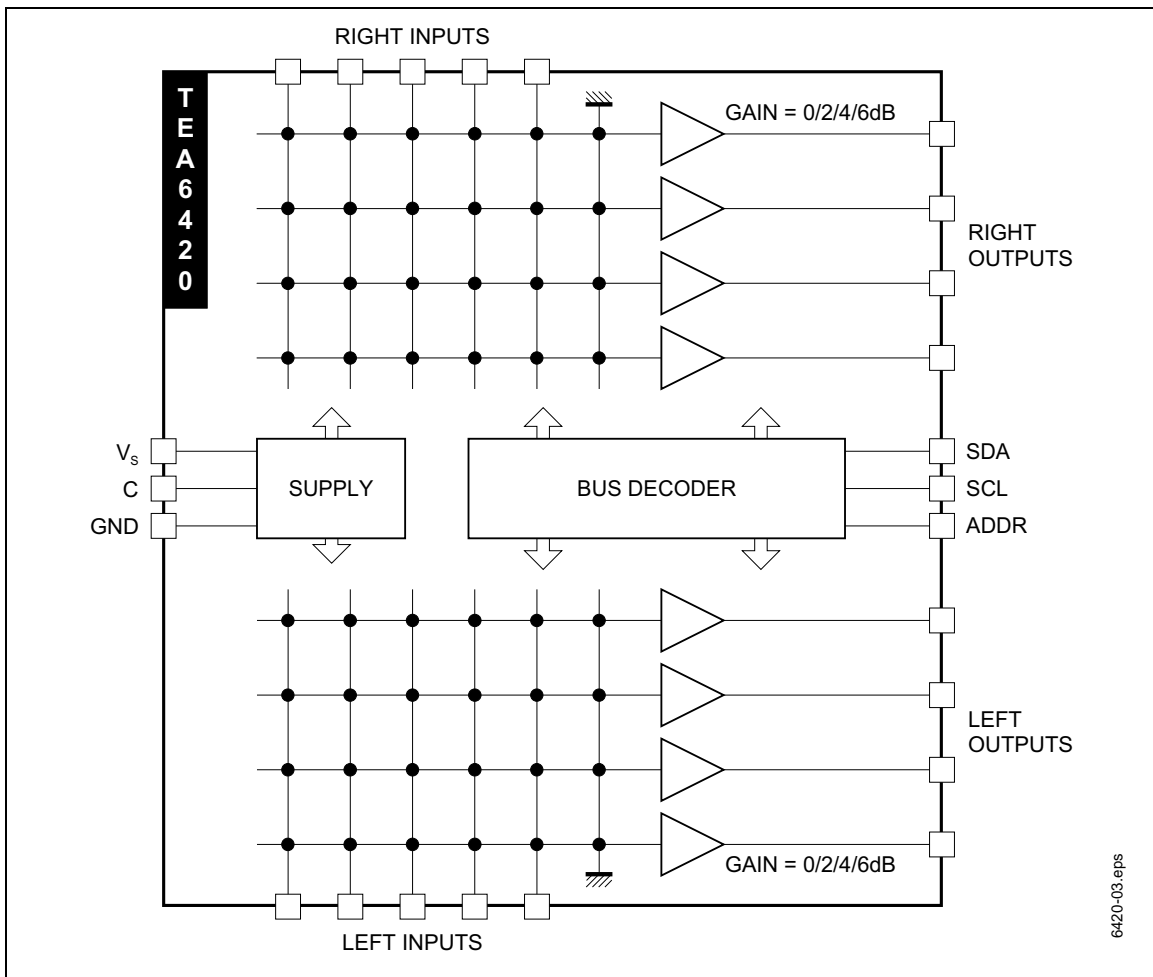
**Figure 1. PIN CONNECTIONS**



6420-01.eps - 6420-02.eps

# TEA6420

Figure 2. BLOCK DIAGRAM



6420-03.eps

**ABSOLUTE MAXIMUM RATINGS**

Symbol	Parameter	Value	Unit
$V_{CC}$	Supply Voltage (Pin 9)	12	V
$T_{OPER}$	Operating Ambient Temperature Range	0 to +70	°C
$T_{stg}$	Storage Temperature Range	-20 to +150	°C

**THERMAL DATA**

Symbol	Parameter+	Value	Unit
$R_{th(j-a)}$	Junction-Ambient Thermal Resistance	SDIP24	75
		SO28	75

**ELECTRICAL CHARACTERISTICS**

$T_A = 25^{\circ}\text{C}$ ,  $V_S = 10\text{V}$ ,  $R_L = 10\text{k}\Omega$ ,  $R_G = 600\Omega$ ,  $f = 1\text{kHz}$  (unless otherwise specified)

Symbol	Parameter	Test Conditions	Min.	Typ.	Max.	Unit
<b>SUPPLY</b>						
$V_S$	Supply Voltage		8	9	10.2	V
$I_S$	Supply Current			5	8	mA
SVR	Ripple Rejection	$V_{IN} = 500\text{mV}_{RMS}$ , BW = 20 - 20kHz	70	80		dB
<b>MATRIX</b>						
$V_{IN}$	Input DC Level		4.5	5	5.5	V
$R_I$	Input Resistance		30	50	100	k $\Omega$
$C_S$	Channel Separation	$V_{IN} = 2V_{RMS}$ Gain = 0dB $f = 1\text{kHz}$ Gain = 6dB	80	90		dB
			70	82		dB
<b>OUTPUT BUFFER</b>						
$V_{OUT}$	Output DC Level		4.5	5	5.5	V
$R_{OUT}$	Output Resistance			70	200	W
$e_{NI}$	Input Noise	BW = 20 - 20kHz, flat		3		$\mu\text{V}$
S/N	Signal to Noise Ratio	$V_{IN} = V_{OUT} = 1V_{RMS}$		110		dB
$G_{min}$	Min. Gain		-1	0	+1	dB
$G_{max}$	Max. Gain		5	6	7	dB
d	Distortion	$V_{IN} = V_{OUT} = 1V_{RMS}$		0.01	0.05	%
$V_{CL}$	Clipping Level	$d = 0.3\%$	2	2.5		$V_{RMS}$
$R_L$	Output Load Resistance		2			k $\Omega$
<b>BUS INPUT</b>						
$V_{IL}$	Input Low Voltage				1.5	V
$V_{IH}$	Input High Voltage		3			V
$I_I$	Input Current		-10		10	$\mu\text{A}$
$V_O$	Output Voltage	$I_O = 3\text{mA}$ ; SDA Acknowledge pin			0.4	V
$R_{pu}$	ADDR Pullup Resistor	Note	40	50		k $\Omega$

# TEA6420

## SOFTWARE SPECIFICATION

### 1. Chip address

Address	HEX	ADDR
1001 1000	98	0
1001 1010	9A	1

### 2. Data bytes

Output select								
X	0 0 1 1	0 1 0 1	G <sub>1</sub>	G <sub>0</sub>	I <sub>2</sub>	I <sub>1</sub>	I <sub>0</sub>	Output 1 Output 2 Output 3 Output 4
Input select								
X	Q <sub>1</sub>	Q <sub>0</sub>	G <sub>1</sub>	G <sub>0</sub>	0 0 0 1 1	0 0 1 1 0	0 1 0 1 0 1	Input 1 Input 2 Input 3 Input 4 Input 5 Mute
Gain select								
X	Q <sub>1</sub>	Q <sub>0</sub>	0 0 1 1	0 1 0 1	I <sub>2</sub>	I <sub>1</sub>	I <sub>0</sub>	Gain = 6 dB Gain = 4 dB Gain = 2 dB Gain = 0 dB

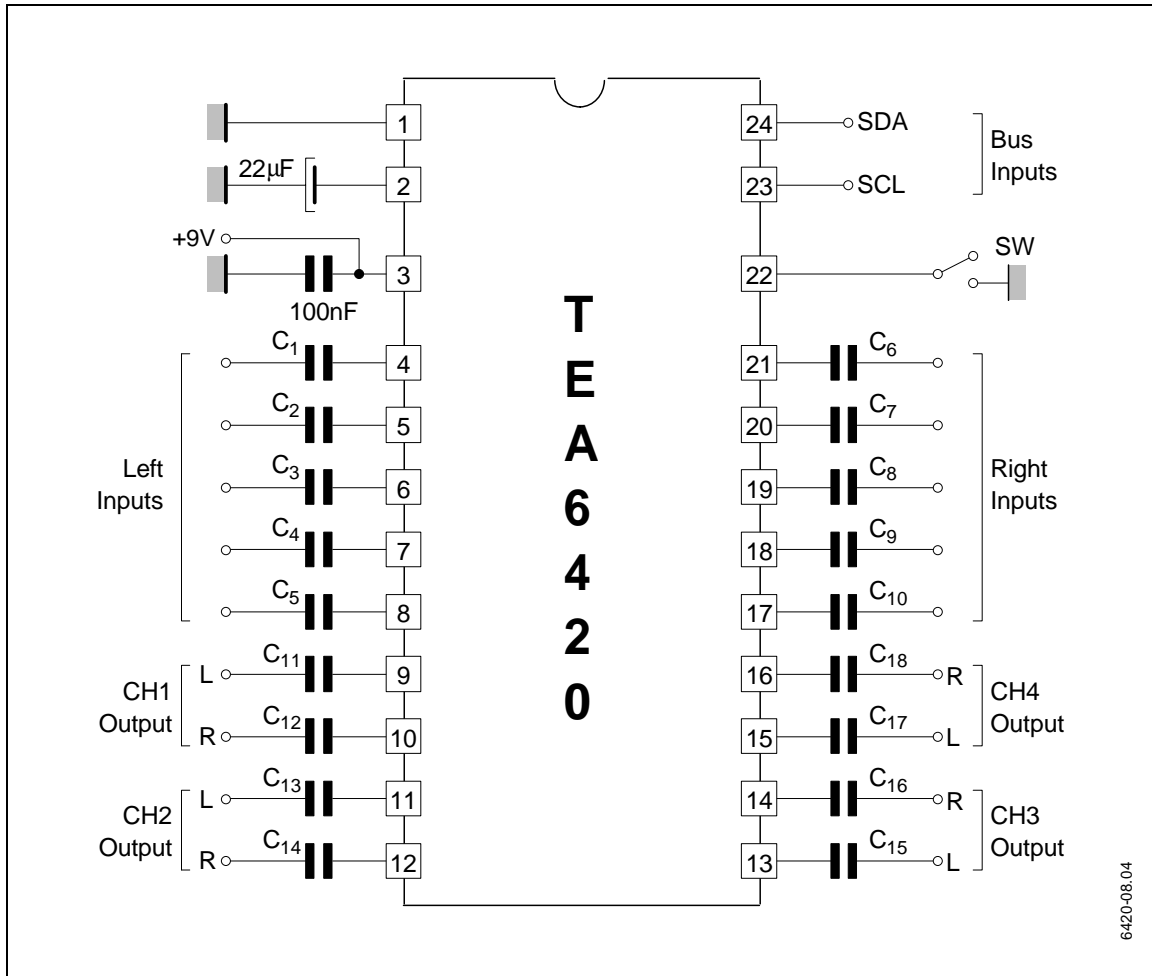
X = don't care - MSB is transmitted first

**Example :** X1001100 connects output 3 with input 5 at a gain of 4dB

The following are selected after power-on reset : input 5 selected for all outputs ; gain = 0dB.

## TYPICAL APPLICATION

Figure 3.

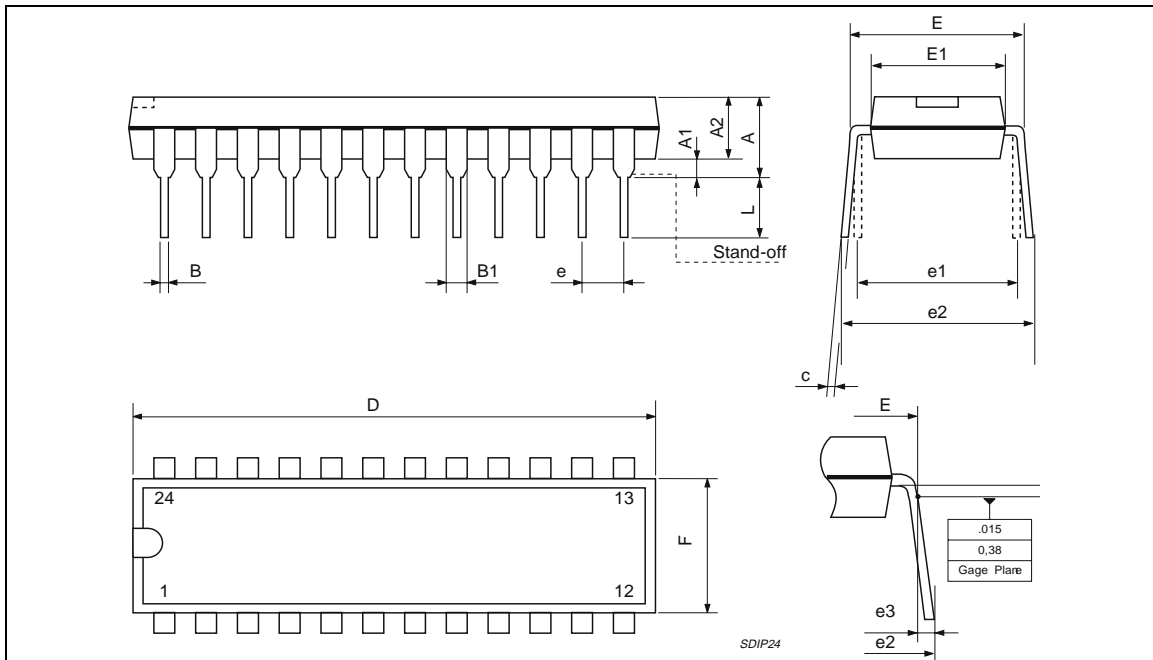


# TEA6420

## PACKAGE MECHANICAL DATA

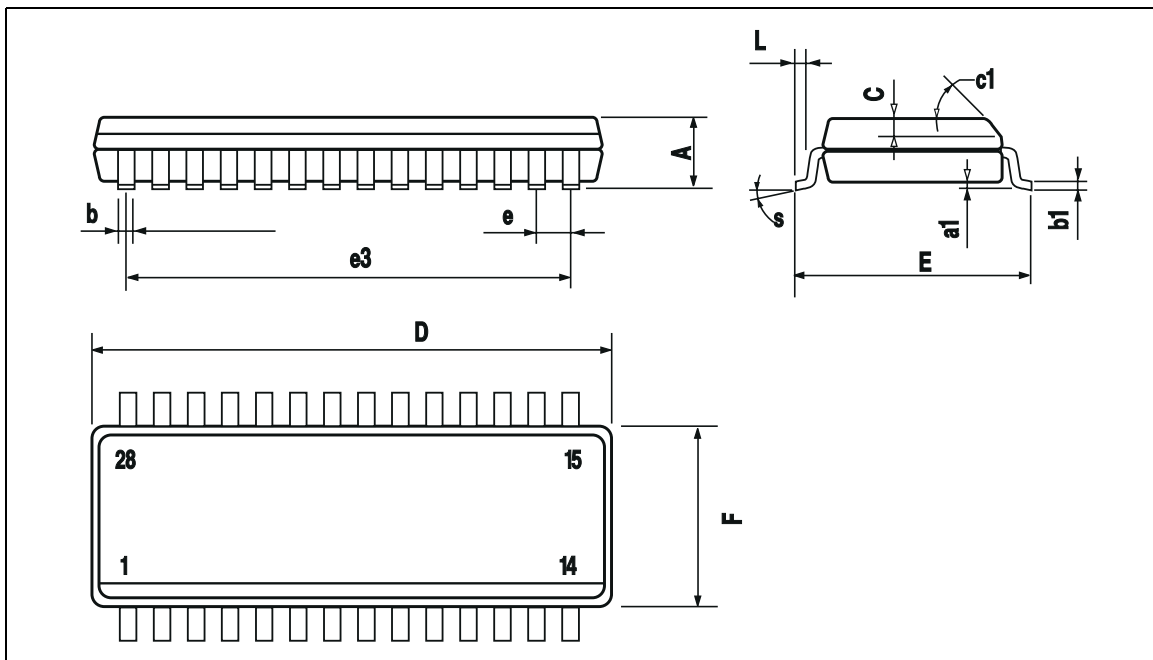
24 PINS - PLASTIC DIP

Figure 4. 24-Pin Package



28 PINS - PLASTIC SO

Figure 5. 28-Pin Package



Information furnished is believed to be accurate and reliable. However, STMicroelectronics assumes no responsibility for the consequences of use of such information nor for any infringement of patents or other rights of third parties which may result from its use. No license is granted by implication or otherwise under any patent or patent rights of STMicroelectronics. Specifications mentioned in this publication are subject to change without notice. This publication supersedes and replaces all information previously supplied. STMicroelectronics products are not authorized for use as critical components in life support devices or systems without the express written approval of STMicroelectronics.

The ST logo is a registered trademark of STMicroelectronics

©2006 STMicroelectronics - All Rights Reserved.

Purchase of I<sup>2</sup>C Components by STMicroelectronics conveys a license under the Philips I<sup>2</sup>C Patent. Rights to use these components in an I<sup>2</sup>C system is granted provided that the system conforms to the I<sup>2</sup>C Standard Specification as defined by Philips.

STMicroelectronics Group of Companies

Australia - Belgium - Brazil - Canada - China - Czech Republic - Finland - France - Germany - Hong Kong - India - Israel - Italy - Japan - Malaysia - Malta - Morocco - Singapore - Spain - Sweden - Switzerland - United Kingdom - United States of America.

<http://www.st.com>