

CLASS CC/CD FUSEBLOCK



Description

Space-saving 600 V, 30 A and 60 A molded case fuseblocks with side barriers for isolation. Flexible terminal arrangements — Class CC are available with type C box lug, type SQ screw, or type PQ pressure plate terminals

Features/Benefits

- DIN Rail (snap-to-release) mountable optional
- Universal mounting holes for easy replacement
- Rejection feature that prevents the insertion of fuses with lower interrupting rating or voltage ratings
- Clip design reduces resistance and heat
- Non DIN Rail fuseblocks have interlocking feature allowing ganging to produce a fuseblock with any number of poles

Ordering Information

Class CC 30 A Fuseblocks

AMP RATING	POLES	ORDERING NUMBER		CONNECTOR TYPE	TORQUE	WIRE RANGE	WIRE TYPE	BASE TEMP
		NON-DIN*	DINR					
30	1	L60030C1C	L60030C1CDINR	Box Lug	5.6 N-m (50 in-lbs)	2-4 AWG	CU-AL Solid / Stranded	125°C
	2	L60030C2C	L60030C2CDINR		2.8 N-m (25 in-lbs)	6-14 AWG		
	3	L60030C3C	L60030C3CDINR					
30	1	L60030C1PQ	L60030C1PQDINR	Pressure Plate w/Q.C. Terminal	5.6 N-m (50 in-lbs)	2-4 AWG	CU-AL Solid / Stranded	125°C
	2	L60030C2PQ	L60030C2PQDINR		2.8 N-m (25 in-lbs)	6-14 AWG		
	3	L60030C3PQ	L60030C3PQDINR					
30	1	L60030C1SQ	L60030C1SQDINR	Screw w/Q.C. Terminal	5.6 N-m (50 in-lbs)	2-4 AWG	CU-AL Solid / Stranded	125°C
	2	L60030C2SQ	L60030C2SQDINR		2.8 N-m (25 in-lbs)	6-14 AWG		
	3	L60030C3SQ	L60030C3SQDINR					

* Gangable

Note: Quick Connect Terminals are rated at 20 A

Class CD 60 A Fuseblocks

AMP RATING	POLES	ORDERING NUMBER	CONNECTOR TYPE	TORQUE	WIRE RANGE	WIRE TYPE	BASE TEMP RATING	SNAP TO RELEASE	INDICATION
60	1	LFC600601CID	Box Lug	5.6 N-m (50 in-lbs)	2-4 AWG	CU-AL Solid / Stranded	125°C	•	•
	2	LFC600602CID		2.8 N-m (25 in-lbs)	6-14 AWG				
	3	LFC600603CID							

Specifications

Voltage Rating:	600 VAC/600 VDC
Ampere Ratings:	Class CC: 30 A Class CD: 60 A
Dielectric strength:	1200 V minimum
Clip/terminals:	Tin-plated copper alloy
Box lug:	Copper
Screw and captive pressure plate:	Zinc-plated steel
Base:	Thermoplastic UL94 V-0 flammability rating
Approvals:	Class CC/CD: UL Listed (File No. E14721) Class CD: CSA Certified (File No. LR73091) Class CC: CSA Certified (File No. LR7316)
Environmental:	RoHS Compliant Lead (Pb) Free

Recommended Fuses

Class CC Blocks:

CCMR
KLDL
KLKR

Class CD Blocks:

CCMR

Web Resources

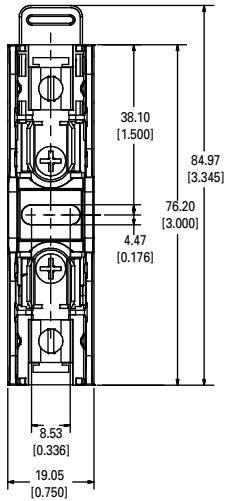
Sample requests, downloadable CAD drawings and other technical information:

<http://www.littelfuse.com/fuseblocks>

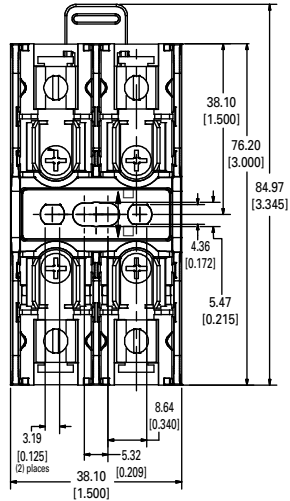
CLASS CC/CD FUSEBLOCKS

Class CC Dimensions in mm (inches) DIN Rail Mountable

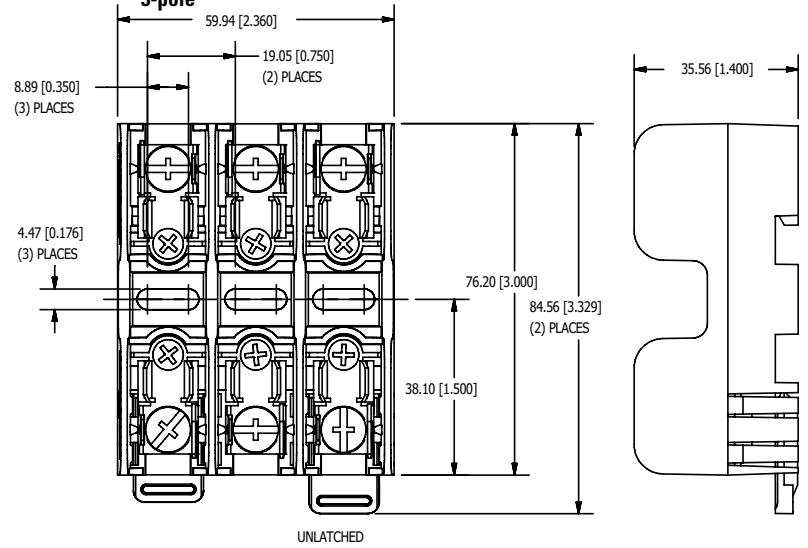
30 A
1-pole



30 A
2-pole

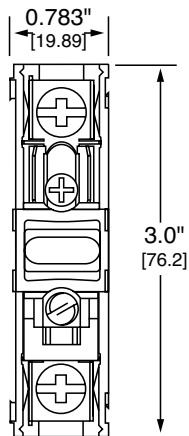


30 A
3-pole

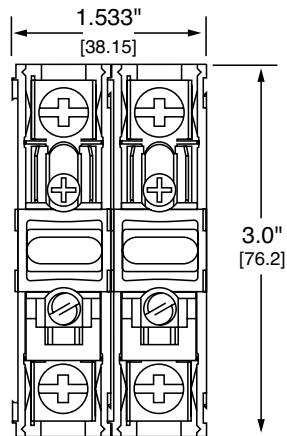


Class CC Dimensions in inches (mm) Non-DIN Rail Mountable

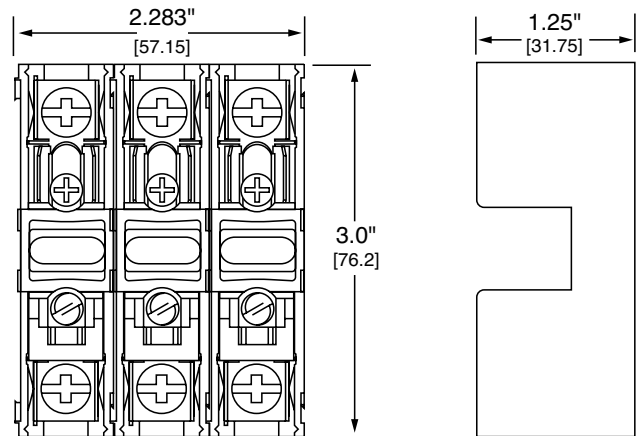
30 A
1-pole



30 A
2-pole



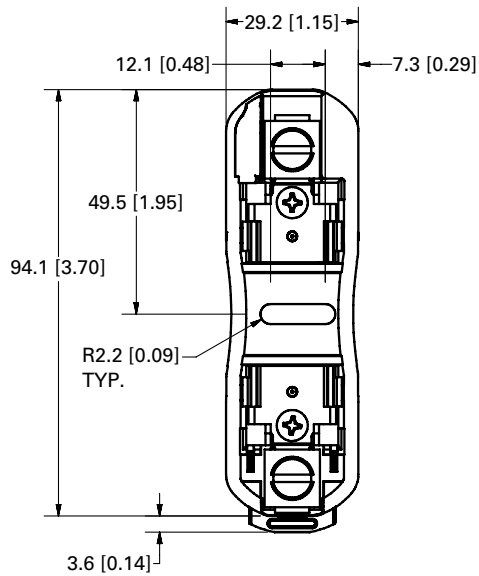
30 A
3-pole



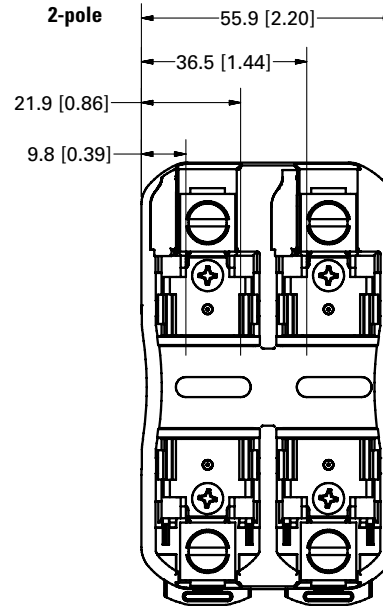
CLASS CC/CD FUSEBLOCKS

Class CD Dimensions in mm (inches) DIN Rail Mountable

60 A
1-pole



60 A
2-pole



60 A
3-pole

