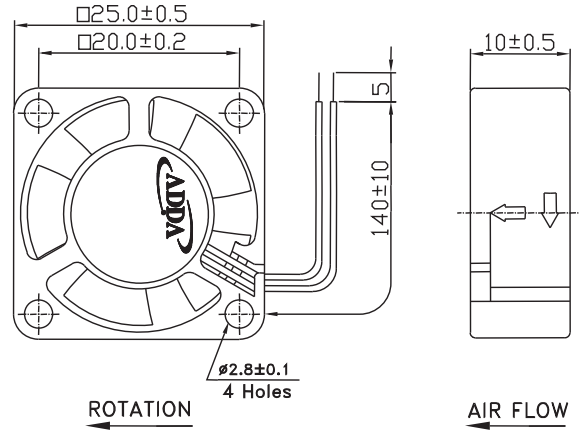


AD2510 SERIES



External Dimensions



Frame:Plastic(UL:94V-0)
 Impeller:Plastic(UL:94V-0)
 Lead wire:UL1571AWG28

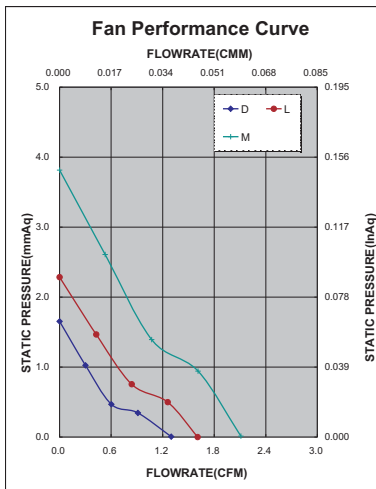
Specifications(Nominal)

*Noise is measured at the distance of one (1) meter from the axis of intake.

Bearing type: ◎=Ball ○=1B1S ●=Hypro bearing

Frame size (mm)	Model No.	Bearing System Type	Rated Voltage (VDC)	Current (A)	Power (W)	Rated Speed (rpm)	Maximum AirFlow (CMM)	Maximum AirFlow (CFM)	Maximum Pressure (InAq)	Maximum Pressure (mmAq)	*Noise Level (dB/A)	Weight (g)
25x25x10	AD0205LB-G50GL	◎ ○ ●	5	0.080	0.40	8000	0.045	1.600	0.090	2.286	18.3	8.0
	AD0205MB-G50GL	◎ ○ ●	5	0.079	0.50	10000	0.059	2.100	0.150	3.810	23.0	
	AD0212DB-G50GL	◎ ○ ●	12	0.040	0.48	6000	0.037	1.307	0.065	1.651	12.5	
	AD0212LB-G50GL	◎ ○ ●	12	0.045	0.84	8000	0.045	1.600	0.090	2.286	18.3	
	AD0212MB-G50GL	◎ ○ ●	12	0.058	0.72	10000	0.059	2.100	0.150	3.810	23.0	

Specifications subject to change without notice.



*Motor protective circuit and third lead wire functions

0	1	2	3	4	6	7	8	9	A	B
✓	✓		✓		✓					

*Safety approvals

✓	✓		✓	✓