

# Customer Information Sheet

DRAWING No.: M40-320XX45R SHEET 3 OF 4 IF IN DOUBT - ASK © NOT TO SCALE THIRD ANGLE PROJECTION ALL DIMENSIONS IN mm

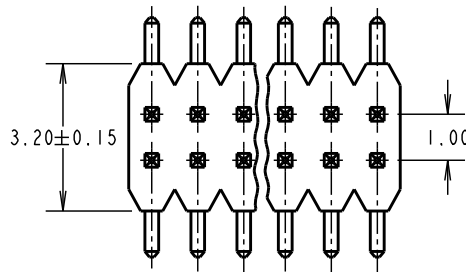
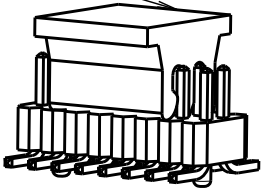
**SPECIFICATIONS:**  
**MATERIAL:**  
 MOULDING = GLASS FILLED NYLON 6T  
 UL94V-0, BLACK  
 CONTACTS = BRASS  
**FINISH:**  
 45 = GOLD FLASH OVER NICKEL  
**ELECTRICAL:**  
 CURRENT RATING = 0.75A  
 CONTACT RESISTANCE = 30 mΩ MAX  
 INSULATION RESISTANCE = 1000 MΩ MIN  
**MECHANICAL:**  
 DURABILITY = 300 OPERATIONS  
 DIELECTRIC STRENGTH = 500V AC/DC  
**ENVIRONMENTAL:**  
 TEMPERATURE RANGE = -40°C TO +105°C  
 FOR COMPLETE SPECIFICATION, SEE  
 COMPONENT SPECIFICATION C026XX (LATEST ISSUE)

**ORDER CODE:**  
**M40-320XX45R**

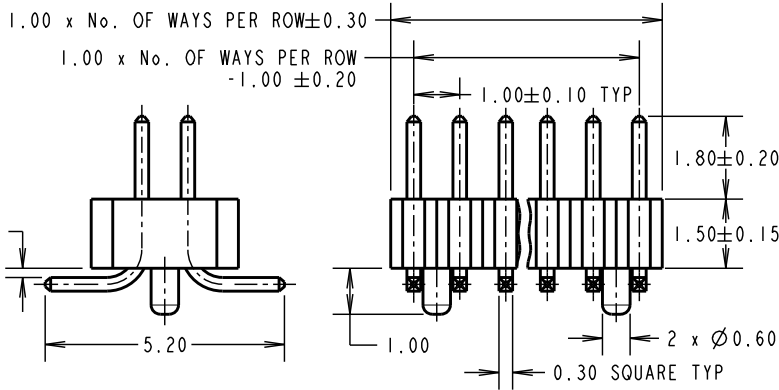
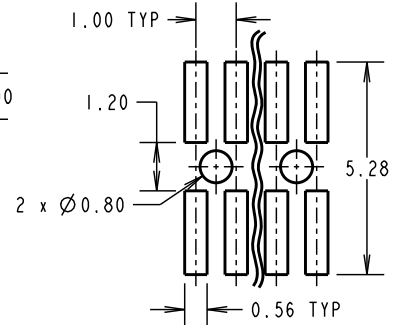
No. OF WAYS PER ROW  
 03, 04, 05, 06, 08, 10, 20  
 25

FINISH  
 45 - GOLD

CAP PLACED CENTRALLY  
 SEE NOTE 3



RECOMMENDED PCB LAYOUT



- NOTES:**
1. ALL TOLERANCES ARE  $\pm 0.25$  UNLESS OTHERWISE STATED.
  2. CO-PLANARITY: FLATNESS OF SMT TAILS MUST NOT EXCEED VALUES GIVEN IN TABLE.
  3. CAP REMOVED FROM MAIN VIEWS FOR CLARITY, PART COMES FITTED WITH CAP. SEE SHEET 4 FOR CAP DETAILS.

RA	I	19.01.11	-----
NAME	ISS.	DATE	C/NOTE
APPROVED:		R. ADDE	
CHECKED:		M.G. PLESTED	
DRAWN:		R. ADDE	
CUSTOMER REF.:			
ASSEMBLY DRG:			

**HARWIN**

HARWIN USA  
 TEL: 603 893 5376  
 FAX: 603 893 5396  
 mis@harwin.com

HARWIN Europe (UK)  
 TEL: 023 9231 4545  
 FAX: 023 9231 4590  
 mis@harwin.co.uk

HARWIN Asia  
 TEL: +65 6 779 4909  
 FAX: +65 6 779 3868  
 mis@harwin.com.sg

THIS DRAWING AND ANY INFORMATION OR DESCRIPTIVE MATTER SET OUT HEREON ARE CONFIDENTIAL AND COPYRIGHT PROPERTY OF THE HARWIN GROUP AND MUST NOT BE DISCLOSED, LOANED, COPIED OR USED FOR MANUFACTURING, TENDERING OR FOR ANY OTHER PURPOSE WITHOUT THEIR WRITTEN PERMISSION.

**TOLERANCES**

~~X =  $\pm 1.00$ mm~~  
~~X.X =  $\pm 0.25$ mm~~  
~~X.XX =  $\pm 0.10$ mm~~  
~~X.XXX =  $\pm 0.01$ mm~~

ANGLES =  $\pm 5^\circ$   
 UNLESS STATED

**MATERIAL:**  
 SEE ABOVE

**FINISH:**  
 SEE ABOVE

**S/AREA:**  
 mm<sup>2</sup>

**TITLE:** 1.00mm PITCH DIL  
 SMT PIN HEADER ASSEMBLY  
 (TAPE & REEL)

**DRAWING NUMBER:**  
**M40-320XX45R**

SHT  
 3  
 OF  
 4

# Customer Information Sheet

DRAWING No.: M40-320XX45R

SHEET 4 OF 4

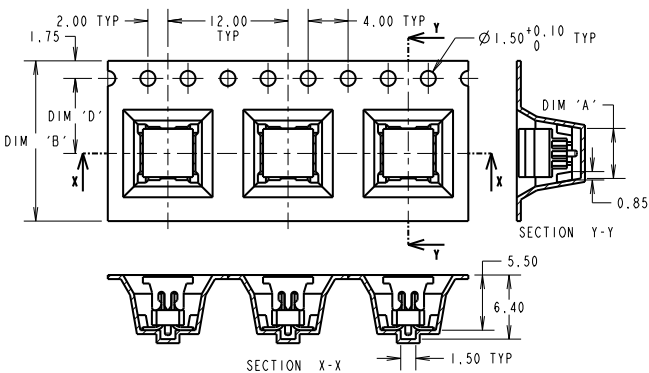
IF IN DOUBT - ASK (C)

NOT TO SCALE

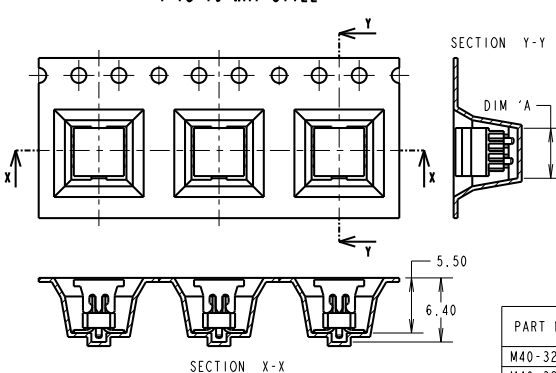
THIRD ANGLE PROJECTION

ALL DIMENSIONS IN mm

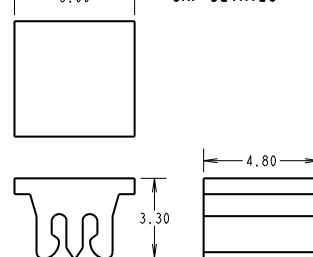
## 3 WAY STYLE



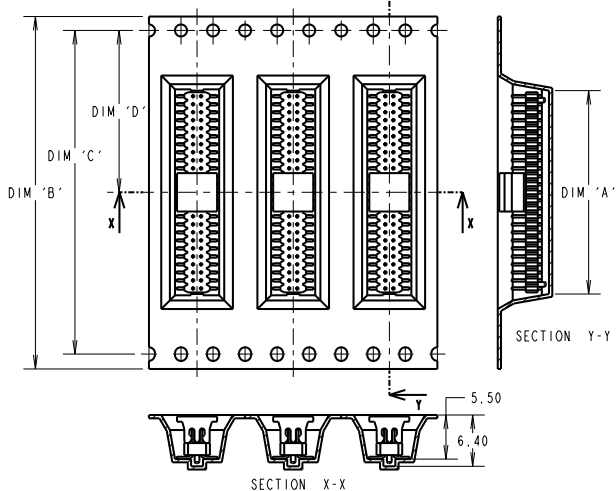
## 4 TO 10 WAY STYLE



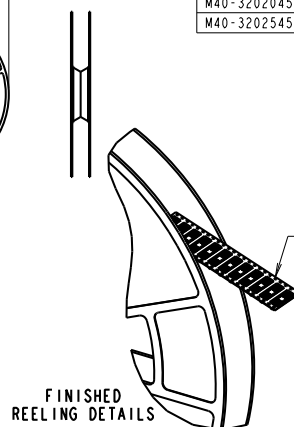
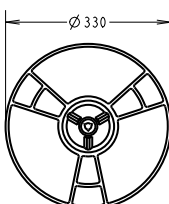
## CAP DETAILS



## 20 & 25 WAY STYLE



## REEL DETAILS



PART NUMBER	DIM 'A'	DIM 'B'	DIM 'C'	DIM 'D'
M40-3200345R	5.00	16.00±0.30	X	7.50±0.10
M40-3200445R	5.00			7.50±0.10
M40-3200545R	5.40			11.50±0.10
M40-3200645R	6.40	24.00±0.30	X	11.50±0.10
M40-3200845R	8.40			
M40-3201045R	10.40	44.00±0.30	40.40	20.20±0.15
M40-3202045R	20.40			
M40-3202545R	25.40			

ORDER CODE:  
**M40-320XX45R**  
 No. OF WAYS PER ROW  
 03, 04, 05, 06, 08, 10, 20, 25  
 FINISH:  
 45 = GOLD FLASH OVER NICKEL

RA	I	19.01.11	-----
NAME	ISS.	DATE	C/NOTE
APPROVED:		R. ADDE	
CHECKED:		M. G. PLESTED	
DRAWN:		R. ADDE	
CUSTOMER REF.:			
ASSEMBLY DRG:			

- NOTES:  
 1. FOR CONNECTOR DIMENSIONS, SEE SHEET 3  
 2. TAPE & REEL TO BE IN ACCORDANCE WITH EIA-481 (ELECTRONIC INDUSTRIES ASSOCIATION)  
 3. PICK & PLACE CAP IS THE SAME FOR ALL SIZES.  
 4. QUANTITY PER REEL FOR ALL SIZES = 800.  
 5. TAPE THICKNESS FOR ALL WAYS IS 0.40±0.10

**HARWIN**

HARWIN USA  
 TEL: 603 893 5376  
 FAX: 603 893 5396  
 mis@harwin.com

HARWIN Europe (UK)  
 TEL: 023 9231 4545  
 FAX: 023 9231 4590  
 mis@harwin.co.uk

HARWIN Asia  
 TEL: +65 6 779 4909  
 FAX: +65 6 779 3868  
 mis@harwin.com.sg

THIS DRAWING AND ANY INFORMATION OR DESCRIPTIVE MATTER SET OUT HEREON ARE CONFIDENTIAL AND COPYRIGHT PROPERTY OF THE HARWIN GROUP AND MUST NOT BE DISCLOSED, LOANED, COPIED OR USED FOR MANUFACTURING, TENDERING OR FOR ANY OTHER PURPOSE WITHOUT THE WRITTEN PERMISSION.

TOLERANCES  
 X. = ±1mm  
 X.X = ±0.25mm  
 X.XX = ±0.10mm  
 X.XXX = ±0.01mm  
 ANGLES : ±5°  
 UNLESS STATED

MATERIAL: SEE ABOVE  
 FINISH: SEE ABOVE  
 S/AREA: mm<sup>2</sup>

TITLE: 1.00mm PITCH DIL SMT PIN HEADER ASSEMBLY (TAPE & REEL)

DRAWING NUMBER: **M40-320XX45R**

SHT 4 OF 4