



MAX1894/MAX1924 Evaluation Kit

General Description

The MAX1894 evaluation kit (EV kit) is a fully assembled and tested circuit board. It uses the MAX1894 lithium-ion (Li+) battery-pack protector to protect four series Li+ cell battery packs against overvoltage, undervoltage, excessive charge/discharge currents, and battery pack-short conditions. Three external P-channel MOSFETs control the charge and discharge paths of the battery pack. The MAX1894 EV kit provides two inputs, which can be used by a microcontroller (μC) to control the protection MOSFETs or put the MAX1894 in shutdown mode. The EV kit also evaluates the MAX1924.

Features

- ◆ Protects Against Cell Overvoltage
- ◆ Protects Against Cell Undervoltage
- ◆ Protects Against Excessive Charge/Discharge Currents and Pack-Short Conditions
- ◆ 0.8 μA (typ) Shutdown Supply Current Prevents Deep Discharge of Cells
- ◆ Low Operating Supply Current, 30 μA (typ)
- ◆ Small 16-Pin QSOP Package
- ◆ Fully Assembled and Tested

Ordering Information

PART	TEMP RANGE	IC PACKAGE
MAX1894EVKIT	0°C to +70°C	16 QSOP

Component List

DESIGNATION	QTY	DESCRIPTION
C1	1	4.7 μF \pm 20%, 6.3V X7R ceramic capacitor (0805) Taiyo Yuden JMK212BJ475MG
C2, C12	2	0.1 μF \pm 10%, 50V X7R ceramic capacitors (0805) Taiyo Yuden UMK212BJ104KG
C3, C4	0	0.1 μF to 1 μF \pm 20%, 50V X7R ceramic capacitors (0805), not installed
C5	1	1 μF \pm 10%, 6.3V X5R ceramic capacitor (0603) TDK C1608X5R0J105K
C6, C7, C8	3	0.1 μF \pm 10%, 16V X7R ceramic capacitors (0603) Taiyo Yuden EMK107BJ104KA
C9	1	2.2 μF \pm 10%, 25V X7R ceramic capacitor (1206) TDK C3216X7R1E225K
C10, C11, C13, C14	0	0.1 μF \pm 10%, 50V X7R ceramic capacitors (0805) Taiyo Yuden UMK212BJ104KG, not installed
D1	1	100mA, 30V, Schottky diode, SOT23 Central Semiconductor CMPSH-3

DESIGNATION	QTY	DESCRIPTION
J1, J2	2	Nonisolated banana jacks
JU1, JU2, JU3	3	3-pin headers
JU4, JU5	2	2-pin headers
P1	1	-0.13A, -50V, P-channel MOSFET, SOT23 Fairchild Semiconductor BSS84
P2, P3	2	8A, -30V, P-channel MOSFETs, 8-pin SO Vishay Siliconix Si4435DY or International Rectifier Si4435DY
R1	1	510 Ω \pm 5% resistor (2512)
R2	1	0.02 Ω \pm 1%, 2W resistor (2512) IRC LRC-LRF 2512-01-R020-F
R3	1	51 Ω \pm 5% resistor (0805)
R4, R5, R6	3	1k Ω \pm 5% resistors (0805)
R7	1	10 Ω \pm 5% resistor (0805)
TB1	1	5-pin terminal block
U1	1	MAX1894XEEE, 16-pin QSOP
U2	1	MAX1615EUK-T, 5-pin SOT23
None	5	Shunts (JU1–JU5)
None	1	MAX1894 PC board
None	1	MAX1894 data sheet
None	1	MAX1894 EV kit data sheet

Evaluates: MAX1894/MAX1924



For pricing, delivery, and ordering information, please contact Maxim/Dallas Direct! at 1-888-629-4642, or visit Maxim's website at www.maxim-ic.com.

MAX1894/MAX1924 Evaluation Kit

Component Suppliers

SUPPLIERS	PHONE	FAX	WEBSITE
Fairchild Semiconductor	888-522-5372	972-910-8023	www.fairchildsemi.com
International Rectifier	310-322-3331	310-726-8721	www.irf.com
IRC	361-992-7900	361-992-3377	www.irctt.com
Taiyo Yuden	800-348-2496	847-925-0899	www.t-yuden.com
TDK	847-803-6100	847-390-4405	www.component.tdk.com
Vishay Siliconix	408-988-8000	408-567-8979	www.vishay.com

Note: Please indicate that you are using the MAX1894 or MAX1924 when contacting these component suppliers.

Quick Start

The MAX1894 EV kit is fully assembled and tested. Follow these steps to verify board operation. Do not turn on the power supply until all connections are completed.

Recommended Equipment

- Current-limited 25V power supply (or Li+ charger)
- One voltmeter
- Four Li+ cells (2.3V to 4.35V)

Warning: Exercise caution when handling loose Li+ cells. Obey all manufacturer guidelines for handling Li+ cells. For test purposes, floating power supplies can be substituted for the Li+ cells.

Jumper Setting and Connecting the Li+ Cells

- 1) Install a shunt across pins 1 and 2 of jumpers JU1 and JU2
- 2) Install a shunt across pins 2 and 3 of jumper JU3.
- 3) Install a shunt across jumper JU4, and remove the shunt from jumper JU5.
- 4) See Figure 1 for connecting the Li+ cells (steps 5 to 12).
- 5) Connect the negative terminal of Li+ cell 1 to BN of terminal block TB1.
- 6) Connect the positive terminal of Li+ cell 1 to B1P of terminal block TB1.
- 7) Connect the negative terminal of Li+ cell 2 to B1P of terminal block TB1.
- 8) Connect the positive terminal of Li+ cell 2 to B2P of terminal block TB1.
- 9) Connect the negative terminal of Li+ cell 3 to B2P of terminal block TB1.
- 10) Connect the positive terminal of Li+ cell 3 to B3P of terminal block TB1.
- 11) Connect the negative terminal of Li+ cell 4 to B3P of terminal block TB1.
- 12) Connect the positive terminal of Li+ cell 4 to B4P of terminal block TB1.

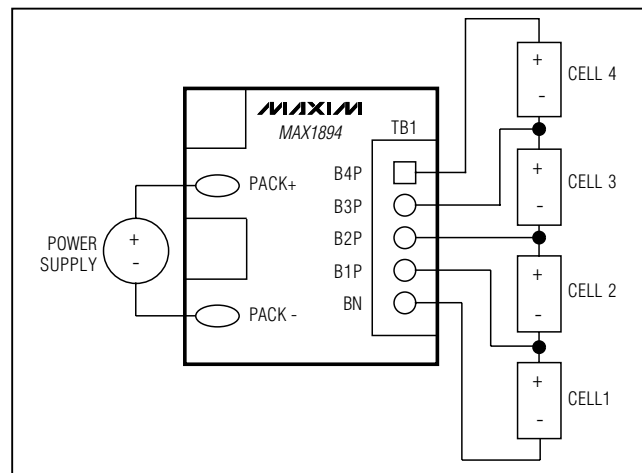


Figure 1. Connecting the Li+ Cell, Power Supply, and Voltmeter

- 13) Remove the shunt from pins 1 and 2 of jumper JU2 and install it across pins 2 and 3 of jumper JU2 (EV Kit ON).

Connecting the Power Supply

- 1) See Figure 1 for connecting the power supply (steps 2 and 4 below). The power supply should be current limited to no more than the C rate of the battery pack.
- 2) Using short banana leads, connect the negative terminal of the power supply to J2 (PACK-).
- 3) Turn on the power supply and set the power-supply voltage to $4.2V \times$ the number of cells in series. Momentarily connect the positive terminal of the power supply to J1 (JACK+).
- 4) Remove the positive terminal of the power supply from PACK+, and verify that the DSO, CGO, and TKO pads are pulled low.
- 5) Momentarily short the PACK+ and PACK- pads with a short banana lead. Verify that the DSO, CGO, and TKO pads are pulled high.
- 6) Reconnect the positive terminal of the power supply to J1 (PACK+).

MAX1894/MAX1924 Evaluation Kit

- 7) Verify that the \overline{DSO} , \overline{CGO} , and \overline{TKO} pads are pulled low.

Note: Short leads are less than 6in long.

Detailed Description

The MAX1894 EV kit protects Li+ battery cells against charge/discharge faults. The EV kit is designed for both 3- and 4-cell applications. It is configured from the factory for a 4-cell application with the MAX1894X installed. For a 3-cell application, replace the MAX1894X with the MAX1924V and reconfigure jumper JU5 (see Table 5). The EV kit monitors the voltage across each cell to provide protection against undervoltage and overvoltage conditions. The EV kit also monitors the voltage across the current-sense resistor (R2) to protect against excessive charge and discharge current, and pack short conditions.

The MAX1894 EV kit also features a MAX1615 low-power linear regulator, configurable for 3.3V or 5V to power a μC . The linear regulator can provide 30mA for VIN up to 28V. The charge and discharge paths of the battery pack are controlled by three P-channel MOSFETs: the trickle-charge MOSFET P1, the overdischarge MOSFET P2, and the overcharge MOSFET P3. In the event of a fault condition, some or all of these protection MOSFETs are turned off to disconnect the battery pack from the current path. The MAX1894 EV kit provides two logic-level inputs, which can be connected to general-purpose input/output (GPIO) lines from a μC . These inputs can be used to turn off all three protection MOSFETs, or put the MAX1894 in shutdown mode for minimizing the current consumption during pack storage.

Trickle-Charge Operation

When the MAX1894 is in an undervoltage or deep discharge state ($V_{CC} < 4.5\text{V}$ typ), the circuit operates in trickle-charge mode. During trickle-charge operation, MOSFETs P2 and P3 are turned off and MOSFET P1 is turned on to provide a lower current charge path for the battery pack. Refer to the *Fast and Trickle-Charge Paths* section in the MAX1894 data sheet.

Normal Operation

When all cell voltages are greater than 2.36V, the MAX1894 EV kit operates in normal mode and can readily charge and discharge. During normal operation, all three MOSFETs (P1, P2, and P3) are turned on to provide a current path for the battery pack. The voltage across the current-sense resistor (R2) monitors the charge and discharge current during normal operation.

Shutdown

The MAX1894 EV kit goes into shutdown mode when an undervoltage fault occurs or when a logic high is applied to the shutdown pad (SHDN). During shutdown mode, the quiescent current is 0.8 μA (typ).

Control

The control pad (CTL) on the MAX1894 EV kit can be connected to one of the GPIO lines of a μC to turn off all the protection MOSFETs simultaneously.

Discharge Current Protection

When the discharge current exceeds 7.25A ($I_{OD_TH} = V_{OD_TH}/R2$) for more than 3ms, all protection MOSFETs are turned off, disconnecting the battery pack from the current path.

Charge-Current Protection

When the charge current exceeds 5A ($I_{OC_TH} = V_{OC_TH}/R2$) for more than 3ms, the trickle-charge MOSFET P1 and the overcharge MOSFET P3 are turned off, disconnecting the battery pack from the current path.

Pack-Short Current Protection

When the discharge current exceeds a second higher current limit, 20A ($I_{PS_TH} = V_{PS_TH}/R2$) for more than 450 μs , all protection MOSFETs are turned off, disconnecting the battery pack from the current path.

Jumper Selection

VDD Enable

Jumper JU4 enables the VDD power supply by connecting the input of the MAX1615 to B4_P. Install a shunt on JU4 to enable VDD. Remove the shunt from JU4 to disable VDD. See Table 4 for shunt positions.

VDD Selection

Jumper JU1 selects the output voltage of VDD. To set VDD to +5V, install a shunt across pins 1 and 2 of JU1. To set VDD to +3.3V, install a shunt across pins 2 and 3 of JU1. See Table 1 for shunt positions.

MAX1894 EV Kit Shutdown

Jumper JU2 selects the shutdown mode. To shut down the part, install a shunt across pins 1 and 2 of JU2. To enable the part, install a shunt across pins 2 and 3 of JU2. The shutdown mode can also be driven by an external μC connected to the SHDN pad. To use an external μC for the shutdown mode, remove the shunt from JU2 and connect the output of the μC to the SHDN pad. See Table 2 for shunt positions.

MAX1894/MAX1924 Evaluation Kit

Table 1. JU1 Jumper Selection

JUMPER	SHUNT POSITION	VDD OUTPUT VOLTAGE (V)
JU1	1-2*	VDD = +5
	2-3*	VDD = +3.3

*A shunt must be installed on one of these selections.

Table 2. JU2 Jumper Selection

JUMPER	SHUNT POSITION	EV KIT FUNCTION
JU2	1-2	Shutdown mode enabled
	2-3	Shutdown mode disabled
	None	Shutdown mode controlled by an external controller

Table 3. JU3 Jumper Selection

JUMPER	SHUNT POSITION	EV KIT FUNCTION
JU3	1-2	Control mode enabled (FETs OFF)
	2-3	Control mode disabled
	None	Control mode controlled by an external controller

Control

Jumper JU3 selects the logic state of the control pin of the MAX1894. To force a logic high on the control pin, install a shunt across pins 1 and 2 of JU3. To force a logic low on the control pin, install a shunt across pins 2 and 3 of JU3. The control mode can also be driven by an external μ C. Remove the shunt from jumper JU3 and connect the output of the μ C to the CTL pad. See Table 3 for shunt positions.

3-Cell/4-Cell Selection

Jumper JU5 selects between the 3-cell and the 4-cell battery pack applications for the MAX1894 EV kit. The MAX1894 EV kit is set at the factory for 4-cell applications. For 3-cell battery pack applications, install a shunt across JU5, and replace U1 with the MAX1924V. See Table 5 for shunt positions.

Table 4. JU4 Jumper Selection

JUMPER	SHUNT POSITION	VDD FUNCTION
JU4	Installed	MAX1615 enabled
	None	MAX1615 disabled

Table 5. JU5 Jumper Selection

JUMPER	SHUNT POSITION	EV KIT FUNCTION
JU5	Installed	3 series cells
	None	4 series cells

MAX1894/MAX1924 Evaluation Kit

Evaluates: MAX1894/MAX1924

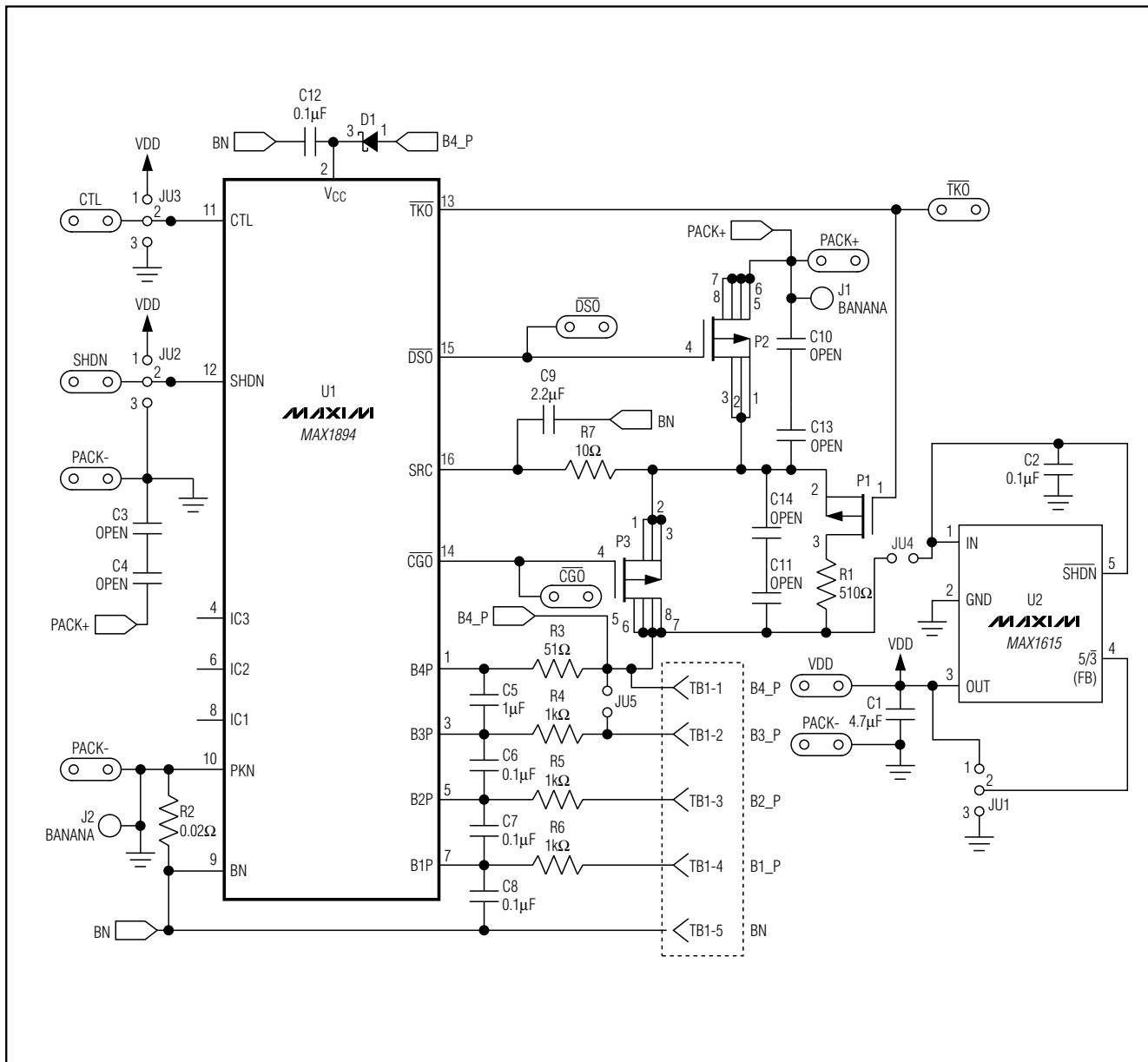


Figure 2. MAX1894 EV Kit Schematic

MAX1894/MAX1924 Evaluation Kit

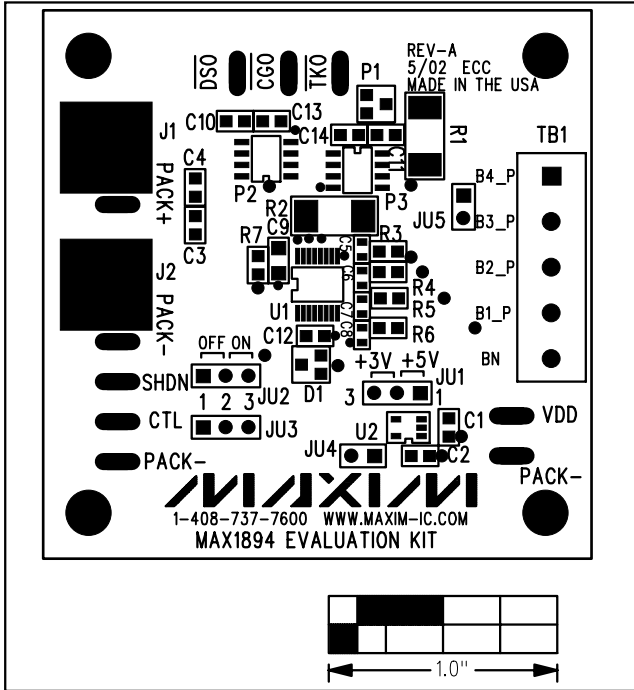


Figure 3. MAX1894 EV Kit Component Placement Guide—Component Side

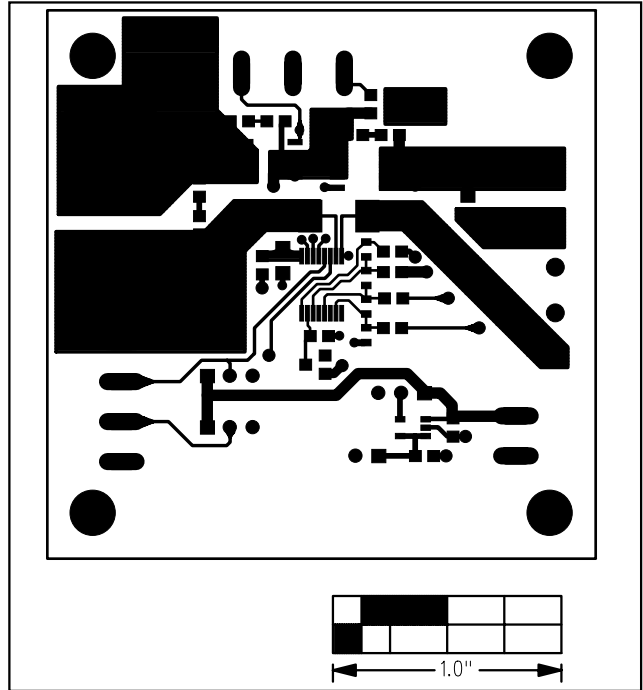


Figure 4. MAX1894 EV Kit PC Board Layout—Component Side

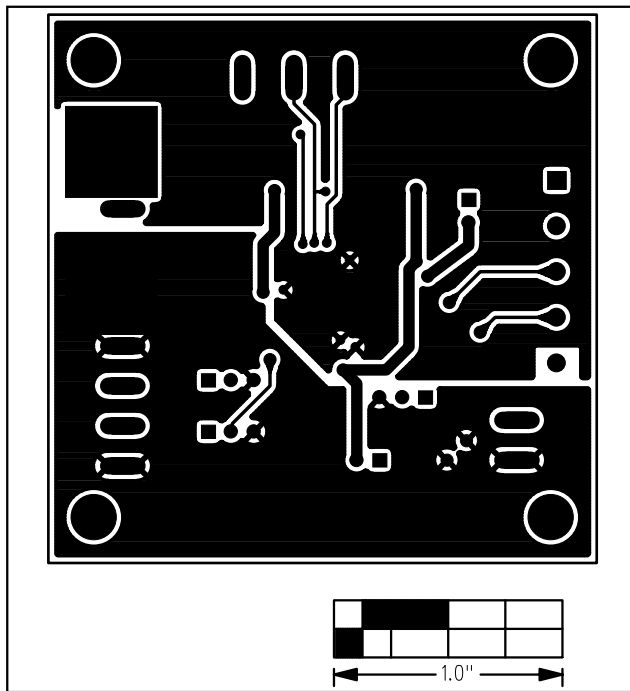


Figure 5. MAX1894 EV Kit PC Board Layout—Solder Side

Maxim cannot assume responsibility for use of any circuitry other than circuitry entirely embodied in a Maxim product. No circuit patent licenses are implied. Maxim reserves the right to change the circuitry and specifications without notice at any time.

6 Maxim Integrated Products, 120 San Gabriel Drive, Sunnyvale, CA 94086 408-737-7600