

EL Driver Demoboard

General Description

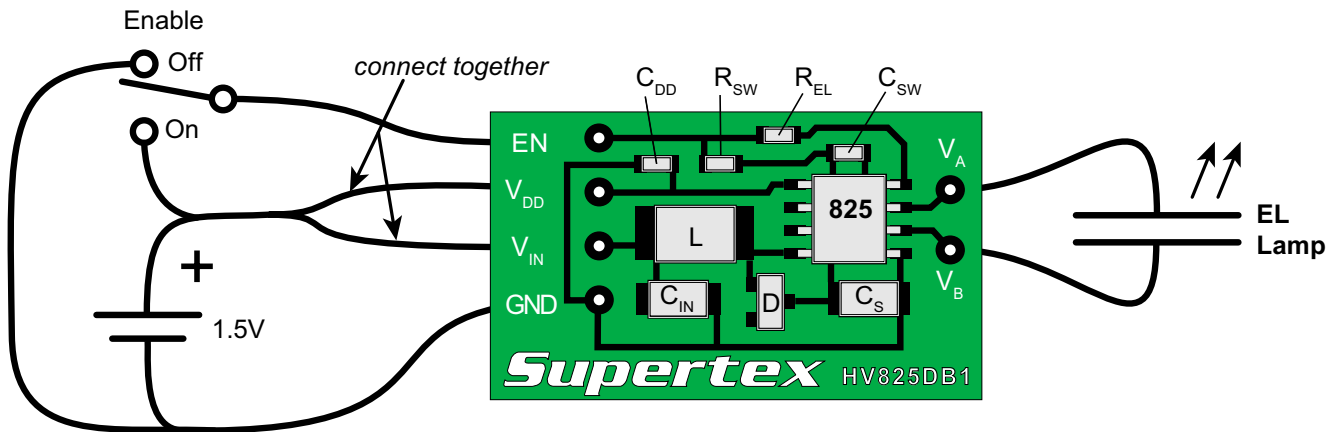
The HV825DB1 EL Driver demoboard contains all the circuitry necessary to drive an EL (Electroluminescent) lamp. Simply connect it to a power supply and a lamp as shown below.

The supplied circuit has been optimized to drive a 1.5in² lamp from a 1.5V supply. The circuit may be customized with different component values to suit a particular application. For additional assistance in designing EL driver circuits, please refer to **Application Notes AN-H33 (EL Lamp Driver Circuits)** and **AN-H34 (HV823 & HV825 EL Lamp Driver Circuits)**.

Specifications

Parameter	Value
Supply voltage	1.5V
Supply current	27mA (typical)
Lamp size range	1.5in ²
Lamp frequency	450Hz (typical)
Converter frequency	30KHz (typical)

Board Layout and Connection Diagram



Connections:

EN - Enable Input

Enables/disables the lamp driver. A logic high (V_{DD}) enables the driver and a logic low (GND) disables the driver. This input may be connected to a mechanical switch as shown, or to a logic circuit output that has a source impedance of less than 20k Ω .

V_{DD} - IC Supply

Supplies the HV825 EL driver IC. The supplied circuit is optimized for 1.5V operation. Current draw is less than 1.0 μ A when disabled.

V_{IN} - Inductor Supply

Supplies the high voltage power converter. Current draw is approximately 27mA.

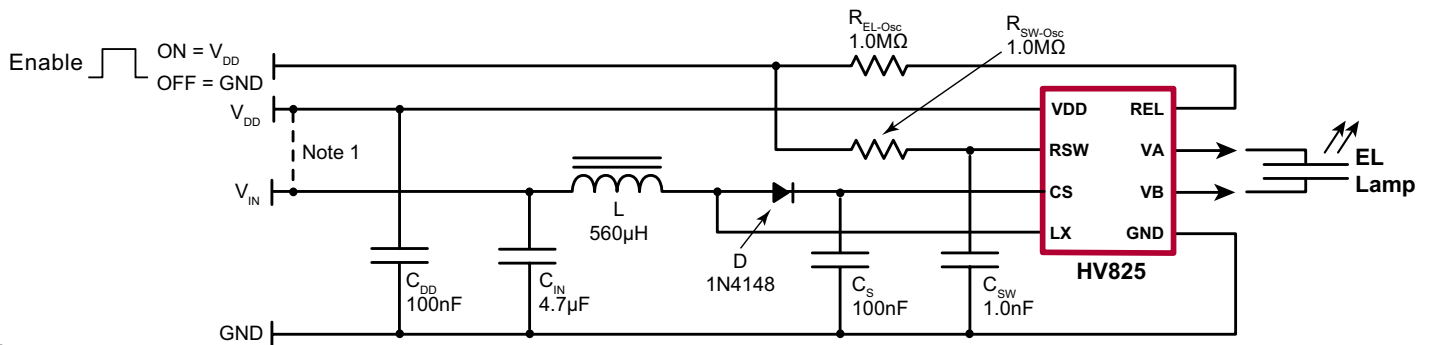
GND - Circuit Ground

Connect to V_{DD} and V_{IN} negative terminals. Supply bypass capacitors for both V_{DD} and V_{IN} are provided on the demo board. External supply bypass capacitors are not necessary.

V_A and V_B - Lamp Connections

Connect to EL lamp of 1.5in². Polarity is irrelevant.

HV825DB1 Circuit Schematic



Note:

1. Tie V_{DD} and V_{IN} together if split supplies are not used. C_{DD} is not needed when a single supply is used.

Modifying the Supplied Circuit

The supplied circuit is optimized to drive a 1.5in² green lamp. To better suit other applications, the circuit can be modified by changing one or more components. The following table lists the typical performance of the HV825 driving a 1.5in² and a 2.7in² lamp.

The demo board can be easily modified to drive 2.7in² by changing the inductor, C_S capacitor and the R_{EL} resistor. For component locations, refer to the board layout and connection diagram at the beginning of this note. The circuits are designed to operate from a single 1.5V supply connected to V_{DD} and V_{IN} .

Lamp Size (in ²)	Lamp ¹ Brightness (ft-lm)	Lamp Color	Lamp Freq (Hz)	V_{IN} Current (mA)	Component Values			
					L^2 (µH)	R_{EL} (MΩ)	R_{SW} (KΩ)	C_S (nF)
1.5	3.6	Green	450	27	560	1.0	1.0	100
2.7	3.3	Green	300	45	330	2.0	1.0	10

Notes:

1. Lamp brightness can vary by type and manufacturer.
2. The recommended inductor is a Murata LQH4N series. Other inductors may be used, however, different inductor characteristics (especially series resistance) may result in overall circuit performance different from that listed. Please refer to **Application Note AN-H33** for more information.

Supertex inc. does not recommend the use of its products in life support applications, and will not knowingly sell them for use in such applications unless it receives an adequate "product liability indemnification insurance agreement." **Supertex inc.** does not assume responsibility for use of devices described, and limits its liability to the replacement of the devices determined defective due to workmanship. No responsibility is assumed for possible omissions and inaccuracies. Circuitry and specifications are subject to change without notice. For the latest product specifications refer to the **Supertex inc.** (website: <http://www.supertex.com>)