

4-Channel, Low Phase Noise, Low Power, Continuous Wave Transmitter

General Description

The CW01 has 6 logic inputs; OE, CLK, D_{IN}1, D_{IN}2, D_{IN}3, and D_{IN}4. Every logic input has a 10kΩ pull down resistor.

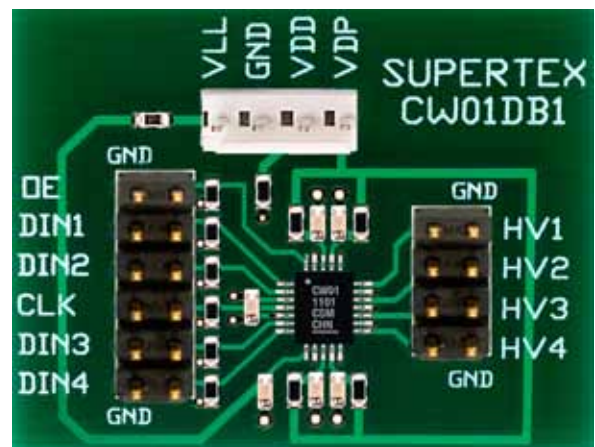
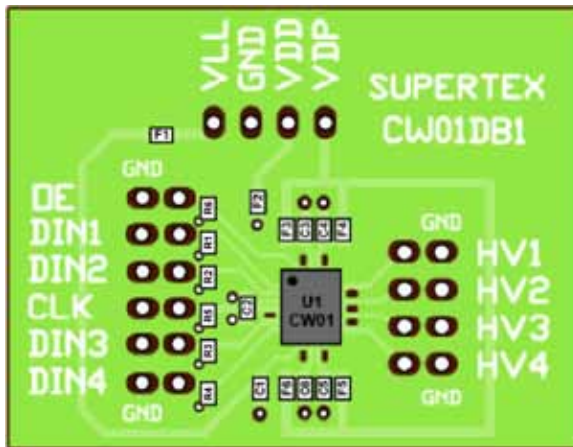
There are 3 power input voltages: V_{LL}, V_{DD} and V_{DX}. V_{LL} is the input logic level, typically 2.5V. V_{DD} is the level translator, typically 5.0V. V_{DX} is the gate drive voltage, and is at the same voltage level as V_{DD}. High peak currents will be drawn from V_{DX} during switching. Each supply has a series ferrite bead and a 0.1μF ceramic chip capacitor to keep the supply clean from high frequency noise.

There are 4 outputs: HV1, HV2, HV3 and HV4. These are the connections to the drains of 100V, 7.0Ω, N-channel MOSFETs.

Specifications

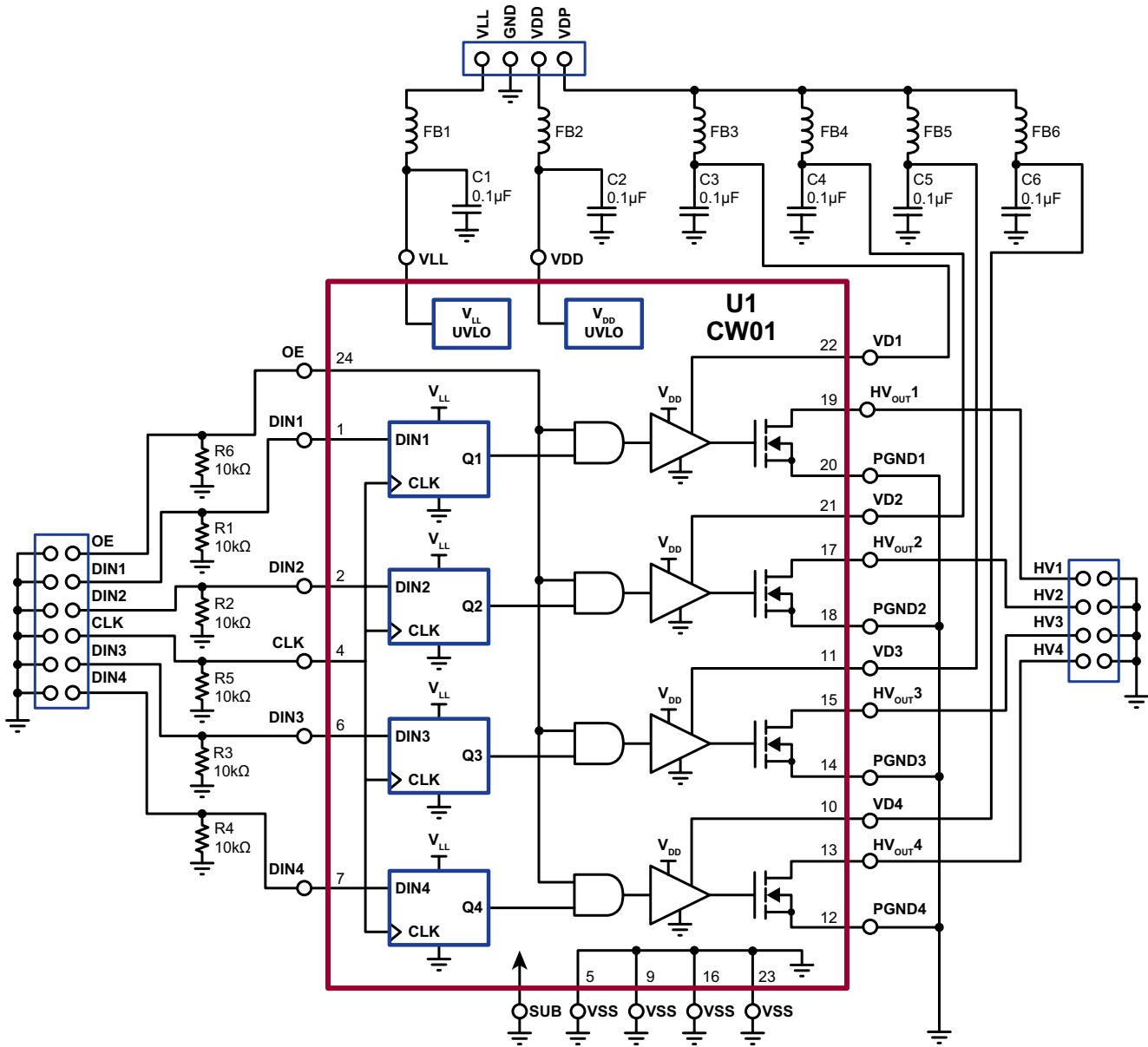
Parameter	Value
V _{LL}	0V to +5.5V
V _{DD}	0V to +5.5V
V _{DX}	0V to +5.5V

Board Layout



Actual Size: 41.0mm x 31.0mm

CW01 Demoboard Circuit Diagram



Bill Of Materials

Part	Description	Value	Package	Manufacturer	Part Number
R1 to R6	Chip resistor	10kΩ	0603	Any	---
C1 to C6	Chip capacitor	0.1μF	0603	Any	---
FB1 to FB6	Ferrite Bead	220Ω@100MHz, 200mA	0603	Any	---
U1	4-ch, low phase noise, CW transmitter	100V, 7.0Ω	24-Lead QFN	Supertex, inc.	CW01K6-G

Supertex inc. does not recommend the use of its products in life support applications, and will not knowingly sell them for use in such applications unless it receives an adequate "product liability indemnification insurance agreement." **Supertex inc.** does not assume responsibility for use of devices described, and limits its liability to the replacement of the devices determined defective due to workmanship. No responsibility is assumed for possible omissions and inaccuracies. Circuitry and specifications are subject to change without notice. For the latest product specifications refer to the **Supertex inc.** (website: <http://www.supertex.com>)