



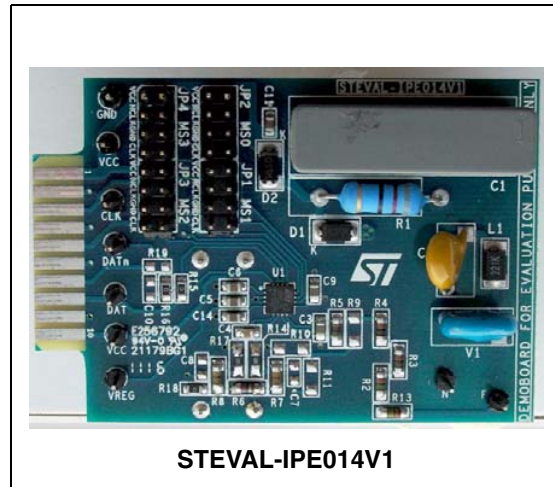
# STEVAL-IPE014V1

## Multiphase energy meter daughterboard based on the STPMS2 smart sensor device

Data brief

### Features

- Modular and programmable
- Supports:
  - 3-phase, 4-wire RSTN, 4-system RSTN (tamper); extra module required
  - 3-phase, 4-wire RSTN, 3-system RST
  - 3-phase, 3-wire RST\_, 3-system RST\_ (tamper)
  - 3-phase, 3-wire RST\_, 2-system R\_T\_ (Aron)
  - 2-phase, 3-wire \_STN, 2-system \_ST\_ (America)
  - 1-phase, 2-wire \_\_TN, 2-system \_ST\_ (tamper)
  - 1-phase, 2-wire \_\_TN, 1-system \_\_T\_
- 4 LED indicators to display:
  - Power
  - No load condition
  - Tamper detection
  - Reverse current direction
- Embedded capacitive power supply
- Isolation of current channel
- RoHS compliant



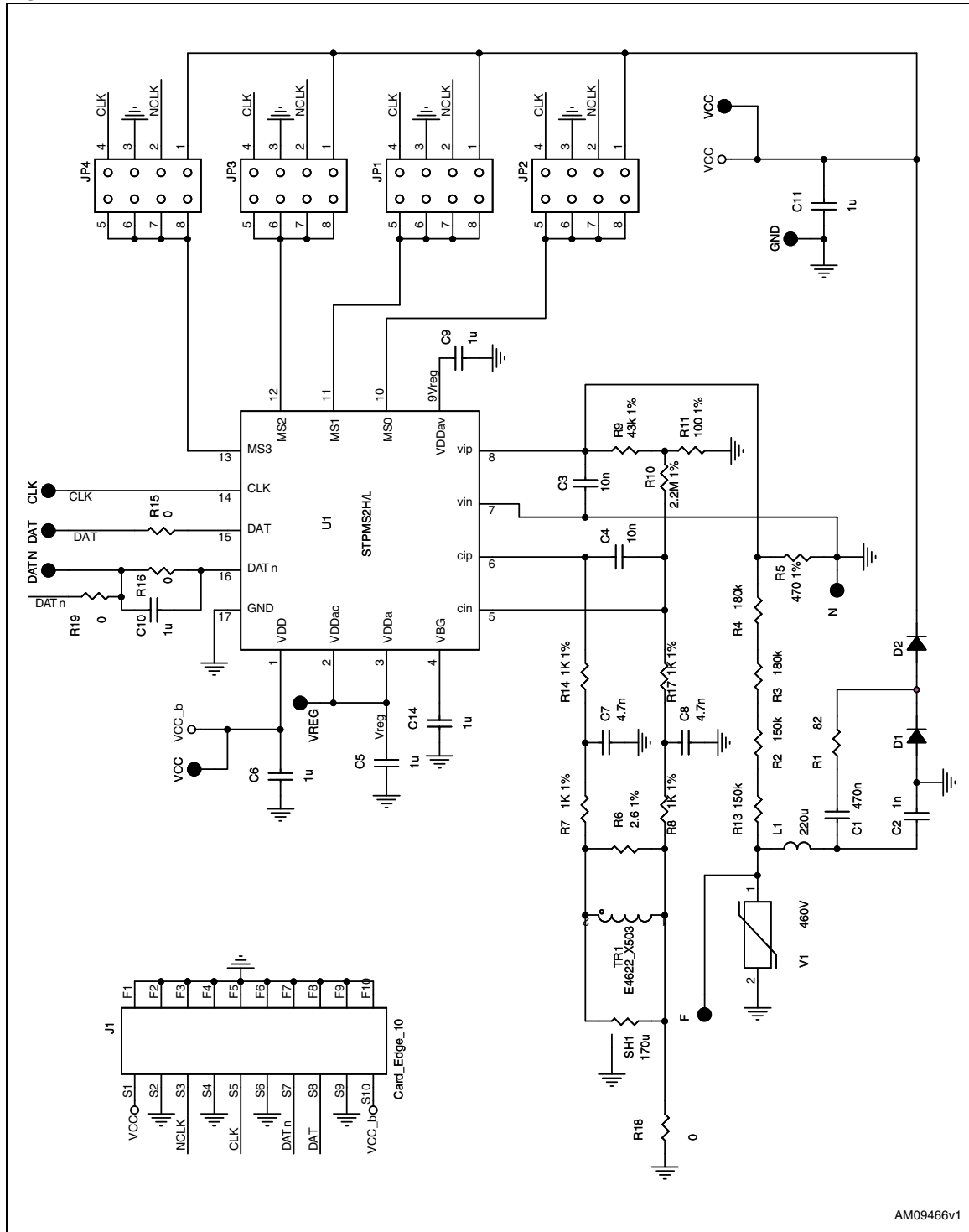
### Description

The STEVAL-IPE014V1 is a daughterboard based on the STPMS2 “smart sensor” device, and is designed for use with the STPMC1-based STEVAL-IPE010V1 motherboard. Together the system provides a complete, ready-to-use energy meter application.

When connected to the motherboard, each STEVAL-IPE014V1 daughterboard serves a single phase, converting and multiplexing the voltage and current information and sending the stream to the STPMC1 energy calculator IC.

# 1 Schematic diagram

Figure 1. STEVAL-IPE014V1 circuit schematic



AM09466v1



## 2 Revision history

**Table 1. Document revision history**

Date	Revision	Changes
24-Aug-2011	1	Initial release.

**Please Read Carefully:**

Information in this document is provided solely in connection with ST products. STMicroelectronics NV and its subsidiaries ("ST") reserve the right to make changes, corrections, modifications or improvements, to this document, and the products and services described herein at any time, without notice.

All ST products are sold pursuant to ST's terms and conditions of sale.

Purchasers are solely responsible for the choice, selection and use of the ST products and services described herein, and ST assumes no liability whatsoever relating to the choice, selection or use of the ST products and services described herein.

No license, express or implied, by estoppel or otherwise, to any intellectual property rights is granted under this document. If any part of this document refers to any third party products or services it shall not be deemed a license grant by ST for the use of such third party products or services, or any intellectual property contained therein or considered as a warranty covering the use in any manner whatsoever of such third party products or services or any intellectual property contained therein.

**UNLESS OTHERWISE SET FORTH IN ST'S TERMS AND CONDITIONS OF SALE ST DISCLAIMS ANY EXPRESS OR IMPLIED WARRANTY WITH RESPECT TO THE USE AND/OR SALE OF ST PRODUCTS INCLUDING WITHOUT LIMITATION IMPLIED WARRANTIES OF MERCHANTABILITY, FITNESS FOR A PARTICULAR PURPOSE (AND THEIR EQUIVALENTS UNDER THE LAWS OF ANY JURISDICTION), OR INFRINGEMENT OF ANY PATENT, COPYRIGHT OR OTHER INTELLECTUAL PROPERTY RIGHT.**

**UNLESS EXPRESSLY APPROVED IN WRITING BY TWO AUTHORIZED ST REPRESENTATIVES, ST PRODUCTS ARE NOT RECOMMENDED, AUTHORIZED OR WARRANTED FOR USE IN MILITARY, AIR CRAFT, SPACE, LIFE SAVING, OR LIFE SUSTAINING APPLICATIONS, NOR IN PRODUCTS OR SYSTEMS WHERE FAILURE OR MALFUNCTION MAY RESULT IN PERSONAL INJURY, DEATH, OR SEVERE PROPERTY OR ENVIRONMENTAL DAMAGE. ST PRODUCTS WHICH ARE NOT SPECIFIED AS "AUTOMOTIVE GRADE" MAY ONLY BE USED IN AUTOMOTIVE APPLICATIONS AT USER'S OWN RISK.**

Resale of ST products with provisions different from the statements and/or technical features set forth in this document shall immediately void any warranty granted by ST for the ST product or service described herein and shall not create or extend in any manner whatsoever, any liability of ST.

ST and the ST logo are trademarks or registered trademarks of ST in various countries.

Information in this document supersedes and replaces all information previously supplied.

The ST logo is a registered trademark of STMicroelectronics. All other names are the property of their respective owners.

© 2011 STMicroelectronics - All rights reserved

STMicroelectronics group of companies

Australia - Belgium - Brazil - Canada - China - Czech Republic - Finland - France - Germany - Hong Kong - India - Israel - Italy - Japan - Malaysia - Malta - Morocco - Philippines - Singapore - Spain - Sweden - Switzerland - United Kingdom - United States of America

[www.st.com](http://www.st.com)