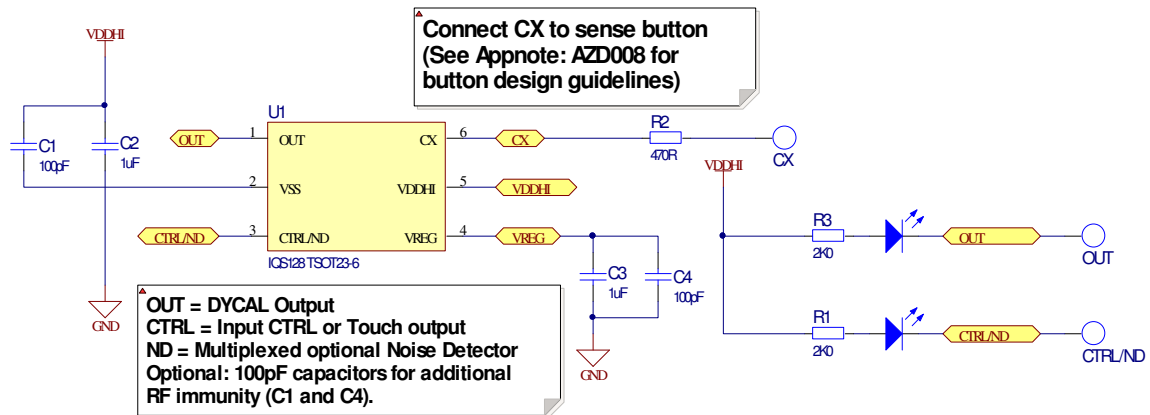


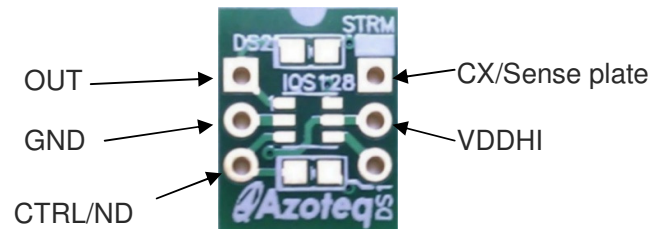


IQS128 on AZP242A02 Connection Guide

1 IQS128 on AZP242A02

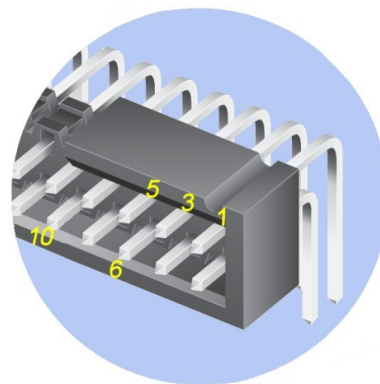


2 PCboard (AZP242A02)



3 CT-Tool Connections

IQS128 pins	CT200 / CT220 pins	
	Programming	Streaming
GND	1	1
VDDHI	3	3
CTRL/ND	5	
CX	6	
OUT		10





The IQS128 ProxSense® IC is a fully integrated capacitive sensor with Dynamic Calibration technology to compensate for sensor drift during proximity and touch detection.

Features

- Features DYCAL™ Intelligent Hysteresis
- Internal Capacitor Implementation (ICI)
- Automatic Antenna Tuning Implementation (Auto-ATI)
- Supply voltage: 2.95V to 5.5V
- Minimal external components
- 1-Wire open drain data streaming
- Advanced on-chip digital signal processing
- User selectable (OTP):
 - External synchronization control or
 - External control over filter operation
 - I/O Sink or Source selection
 - Time-out for stuck key
 - Proximity and Touch sensitivity selections
- 6 pin TSOT23-6
- IQS128LP offered in DFN(2x3)-8
- Touch: 6 mm plastic, 10 mm glass
- Proximity: 15cm

IQS128EV01 Kit includes:

- 3 x Module PCB with IQS128 (TSOT23-6)

Contact Information

Please visit www.azoteq.com for comprehensive datasheets, application notes, reference designs and a list of distributors for your region.