

## Data Sheet

Rev. 1.00 / January 2012

# ZSPM4012

High Efficiency 2A Synchronous Buck Converter



*Power and Precision ...*



# ZSPM4012

High Efficiency 2A Synchronous Buck Converter

**ZMDI**<sup>®</sup>

The Analog Mixed Signal Company



## Brief Description

The ZSPM4012 is a DC/DC synchronous switching regulator with fully integrated power switches, internal compensation, and full fault protection. The switching frequency of 1MHz enables the use of small filter components, resulting in reduced board space and reduced BOM costs.

The ZSPM4012 utilizes current mode feedback in normal regulation PWM mode. When the regulator is disabled (EN is low), the device draws less than 10uA quiescent current.

The ZSPM4012 integrates a wide range of protection circuitry, including: input supply under-voltage lockout, output voltage soft start, current limit, and thermal shutdown.

The ZSPM4012 includes supervisory reporting through the PG (Power Good) open drain output to interface other components in the system.

## Features

- Fixed output voltages: 1.5V, 1.8V, 2.5V, 3.3V, and 5V with +/- 2% output tolerance
- Adjustable version output voltage range: 0.9V to 5V with +/- 1.5% reference
- Wide input voltage range: 6V to 24V (26.4V Abs Max)
- 1MHz +/- 10% fixed switching frequency
- 2A continuous output current: High efficiency – up to 95%
- Current mode PWM control with PFM mode for improved light load efficiency
- Voltage supervisor for  $V_{OUT}$  reported at the PG pin
- Input supply under voltage lockout
- Soft start for controlled startup with no overshoot
- Full protection for over-current, over-temperature, and  $V_{OUT}$  over-voltage
- Less than 10uA in shutdown mode
- Low external component count

## Benefits

- Increased battery life
- Minimal external component count (3 capacitors, 1 inductor)
- Inherent fault protection and reporting

## Related ZMDI Smart Power Products

- ZSPM4011/ZSPM4013: 1A/3A synchronous buck converters, available with adjustable output from 0.9 to 5V or fixed output voltages at 1.5V, 1.8V, 2.5V, 3.3V, 5.0V (16 Lead 3x3 QFN)
- ZSPM1000: >5A single-phase, single-rail, true digital PWM controller (24-lead 4x4 QFN)

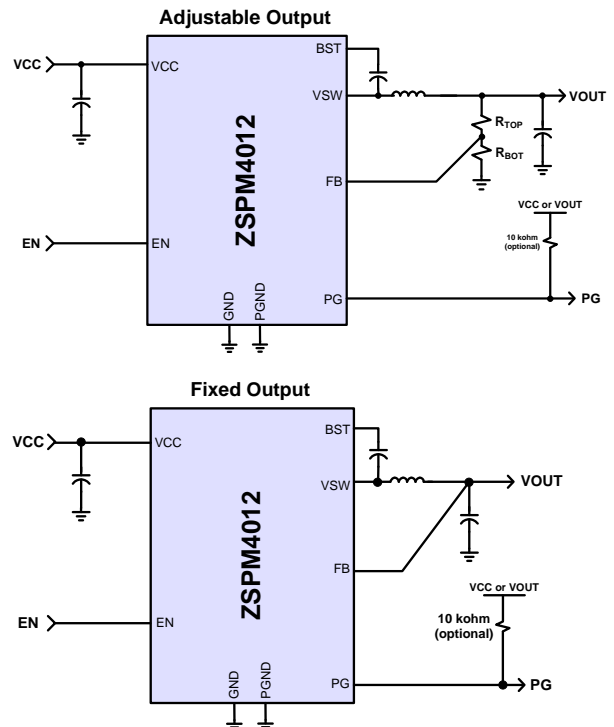
## Available Support

- Evaluation kit
- Datasheets

## Physical Characteristics

- Junction operating temperature -40°C to 125°C
- Packaged in a 16pin QFN (3x3)

## ZSPM4012 Application Circuits



# ZSPM4012

High Efficiency 2A Synchronous Buck Converter

**ZMDI**<sup>®</sup>

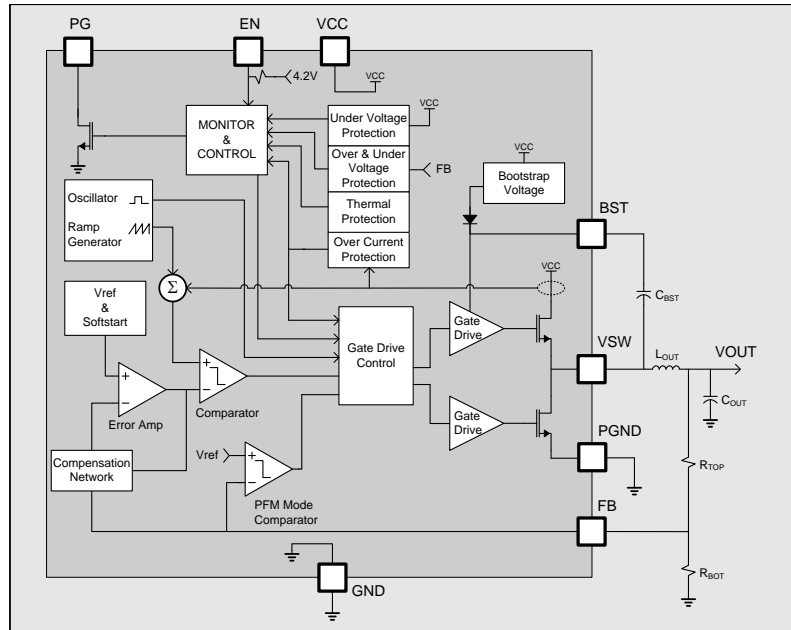
The Analog Mixed Signal Company



## ZSPM4012 Block Diagram

### Typical Applications

- Wireless access points, cable modems
- Set-top boxes
- DVD, LCD, LED supplies
- Portable products, including GPS, smart phones, tablet PCs
- Printers



## Ordering Information

Ordering Code	Description	Package
ZSPM4012AA1W00	ZSPM4012, 2A synchronous buck converter: adjustable output, 0.9 to 5V	16 Lead 3x3 QFN
ZSPM4012AA1W15	ZSPM4012, 2A synchronous buck converter: fixed output, 1.5V	16 Lead 3x3 QFN
ZSPM4012AA1W18	ZSPM4012, 2A synchronous buck converter: fixed output, 1.8V	16 Lead 3x3 QFN
ZSPM4012AA1W25	ZSPM4012, 2A synchronous buck converter: fixed output, 2.5V	16 Lead 3x3 QFN
ZSPM4012AA1W33	ZSPM4012, 2A synchronous buck converter: fixed output, 3.3V	16 Lead 3x3 QFN
ZSPM4012AA1W50	ZSPM4012, 2A synchronous buck converter: fixed output, 5.0V	16 Lead 3x3 QFN
ZSPM4012KIT	ZSPM4012KIT, evaluation kit for 2A synchronous buck converter	

## Sales and Further Information

[www.zmdi.com](http://www.zmdi.com)

[analog@zmdi.com](mailto:analog@zmdi.com)

**Zentrum Mikroelektronik Dresden AG**  
Grenzstrasse 28  
01109 Dresden  
Germany

Phone +49 (0)351.8822  
Fax +49 (0)351.8822

**ZMD America, Inc.**  
1525 McCarthy Blvd., #212  
Milpitas, CA 95035-7453  
USA

**Zentrum Mikroelektronik Dresden AG, Japan Office**  
2nd Floor, Shinbashi Tokyo Bldg.  
4-21-3, Shinbashi, Minato-ku  
Tokyo, 105-0004  
Japan

Phone +81.3.6895.7410  
Fax +81.3.6895.7301

**ZMD FAR EAST, Ltd.**  
3F, No. 51, Sec. 2,  
Keelung Road  
11052 Taipei  
Taiwan

Phone +886.2.2377.8189  
Fax +886.2.2377.8199

**Zentrum Mikroelektronik Dresden AG, Korean Office**  
POSCO Centre Building  
West Tower, 11th Floor  
892 Daechi, 4-Dong,  
Kangnam-Gu  
Seoul, 135-777  
Korea

Phone +82.2.559.0660  
Fax +82.2.559.0700

**DISCLAIMER:** This information applies to a product under development. Its characteristics and specifications are subject to change without notice. Zentrum Mikroelektronik Dresden AG (ZMD AG) assumes no obligation regarding future manufacture unless otherwise agreed to in writing. The information furnished hereby is believed to be true and accurate. However, under no circumstances shall ZMD AG be liable to any customer, licensee, or any other third party for any special, indirect, incidental, or consequential damages of any kind or nature whatsoever arising out of or in any way related to the furnishing, performance, or use of this technical data. ZMD AG hereby expressly disclaims any liability of ZMD AG to any customer, licensee or any other third party, and any such customer, licensee and any other third party hereby waives any liability of ZMD AG for any damages in connection with or arising out of the furnishing, performance or use of this technical data, whether based on contract, warranty, tort (including negligence), strict liability, or otherwise.

# ZSPM4012

High Efficiency 2A Synchronous Buck Converter

**ZMDI**<sup>®</sup>

The Analog Mixed Signal Company



## Contents

1	ZSPM4012 Characteristics .....	6
1.1.	Absolute Maximum Ratings .....	6
1.2.	Thermal Characteristics .....	6
1.3.	Recommended Operating Conditions .....	6
1.4.	Electrical Characteristics .....	7
1.5.	Regulator Characteristics .....	8
2	Typical Performance Characteristics .....	9
3	Description of Circuit .....	12
3.1.	Internal Protection Details .....	13
3.1.1.	Internal Current Limit .....	13
3.1.2.	Thermal Shutdown .....	13
3.1.3.	Reference Soft-Start .....	13
3.1.4.	Output Over-Voltage .....	13
3.1.5.	VCC Under-Voltage Lockout .....	13
4	Application Circuits .....	14
4.1.	Selection of External Components .....	14
4.2.	Typical Application Circuits .....	14
5	Pin Configuration and Package .....	15
5.1.	Marking Diagram & Pin-out .....	16
5.2.	Pin Description for 16 LEAD 3x3 QFN .....	17
5.3.	Detailed Pin Description .....	17
5.3.1.	Unregulated Input, VCC (Pins # 2,3) .....	17
5.3.2.	Bootstrap Control, BST (Pin #10) .....	17
5.3.3.	Sense Feedback, FB (Pin #5) .....	17
5.3.4.	Switching Output, VSW (Pins #12,13) .....	18
5.3.5.	Ground, GND (Pin #4) .....	18
5.3.6.	Power Ground, PGND (Pins #14,15) .....	18
5.3.7.	Enable, High-Voltage, EN (Pin #9) .....	18
5.3.8.	PG Output, PG (Pin #8) .....	18
6	Ordering Information .....	18
7	Related Documents .....	19
8	Glossary .....	19
9	Document Revision History .....	19

# ZSPM4012

High Efficiency 2A Synchronous Buck Converter

**ZMDI**<sup>®</sup>

The Analog Mixed Signal Company



## List of Figures

Figure 2.1: Startup Response.....	9
Figure 2.2: 100mA to 1A Load Step (V <sub>CC</sub> = 12V, V <sub>OUT</sub> = 1,8V) .....	9
Figure 2.3: 100mA to 2A Load (V <sub>CC</sub> =12V, V <sub>OUT</sub> = 1,8V).....	9
Figure 2.4: 100mA to 1A Load Step (V <sub>CC</sub> =12V, V <sub>OUT</sub> = 3,3V) .....	9
Figure 2.5: 100mA to 2A Load Step (V <sub>CC</sub> =12V, V <sub>OUT</sub> = 3,3V) .....	9
Figure 2.6: Line Transient Response (V <sub>CC</sub> =10V to 15V, V <sub>OUT</sub> = 3.3V) .....	9
Figure 2.7: Load Regulation .....	10
Figure 2.8: Line Regulation (I <sub>OUT</sub> =1A) .....	10
Figure 2.9: Efficiency vs. Output Current ( V <sub>OUT</sub> = 1.8V).....	10
Figure 2.10: Efficiency vs. Output Current ( V <sub>OUT</sub> = 3.3V).....	10
Figure 2.11: Efficiency vs. Output Current ( V <sub>OUT</sub> = 5V).....	10
Figure 2.12: Efficiency vs. Input Voltage (V <sub>OUT</sub> = 3.3V) .....	10
Figure 2.13: Standby Current vs. Input Voltage .....	11
Figure 2.14: Standby Current vs. Temperature .....	11
Figure 2.15: Output Voltage vs. Temperature .....	11
Figure 2.16: Oscillator Frequency vs. Temperature (I <sub>OUT</sub> =300mA) .....	11
Figure 2.17: Quiescent Current vs. Temperature (No load) .....	11
Figure 2.18: Input Current vs. Temperature (No load, No switching).....	11
Figure 3.1: ZSPM4012 Block Diagram.....	12
Figure 3.2: Monitor and Control Logic Functionality .....	13
Figure 4.1: Typical Application for Adjustable Output Voltage.....	14
Figure 4.2: Typical Application for Fixed Output Voltage.....	14
Figure 5.1: ZSPM4012 Package Drawing.....	15
Figure 5.2: 16 Lead 3x3 QFN (top view) .....	16

## List of Tables

Table 1.1: Absolute Maximum Ratings .....	6
Table 1.2: Thermal Characteristics.....	6
Table 1.3: Recommended Operating Conditions .....	6
Table 1.4: Electrical Characteristics .....	7
Table 1.5: Regulator Characteristics .....	8
Table 5.1: Pin Description, 16 Lead, 3x3 QFN .....	17



## 1 ZSPM4012 Characteristics

### 1.1. Absolute Maximum Ratings

Over operating free-air temperature range unless otherwise noted<sup>(1,2)</sup>

**Table 1.1: Absolute Maximum Ratings**

Parameter	Value	UNIT
VCC	-0.3 to 26.4	V
BST	-0.3 to (VCC+6)	V
VSW	-1 to 26.4	V
EN, PG, FB	-0.3 to 6	V
Continuous total power dissipation	See Dissipation Rating Table	
Electrostatic Discharge – Human Body Model	+/-2k	V
Electrostatic Discharge – Charge Device Model	+/-500	V
Lead Temperature (soldering, 10 seconds)	260	°C

(1) Stresses beyond those listed under “absolute maximum ratings” may cause permanent damage to the device. These are stress ratings only and functional operation of the device at these or any other conditions beyond those indicated under “recommended operating conditions” is not implied. Exposure to absolute-maximum-rated conditions for extended periods may affect device reliability.

(2) All voltage values are with respect to network ground terminal

### 1.2. Thermal Characteristics

**Table 1.2: Thermal Characteristics**

Symbol	Parameter	Value	Unit
$\theta_{JA}$	Thermal Resistance Junction to Air (Note 1)	38	°C/W
$T_{STG}$	Storage Temperature Range	-65 to 150	°C
$T_{JMAX}$	Maximum Junction Temperature	150	°C
$T_J$	Operating Junction Temperature Range	-40 to 125	°C

Note 1: Assumes SOIC-8EP 1 in<sup>2</sup> area of 2 oz copper and 25°C ambient temperature.

### 1.3. Recommended Operating Conditions

**Table 1.3: Recommended Operating Conditions**

Symbol	Parameter	Min	Typ	Max	Unit
VCC	Input Operating Voltage	6	12	24	V
$C_{BST}$	Bootstrap Capacitor	17.6	22	26.4	nF
$L_{OUT}$	Output Filter Inductor Typical Value (Note 1)	3.76	4.7	5.64	uH
$C_{OUT}$	Output Filter Capacitor Typical Value (Note 2)	33	44 (2 x 22)		uF
$C_{OUT-ESR}$	Output Filter Capacitor ESR	2		100	mΩ
$C_{BYPASS}$	Input Supply Bypass Capacitor Typical Value (Note 3)	8	10		uF

Note 1: For best performance, an inductor with a saturation current rating higher than the maximum  $V_{OUT}$  load requirement plus the inductor current ripple.

Note 2: For best performance, a low ESR ceramic capacitor should be used.

Note 3: For best performance, a low ESR ceramic capacitor should be used. If  $C_{BYPASS}$  is not a low ESR ceramic capacitor, a 0.1uF ceramic capacitor should be added in parallel to  $C_{BYPASS}$ .

# ZSPM4012

High Efficiency 2A Synchronous Buck Converter

**ZMDI**<sup>®</sup>

The Analog Mixed Signal Company



## 1.4. Electrical Characteristics

Electrical Characteristics,  $T_J = -40^{\circ}\text{C}$  to  $125^{\circ}\text{C}$ ,  $V_{CC} = 12\text{V}$  (unless otherwise noted)

Table 1.4: Electrical Characteristics

Symbol	Parameter	Condition	Min	Typ	Max	Unit
<b>VCC Supply Voltage</b>						
VCC	Input Supply Voltage		6		24	V
$I_{CC-NORM}$	Quiescent current Normal Mode	$V_{CC} = 12\text{V}$ , $I_{LOAD} = 0\text{A}$		5.2		mA
$I_{CC-NOSWITCH}$	Quiescent current Normal Mode – Non-switching	$V_{CC}=12\text{V}$ , $I_{LOAD}=0\text{A}$ , Non-switching		2.3		mA
$I_{CC-STBY}$	Quiescent current Standby Mode	$V_{CC} = 12\text{V}$ , $EN = 0\text{V}$		5	10	$\mu\text{A}$
<b>VCC Under Voltage Lockout</b>						
VCC-UV	Input Supply Under Voltage Threshold	VCC Increasing	5.5		6.0	V
VCC-UV-HYST	Input Supply Under Voltage Threshold Hysteresis			650		mV
<b>OSC</b>						
F <sub>OSC</sub>	Oscillator Frequency		0.9	1	1.1	MHz
<b>PG Open Drain Output</b>						
T <sub>PG</sub>	PG Release Timer			10		Ms
$I_{OH-PG}$	High-Level Output Leakage	$V_{PG} = 5\text{V}$		0.5		$\mu\text{A}$
$V_{OL-PG}$	Low-Level Output Voltage	$I_{PG} = -0.3\text{mA}$			0.01	V
<b>EN Input Voltage Thresholds</b>						
$V_{IH-EN}$	High Level Input Voltage		2.2			V
$V_{IL-EN}$	Low Level Input Voltage				0.8	V
$V_{HYST-EN}$	Input Hysteresis			480		mV
$I_{IN-EN}$	Input Leakage	$V_{EN}=5\text{V}$		3.5		$\mu\text{A}$
		$V_{EN}=0\text{V}$		-1.5		$\mu\text{A}$
<b>Thermal Shutdown</b>						
TSD	Thermal Shutdown Junction Temperature	Note: not tested in production	150	170		$^{\circ}\text{C}$
TSD <sub>HYST</sub>	TSD Hysteresis			10		$^{\circ}\text{C}$

# ZSPM4012

High Efficiency 2A Synchronous Buck Converter

**ZMDI**<sup>®</sup>

The Analog Mixed Signal Company



## 1.5. Regulator Characteristics

Electrical Characteristics,  $T_J = -40^\circ\text{C}$  to  $125^\circ\text{C}$ ,  $V_{CC} = 12\text{V}$  (unless otherwise noted)

**Table 1.5: Regulator Characteristics**

Symbol	Parameter	Condition	Min	Typ	Max	Unit
<b>Switch Mode Regulator: <math>L=4.7\mu\text{H}</math> and <math>C=2 \times 22\mu\text{F}</math></b>						
$V_{\text{OUT-PWM}}$	Output Voltage Tolerance in PWM Mode	$I_{\text{LOAD}} = 1\text{A}$	$V_{\text{OUT}} - 2\%$	$V_{\text{OUT}}$	$V_{\text{OUT}} + 2\%$	V
$V_{\text{OUT-PFM}}$	Output Voltage Tolerance in PFM Mode	$I_{\text{LOAD}} = 0\text{A}$	$V_{\text{OUT}} - 1\%$	$V_{\text{OUT}} + 1\%$	$V_{\text{OUT}} + 3.5\%$	V
$R_{\text{DS(ON)}}$	High Side Switch On Resistance	$I_{\text{VSW}} = -1\text{A}$ (Note 1)		180		m $\Omega$
	Low Side Switch On Resistance	$I_{\text{VSW}} = 1\text{A}$ (Note 1)		120		m $\Omega$
$I_{\text{OUT}}$	Output Current				2	A
$I_{\text{OCD}}$	Over Current Detect	HS switch current	2.4	2.8	3.4	A
$\text{FB}_{\text{TH}}$	Feedback Reference (Adjustable Mode)		0.886	0.9	0.914	V
$\text{FB}_{\text{TH-TOL}}$	Feedback Reference Tolerance		-1.5		1.5	%
$T_{\text{SS}}$	Softstart Ramp Time			4		ms
$\text{FB}_{\text{TH-PFM}}$	PFM Mode FB Comparator Threshold			$V_{\text{OUT}} + 1\%$		V
$V_{\text{OUT-UV}}$	$V_{\text{OUT}}$ Under Voltage Threshold		$91\% V_{\text{OUT}}$	$93\% V_{\text{OUT}}$	$95\% V_{\text{OUT}}$	
$V_{\text{OUT-UV-HYST}}$	$V_{\text{OUT}}$ Under Voltage Hysteresis			$1.5\% V_{\text{OUT}}$		
$V_{\text{OUT-OV}}$	$V_{\text{OUT}}$ Over Voltage Threshold			$103\% V_{\text{OUT}}$		
$V_{\text{OUT-OV-HYST}}$	$V_{\text{OUT}}$ Over Voltage Hysteresis			$1\% V_{\text{OUT}}$		
$\text{DUTY}_{\text{MAX}}$	Max Duty Cycle	(Note 2)	95%	97%	99%	

Note 1:  $R_{\text{DS(ON)}}$  is characterized at 1A and tested at lower current in production.

Note 2: Regulator VSW pin is forced off for 240ns every 8 cycles to ensure the BST cap is replenished.



# ZSPM4012

High Efficiency 2A Synchronous Buck Converter

ZMDI®

The Analog Mixed Signal Company



## 2 Typical Performance Characteristics

$T_J = -40^{\circ}\text{C}$  to  $125^{\circ}\text{C}$ ,  $V_{CC} = 12\text{V}$  (unless otherwise noted)

Figure 2.1: Startup Response

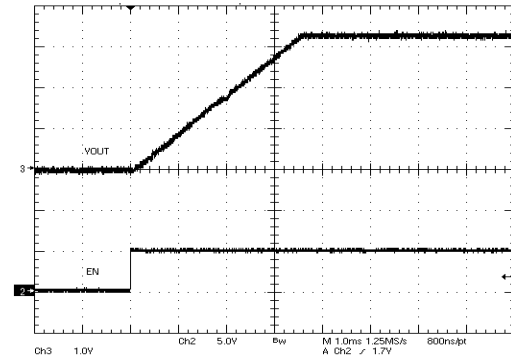


Figure 2.2: 100mA to 1A Load Step ( $V_{CC} = 12\text{V}$ ,  $V_{out} = 1.8\text{V}$ )

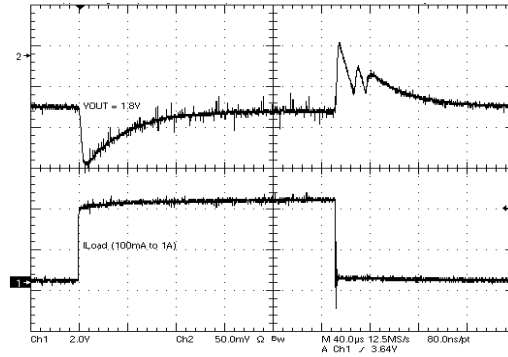


Figure 2.3: 100mA to 2A Load ( $V_{CC} = 12\text{V}$ ,  $V_{out} = 1.8\text{V}$ )

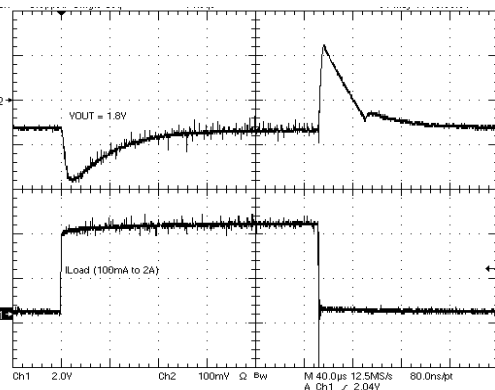


Figure 2.4: 100mA to 1A Load Step ( $V_{CC} = 12\text{V}$ ,  $V_{out} = 3.3\text{V}$ )

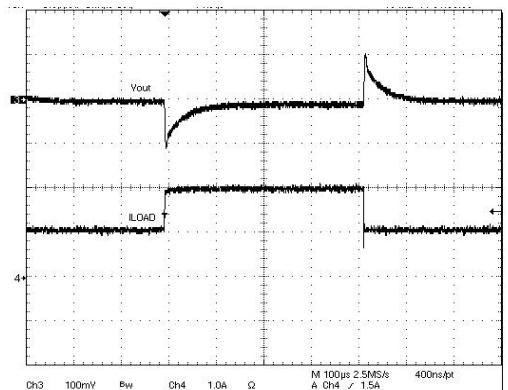


Figure 2.5: 100mA to 2A Load Step ( $V_{CC} = 12\text{V}$ ,  $V_{out} = 3.3\text{V}$ )

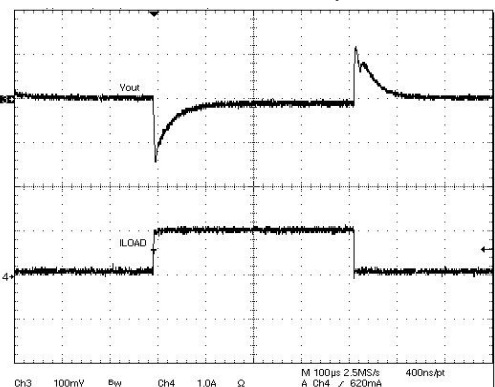
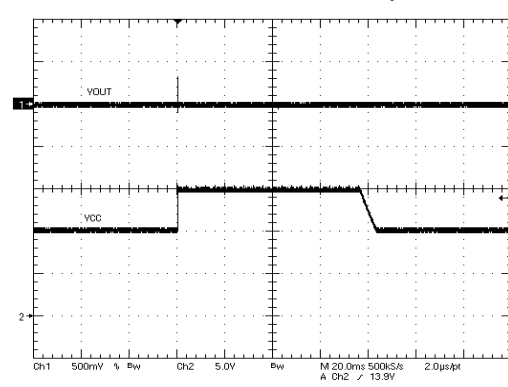


Figure 2.6: Line Transient Response ( $V_{CC} = 10\text{V}$  to  $15\text{V}$ ,  $V_{out} = 3.3\text{V}$ )



# ZSPM4012

High Efficiency 2A Synchronous Buck Converter

ZMDI®

The Analog Mixed Signal Company



Figure 2.7: Load Regulation

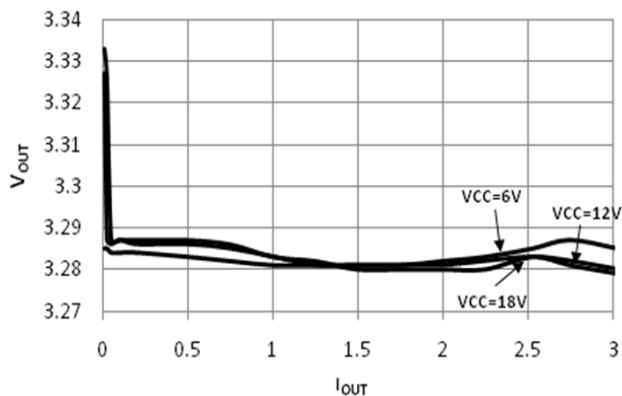


Figure 2.8: Line Regulation ( $I_{OUT}=1A$ )

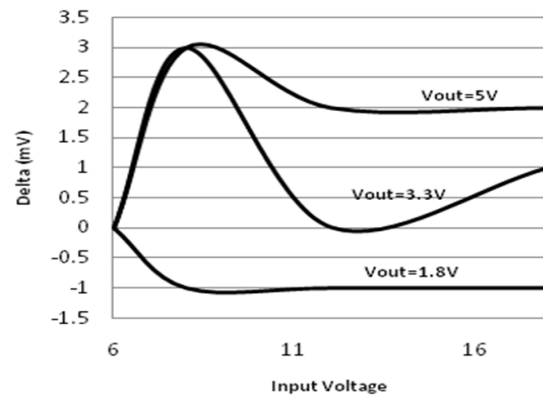


Figure 2.9: Efficiency vs. Output Current ( $V_{OUT}=1.8V$ )

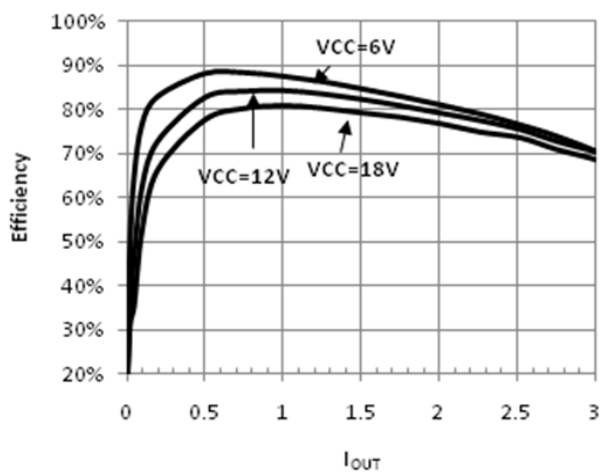


Figure 2.10: Efficiency vs. Output Current ( $V_{OUT}=3.3V$ )

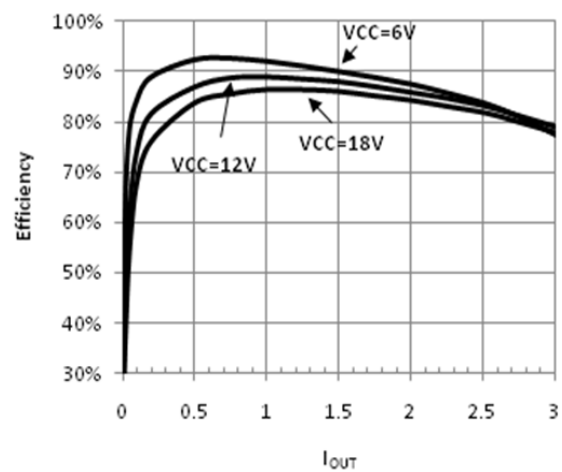


Figure 2.11: Efficiency vs. Output Current ( $V_{OUT}=5V$ )

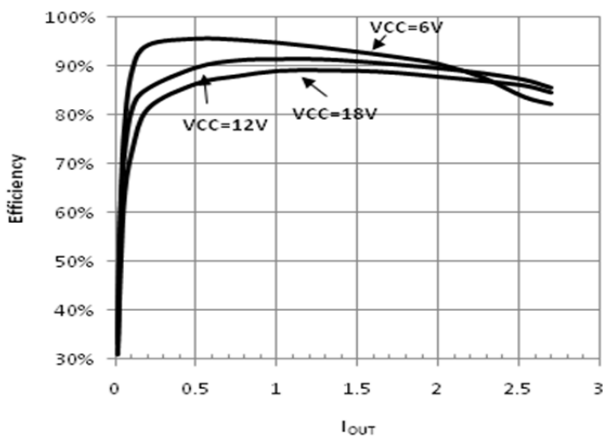
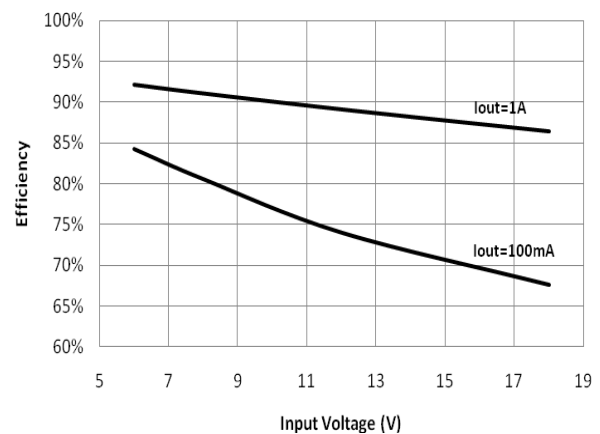


Figure 2.12: Efficiency vs. Input Voltage ( $V_{OUT}=3.3V$ )



# ZSPM4012

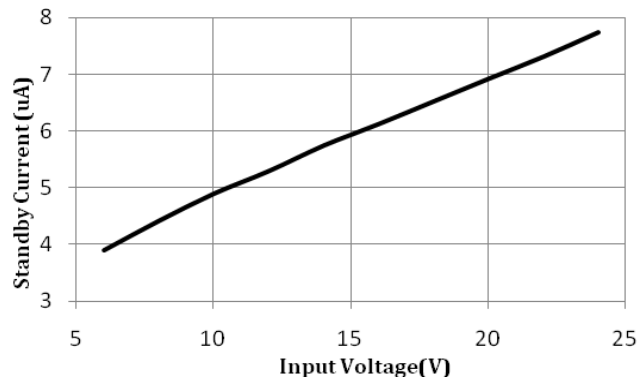
High Efficiency 2A Synchronous Buck Converter

**ZMDI**<sup>®</sup>

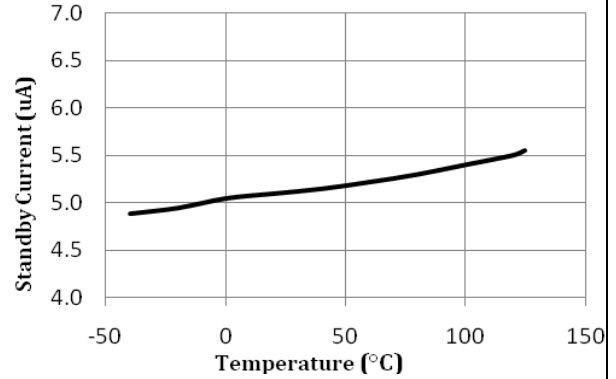
The Analog Mixed Signal Company



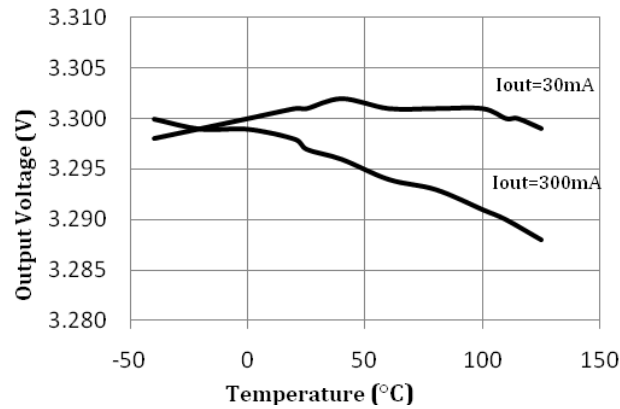
**Figure 2.13: Standby Current vs. Input Voltage**



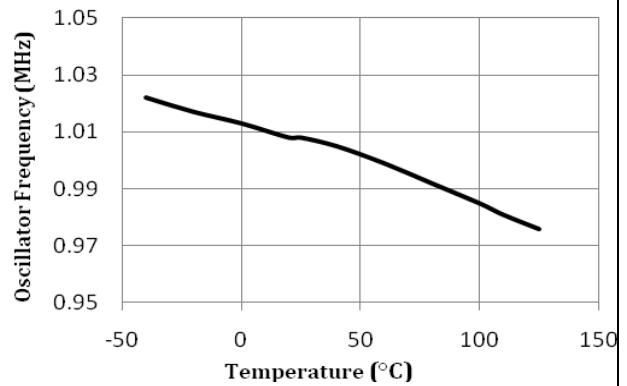
**Figure 2.14: Standby Current vs. Temperature**



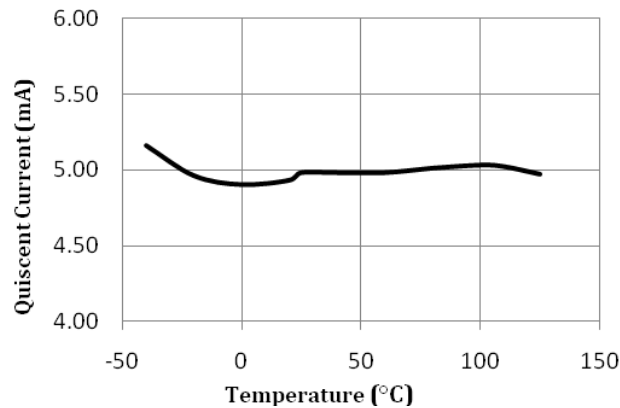
**Figure 2.15: Output Voltage vs. Temperature**



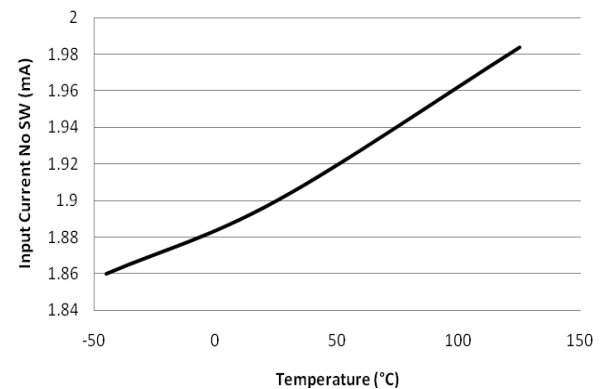
**Figure 2.16: Oscillator Frequency vs. Temperature (Iout=300mA)**



**Figure 2.17: Quiescent Current vs. Temperature (No load)**



**Figure 2.18: Input Current vs. Temperature (No load, No switching)**

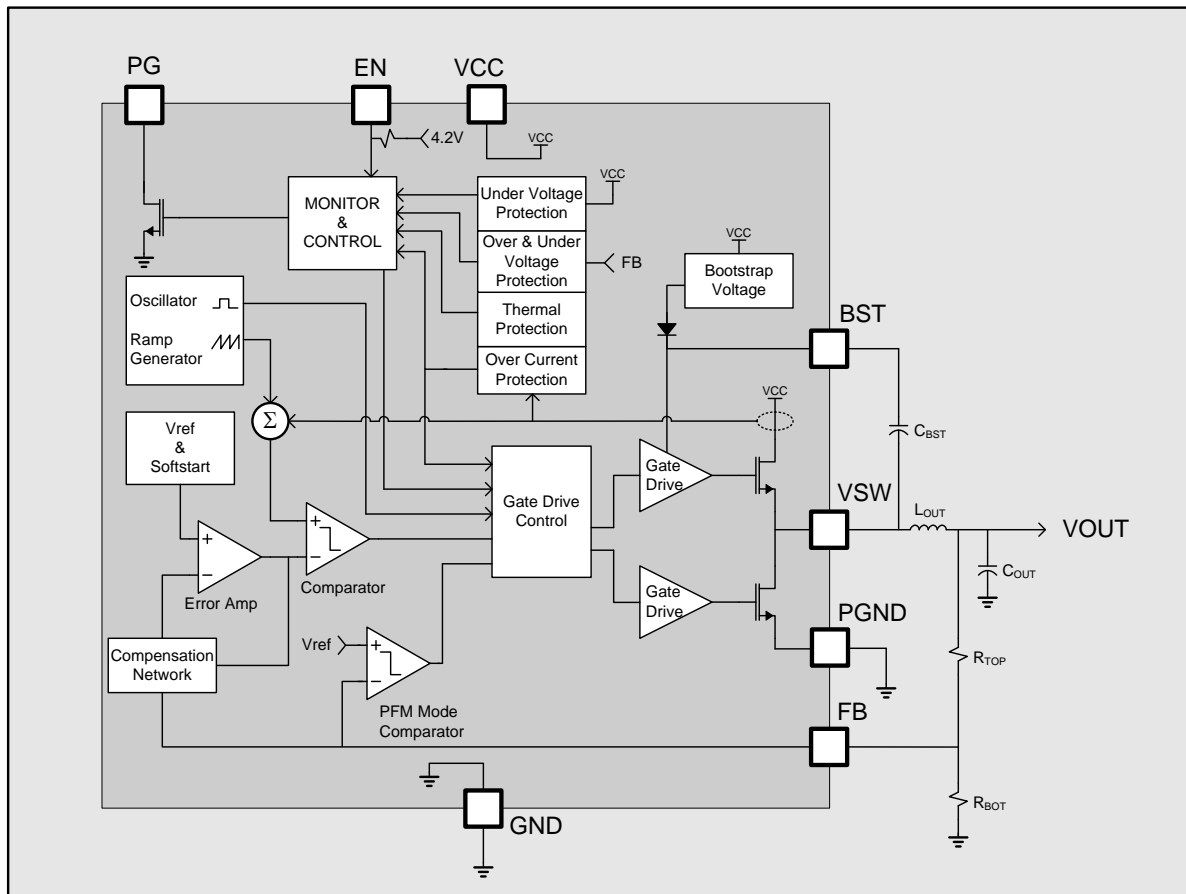




### 3 Description of Circuit

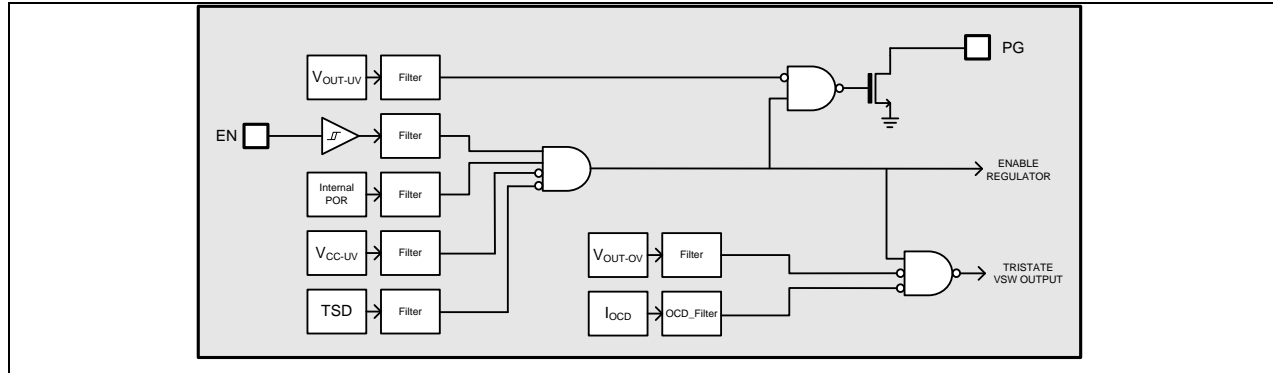
The ZSPM4012 current-mode synchronous step-down power supply product can be used in the commercial, industrial, and automotive market segments. It includes flexibility for a wide range of output voltages and is optimized for high efficiency power conversion with low  $R_{DS(ON)}$  integrated synchronous switches. A 1MHz internal switching frequency facilitates low cost LC filter combinations. Additionally, the fixed-output versions enable a minimum external component count to provide a complete regulation solution with only 4 external components: an input bypass capacitor, an inductor, an output capacitor, and the bootstrap capacitor. The regulator automatically transitions between PFM and PWM mode to maximize efficiency for the load demand.

Figure 3.1: ZSPM4012 Block Diagram





**Figure 3.2: Monitor and Control Logic Functionality**



### 3.1. Internal Protection Details

#### 3.1.1. Internal Current Limit

The current through the high side FET is sensed on a cycle-by-cycle basis and if current limit is reached, it will abbreviate the cycle. In addition, the device senses the FB pin to identify hard short conditions and will direct the VSW output to skip 4 cycles if current limit occurs when FB is low. This allows current built up in the inductor during the minimum on time to decay sufficiently.

Current limit is always active when the regulator is enabled. Soft start ensures that current limit does not prevent regulator startup.

An additional feature of the over-current protection circuitry is that, under extended over current conditions, the device will automatically disable. A simple toggle of the Enable pin will return the device to normal operation.

#### 3.1.2. Thermal Shutdown

If the temperature of the die exceeds 170°C (typical), the VSW outputs will tri-state to protect the device from damage. The PG and all other protection circuitry will stay active to inform the system of the failure mode. Once the device cools to 160°C (typical), the device will attempt to start up again, following the normal soft start sequence. If the device reaches 170°C, the shutdown/restart sequence will repeat.

#### 3.1.3. Reference Soft-Start

The reference in this device is ramped at a rate of 4ms to prevent the output from overshoot during startup. This ramp restarts whenever there is a rising edge sensed on the Enable pin. This occurs in both the fixed and adjustable versions. During the soft start ramp, current limit is still active, and will still protect the device in case of a short on the output.

#### 3.1.4. Output Over-Voltage

If the output of the regulator exceeds 103% of the regulation voltage, the VSW outputs will tri-state to protect the device from damage. This check occurs at the start of each switching cycle. If it occurs during the middle of a cycle, the switching for that cycle will complete, and the VSW outputs will tri-state at the beginning of the next cycle.

#### 3.1.5. VCC Under-Voltage Lockout

The device is held in the off state until VCC reaches 5.75V (typical). There is a 500mV hysteresis on this input, which requires the input to fall below 5.25V (typical) before the device will disable.

# ZSPM4012

High Efficiency 2A Synchronous Buck Converter

**ZMDI**<sup>®</sup>

The Analog Mixed Signal Company



## 4 Application Circuits

### 4.1. Selection of External Components

The internal compensation is optimized for a 44 $\mu$ F output capacitor and a 4.7 $\mu$ H inductor. The minimum allowable value for the output capacitor is 33 $\mu$ F. To keep the output ripple low, a low ESR (less than 35m $\Omega$ ) ceramic is recommended. The inductor range is 4.7 $\mu$ H  $\pm$ 20%. For optimal over-current protection, the inductor should be able to handle up to the regulator current limit without saturation.

### 4.2. Typical Application Circuits

Figure 4.1: Typical Application for Adjustable Output Voltage

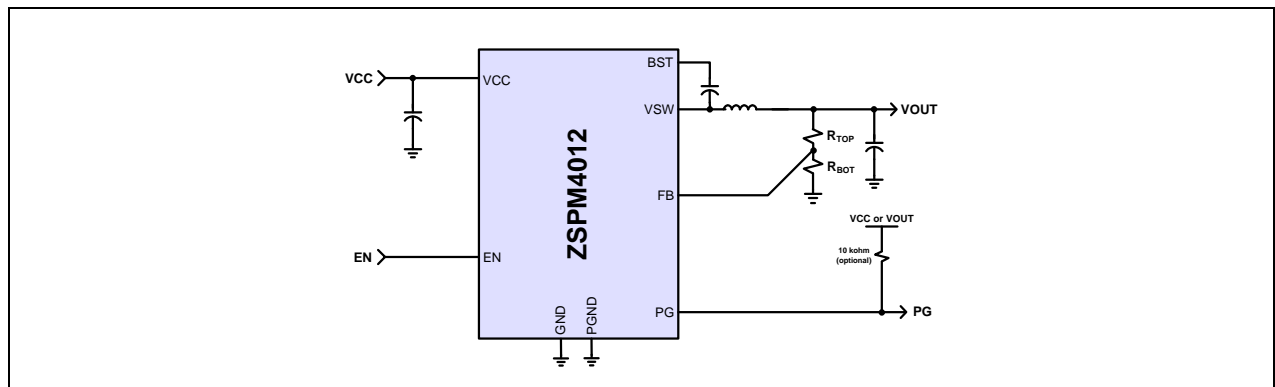
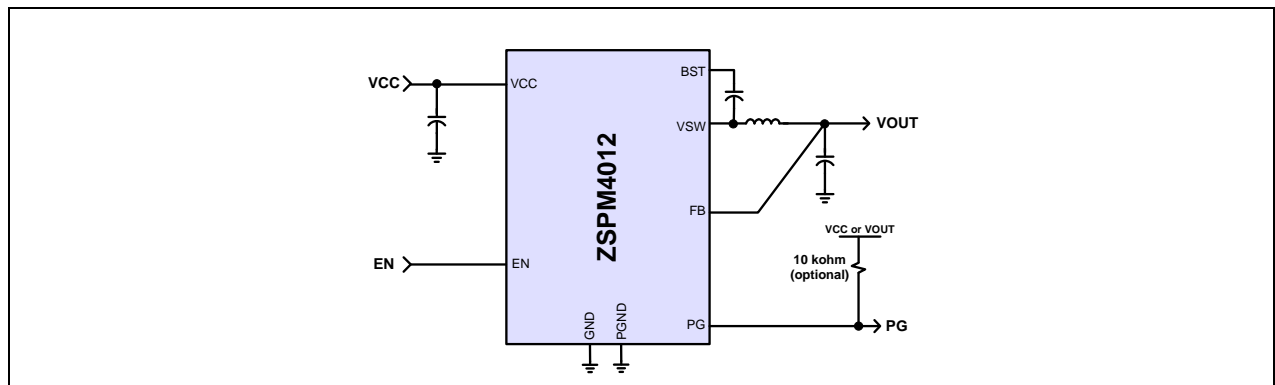


Figure 4.2: Typical Application for Fixed Output Voltage



# ZSPM4012

High Efficiency 2A Synchronous Buck Converter

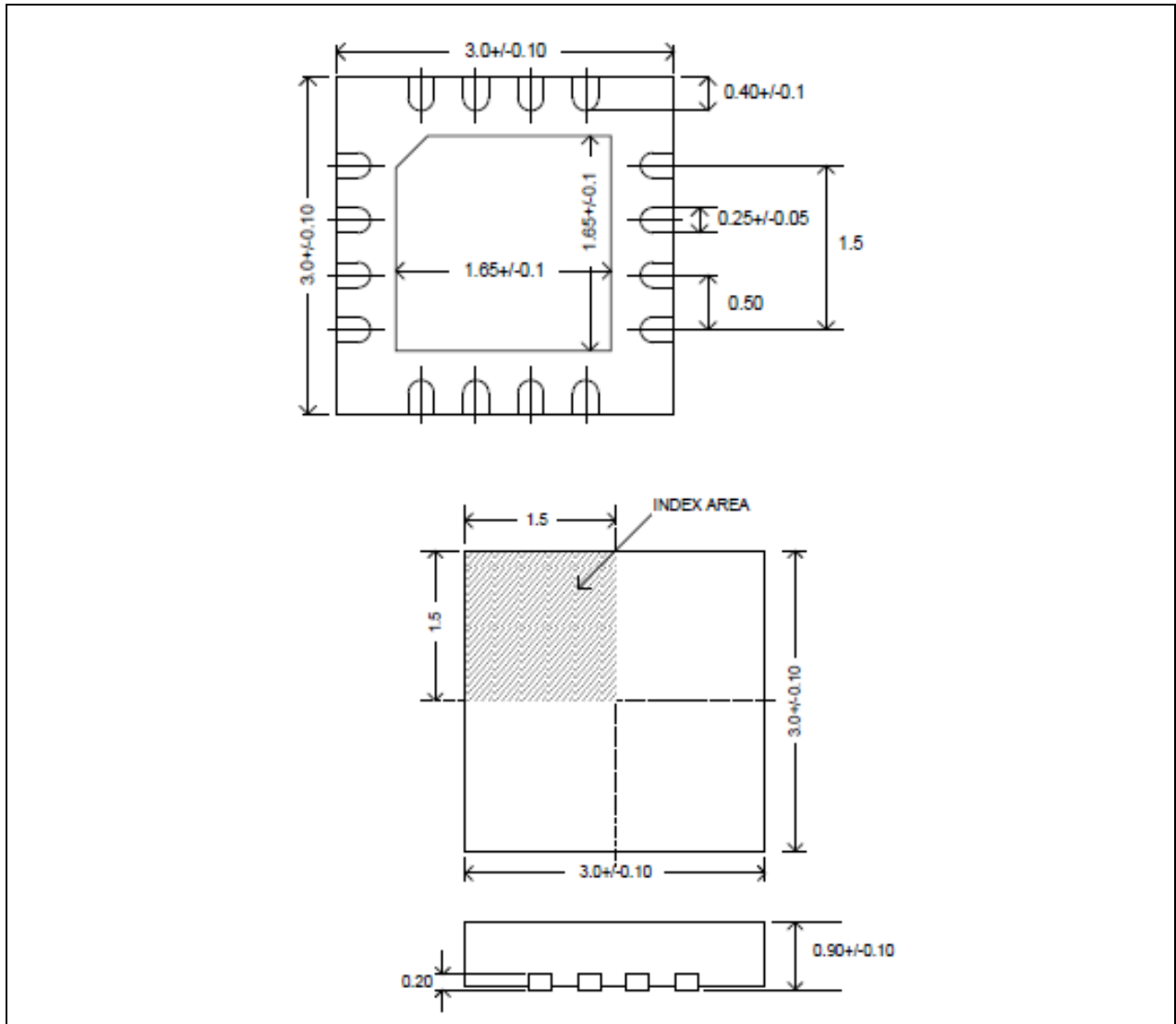
**ZMDI**<sup>®</sup>

The Analog Mixed Signal Company



## 5 Pin Configuration and Package

Figure 5.1: ZSPM4012 Package Drawing



# ZSPM4012

High Efficiency 2A Synchronous Buck Converter

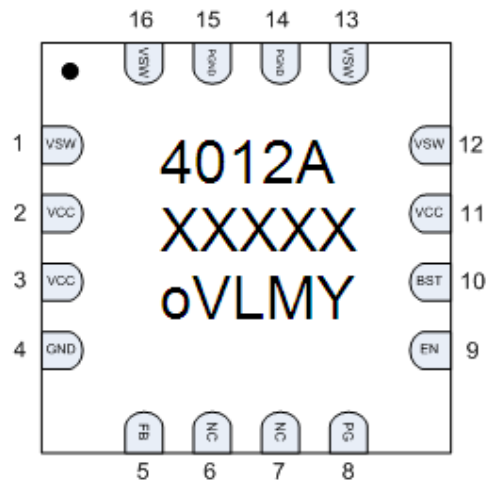
**ZMDI**<sup>®</sup>

The Analog Mixed Signal Company



## 5.1. Marking Diagram & Pin-out

Figure 5.2: 16 Lead 3x3 QFN (top view)



### 4012: Part Name

**A:** Revision

**XXXXX:** Lot number (last five digits)

**O:** Pin 1 mark

**VL:** Voltage level

- 15 = 1.5V
- 18 = 1.8V
- 25 = 2.5V
- 33 = 3.3V
- 50 = 5.0V
- 00 = 0.9V – 5.0V variable

### MY: Date Code

**M = Month**

- 1 = January
- 2 = February
- 3 = March
- 4 = April
- 5 = May
- 6 = June
- 7 = July
- 8 = August
- 9 = September
- A = October
- B = November
- C = December

**Y = Year**

- A = 2011
- B = 2012
- C = 201
- Etc.



# ZSPM4012

High Efficiency 2A Synchronous Buck Converter

**ZMDI**<sup>®</sup>

The Analog Mixed Signal Company



## 5.2. Pin Description for 16 LEAD 3x3 QFN

Table 5.1: Pin Description, 16 Lead, 3x3 QFN

Name	Pin #	Function	Description
VSW	1	Switching Voltage Node	Connected to 4.7uH (typical) inductor
VCC	2	Input Voltage	Input voltage
VCC	3	Input Voltage	Input voltage
GND	4	GND	Primary ground for the majority of the device except the low-side power FET.
FB	5	Feedback Input	Regulator FB Voltage. Connects to $V_{OUT}$ for fixed-mode and the output resistor divider for adjustable mode.
NC	6	No Connect	Not Connected
NC	7	No Connect	Not Connected
PG	8	PG Output	Open-drain output.
EN	9	Enable Input	Above 2.2V the device is enabled. GND the pin to disable the device. Includes internal pull-up.
BST	10	Bootstrap Capacitor	Bootstrap capacitor for the high-side FET gate driver. 22nF ceramic capacitor from BST pin to VSW pin
VCC	11	Input Voltage	Input Voltage
VSW	12	Switching Voltage Node	Connected to 4.7uH (typical) inductor
VSW	13	Switching Voltage Node	Connected to 4.7uH (typical) inductor
PGND	14	Power GND	GND supply for internal low-side FET/integrated diode
PGND	15	Power GND	GND supply for internal low-side FET/integrated diode
VSW	16	Switching Voltage Node	Connected to 4.7uH (typical) inductor

## 5.3. Detailed Pin Description

### 5.3.1. Unregulated Input, VCC (Pins # 2,3)

This terminal is the unregulated input voltage source for the IC. It is recommended that a 10uF bypass capacitor be placed close to the device for best performance. Since this is the main supply for the IC, good layout practices need to be followed for this connection.

### 5.3.2. Bootstrap Control, BST (Pin #10)

This terminal will provide the bootstrap voltage required for the upper internal NMOS switch of the buck regulator. An external ceramic capacitor placed between the BST input terminal and the VSW pin will provide the necessary voltage for the upper switch. In normal operation the capacitor is re-charged on every low side synchronous switching action. In the case of where the switch mode approaches 100% duty cycle for the high side FET, the device will automatically reduce the duty cycle switch to a minimum off time on every 8<sup>th</sup> cycle to allow this capacitor to re-charge.

### 5.3.3. Sense Feedback, FB (Pin #5)

This is the input terminal for the output voltage feedback. For the fixed-mode versions, this should be connected directly to  $V_{OUT}$ . The connection on the PCB should be kept as short as possible, and should be made as close as possible to the capacitor. The trace should not be shared with any other connection.

# ZSPM4012

High Efficiency 2A Synchronous Buck Converter

**ZMDI**<sup>®</sup>

The Analog Mixed Signal Company



For adjustable-mode versions, this should be connected to the external resistor divider. To choose the resistors, use the following equation:

$$V_{OUT} = 0.9 (1 + R_{TOP}/R_{BOT})$$

The input to the FB pin is high impedance, and input current should be less than 100nA. As a result, good layout practices are required for the feedback resistors and feedback traces. When using the adjustable version, the feedback trace should be kept as short and narrow as possible to reduce stray capacitance and the injection of noise.

### 5.3.4. Switching Output, VSW (Pins #12,13)

This is the switching node of the regulator. It should be connected directly to the 4.7uH inductor with a wide, short trace and to one end of the Bootstrap capacitor. It is switching between VCC and PGND at the switching frequency.

### 5.3.5. Ground, GND (Pin #4)

This ground is used for the majority of the device including the analog reference, control loop, and other circuits.

### 5.3.6. Power Ground, PGND (Pins #14,15)

This is a separate ground connection used for the low-side synchronous switch to isolate switching noise from the rest of the device.

### 5.3.7. Enable, High-Voltage, EN (Pin #9)

This is the input terminal to activate the regulator. The input threshold is TTL/CMOS compatible. It also has an internal pull-up to ensure a stable state if the pin is disconnected.

### 5.3.8. PG Output, PG (Pin #8)

This is an open drain, active low output. The switched mode output voltage is monitored and the PG line will remain low until the output voltage reaches the  $V_{OUT-UV}$  threshold. Once the internal comparator detects that the output voltage is above the desired threshold, an internal delay timer is activated and the PG line is de-asserted (to high) once this delay timer expires. In the event the output voltage decreases below  $V_{OUT-UV}$ , the PG line will be asserted low and remain low until the output rises above  $V_{OUT-UV}$  and the delay timer times out. See Figure 2 for the circuit schematic for the PG signal.

## 6 Ordering Information

Product Sales Code	Description	Package
ZSPM4012AA1W00	ZSPM4012, 2A synchronous buck converter: adjustable output, 0.9 to 5V	16 Lead 3x3 QFN
ZSPM4012AA1W15	ZSPM4012, 2A synchronous buck converter: fixed output, 1.5V	16 Lead 3x3 QFN
ZSPM2012AA1W18	ZSPM4012, 2A synchronous buck converter: fixed output, 1.8V	16 Lead 3x3 QFN
ZSPM4012AA1W25	ZSPM4012, 2A synchronous buck converter: fixed output, 2.5V	16 Lead 3x3 QFN
ZSPM4012AA1W33	ZSPM4012, 2A synchronous buck converter: fixed output, 3.3V	16 Lead 3x3 QFN
ZSPM4012AA1W50	ZSPM4012, 2A synchronous buck converter: fixed output, 5.0V	16 Lead 3x3 QFN
ZSPM4012KIT	ZSPM4012KIT, evaluation kit for 2A synchronous buck converter	

Explanation of Ordering Codes:

ZSPM2012AA1Wxx: "W" = 7" reel with 1000 ICs

ZSPM2012AA1Rxx: "R" = 13" reel with 3300 ICs

Data Sheet January 23, 2012	© 2012 Zentrum Mikroelektronik Dresden AG — Rev. 1.00 All rights reserved. The material contained herein may not be reproduced, adapted, merged, translated, stored, or used without the prior written consent of the copyright owner. The information furnished in this publication is subject to changes without notice.	18 of 19
--------------------------------	---	----------

# ZSPM4012

High Efficiency 2A Synchronous Buck Converter



The Analog Mixed Signal Company



## 7 Related Documents

Document	File Name
ZSPM4011 Datasheet	High Efficiency 1A Synchronous Buck Converter
ZSPM4013 Datasheet	High Efficiency 3A Synchronous Buck Converter
ZSPM1000, ZSPM9000 Datasheets	Single-Phase, Single-Rail true digital PWM controller

Visit ZMDI's website [www.zmdi.com](http://www.zmdi.com) or contact your nearest sales office for the latest version of these documents.

## 8 Glossary

Term	Description
Buck converter	Step-down converter; converts a higher DC input voltage to a lower DC output voltage with high efficiency
Synchronous rectification	is a technique for improving the efficiency of rectification by replacing diodes with actively-controlled switches such as transistors
PWM	Pulse Width Modulation (fixed frequency)
PFM	Pulse Frequency Modulation (fixed pulse width)
ESR	Equivalent Series Resistance
Bootstrap control	When using an N-Channel Power MOSFET transistor as a high-side switch for the converter switching output, a gate voltage higher than the supply voltage is necessary to turn the transistor fully on. For this purpose, a charge pump circuit, called bootstrap control is implemented to provide this high supply voltage for the high-side power MOSFET driver block.

## 9 Document Revision History

Revision	Date	Description
1.00	23-Jan-2012	First release

Sales and Further Information		<a href="http://www.zmdi.com">www.zmdi.com</a>	<a href="mailto:analog@zmdi.com">analog@zmdi.com</a>
<b>Zentrum Mikroelektronik Dresden AG</b> Grenzstrasse 28 01109 Dresden Germany  Phone +49 (0)351.8822 Fax +49 (0)351.8822	<b>ZMD America, Inc.</b> 1525 McCarthy Blvd., #212 Milpitas, CA 95035-7453 USA	<b>Zentrum Mikroelektronik Dresden AG, Japan Office</b> 2nd Floor, Shinbashi Tokyu Bldg. 4-21-3, Shinbashi, Minato-ku Tokyo, 105-0004 Japan  Phone +81.3.6895.7410 Fax +81.3.6895.7301	<b>ZMD FAR EAST, Ltd.</b> 3F, No. 51, Sec. 2, Keelung Road 11052 Taipei Taiwan  Phone +886.2.2377.8189 Fax +886.2.2377.8199
<b>Zentrum Mikroelektronik Dresden AG, Korean Office</b> POSCO Centre Building West Tower, 11th Floor 892 Daechi, 4-Dong, Kangnam-Gu Seoul, 135-777 Korea  Phone +82.2.559.0660 Fax +82.2.559.0700			
<small><b>DISCLAIMER:</b> This information applies to a product under development. Its characteristics and specifications are subject to change without notice. Zentrum Mikroelektronik Dresden AG (ZMD AG) assumes no obligation regarding future manufacture unless otherwise agreed to in writing. The information furnished hereby is believed to be true and accurate. However, under no circumstances shall ZMD AG be liable to any customer, licensee, or any other third party for any special, indirect, incidental, or consequential damages of any kind or nature whatsoever arising out of or in any way related to the furnishing, performance, or use of this technical data. ZMD AG hereby expressly disclaims any liability of ZMD AG to any customer, licensee or any other third party, and any such customer, licensee and any other third party hereby waives any liability of ZMD AG for any damages in connection with or arising out of the furnishing, performance or use of this technical data, whether based on contract, warranty, tort (including negligence), strict liability, or otherwise.</small>			

Data Sheet January 23, 2012	© 2012 Zentrum Mikroelektronik Dresden AG — Rev. 1.00 All rights reserved. The material contained herein may not be reproduced, adapted, merged, translated, stored, or used without the prior written consent of the copyright owner. The information furnished in this publication is subject to changes without notice.	19 of 19
--------------------------------	---	----------