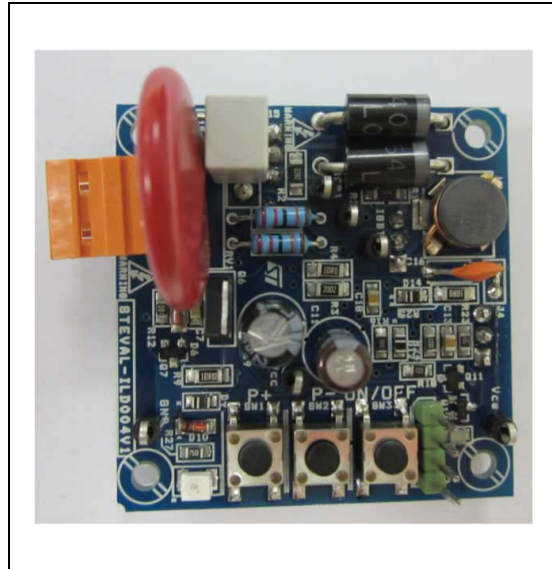


Digital wall dimmer for halogen and low-consumption lamps

Data brief

Features

- Operation for 2-wire wall dimmer
- Leading-edge control only (compatible with all commonly-available lamps on the market)
- Operation at 110 V or 230 V line rms voltage and 50 Hz or 60 Hz line frequency
- Dimmable power range (higher power is possible with larger heatsink):
 - 6 W to 600 W for 230 V rms line
 - 6 W to 300 W for 110 V rms line
- Power efficiency @ 600 W - 230 V > 99%
- Standby losses @ 230 V < 0.3 W
- Short-circuit protection at startup
- Enhanced interface with push-buttons; soft-start and soft-stop; memory of last setting
- Compliance with EMC standards:
 - IEC 61000-4-5: criteria A for 2 kV surge
 - IEC 61000-4-4: criteria A for more than 2.5 kV
- Compliant with EN55015 with 600 W - 230 V halogen lamp
- RoHS compliant



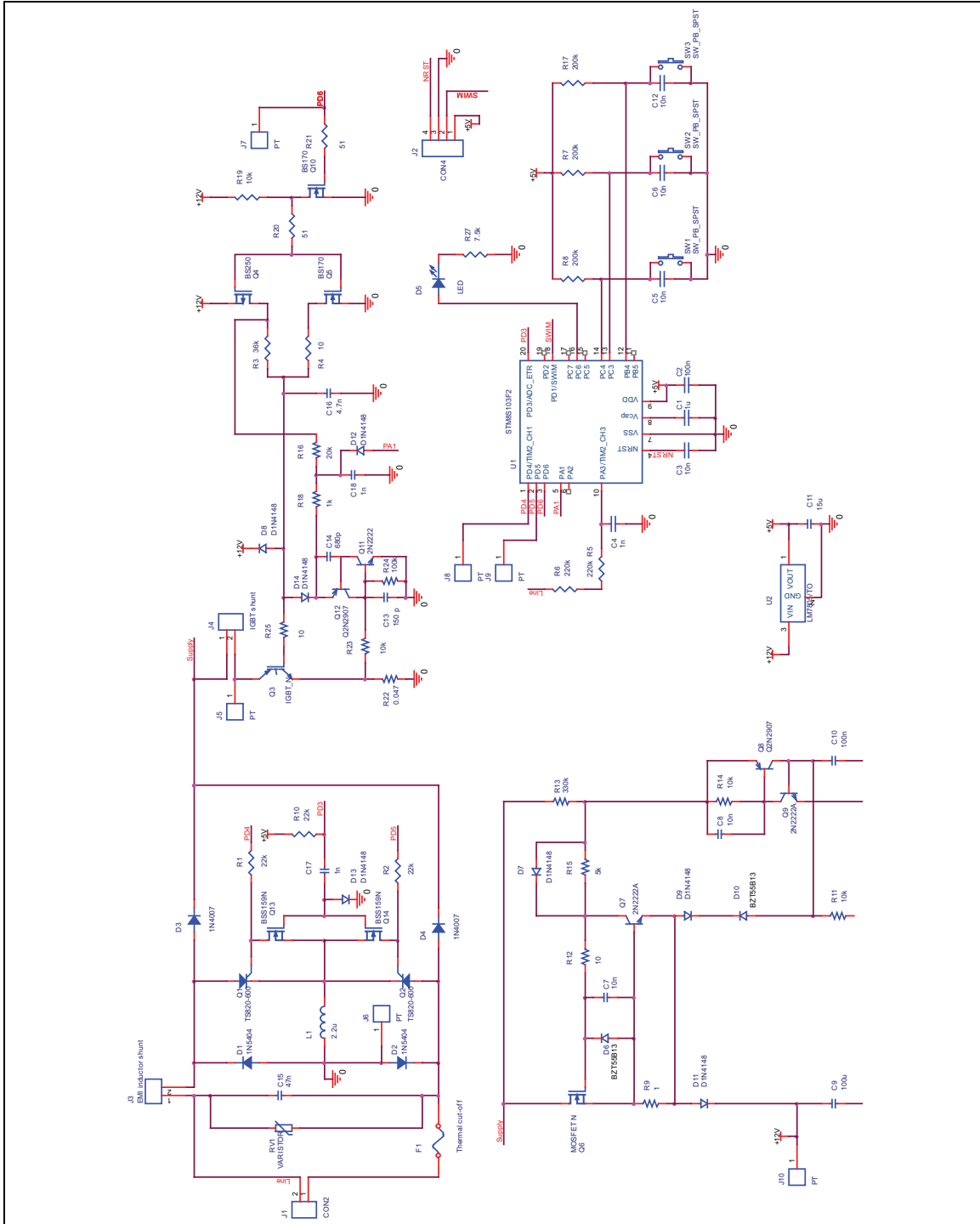
Description

The STEVAL-ILD004V1 demonstration board is designed to propose an innovative and low cost power topology for a light wall dimmer using two sensitive TS820-600FP SCRs and a single STGF10NC60KD IGBT to dim the following lamp types: low-voltage halogen lamps, SELV halogen lamps through magnetic or electronic transformers, and new CFL and LED dimmable lamps.

Control of the board is achieved with the STM8S103F2 microcontroller.

1 Schematic diagram

Figure 1. STEVAL-ILD004V1 circuit schematic



2 Revision history

Table 1. Document revision history

| Date | Revision | Changes |
|-------------|----------|------------------|
| 09-Jan-2013 | 1 | Initial release. |

Please Read Carefully:

Information in this document is provided solely in connection with ST products. STMicroelectronics NV and its subsidiaries ("ST") reserve the right to make changes, corrections, modifications or improvements, to this document, and the products and services described herein at any time, without notice.

All ST products are sold pursuant to ST's terms and conditions of sale.

Purchasers are solely responsible for the choice, selection and use of the ST products and services described herein, and ST assumes no liability whatsoever relating to the choice, selection or use of the ST products and services described herein.

No license, express or implied, by estoppel or otherwise, to any intellectual property rights is granted under this document. If any part of this document refers to any third party products or services it shall not be deemed a license grant by ST for the use of such third party products or services, or any intellectual property contained therein or considered as a warranty covering the use in any manner whatsoever of such third party products or services or any intellectual property contained therein.

UNLESS OTHERWISE SET FORTH IN ST'S TERMS AND CONDITIONS OF SALE ST DISCLAIMS ANY EXPRESS OR IMPLIED WARRANTY WITH RESPECT TO THE USE AND/OR SALE OF ST PRODUCTS INCLUDING WITHOUT LIMITATION IMPLIED WARRANTIES OF MERCHANTABILITY, FITNESS FOR A PARTICULAR PURPOSE (AND THEIR EQUIVALENTS UNDER THE LAWS OF ANY JURISDICTION), OR INFRINGEMENT OF ANY PATENT, COPYRIGHT OR OTHER INTELLECTUAL PROPERTY RIGHT.

UNLESS EXPRESSLY APPROVED IN WRITING BY TWO AUTHORIZED ST REPRESENTATIVES, ST PRODUCTS ARE NOT RECOMMENDED, AUTHORIZED OR WARRANTED FOR USE IN MILITARY, AIR CRAFT, SPACE, LIFE SAVING, OR LIFE SUSTAINING APPLICATIONS, NOR IN PRODUCTS OR SYSTEMS WHERE FAILURE OR MALFUNCTION MAY RESULT IN PERSONAL INJURY, DEATH, OR SEVERE PROPERTY OR ENVIRONMENTAL DAMAGE. ST PRODUCTS WHICH ARE NOT SPECIFIED AS "AUTOMOTIVE GRADE" MAY ONLY BE USED IN AUTOMOTIVE APPLICATIONS AT USER'S OWN RISK.

Resale of ST products with provisions different from the statements and/or technical features set forth in this document shall immediately void any warranty granted by ST for the ST product or service described herein and shall not create or extend in any manner whatsoever, any liability of ST.

ST and the ST logo are trademarks or registered trademarks of ST in various countries.

Information in this document supersedes and replaces all information previously supplied.

The ST logo is a registered trademark of STMicroelectronics. All other names are the property of their respective owners.

© 2013 STMicroelectronics - All rights reserved

STMicroelectronics group of companies

Australia - Belgium - Brazil - Canada - China - Czech Republic - Finland - France - Germany - Hong Kong - India - Israel - Italy - Japan - Malaysia - Malta - Morocco - Philippines - Singapore - Spain - Sweden - Switzerland - United Kingdom - United States of America

www.st.com