

Features

- Four PCI slots, three ISA slots, one Mini PCI slot
- POST Code Diagnostics
- Secondary Multi I/O
- Disk-On-Chip and CF Card support
- Audio Amplifier

Specifications

Core System

Core Module Interface	ETX® ver 2.7 (3.0)
Board Form factor	304.8 mm x 190 mm (ATX)
Expansion Busses	Four 32-bit PCI slots Three 16-bit ISA slots One MiniPCI slot
POST LEDs	Onboard diagnostics for BIOS POST codes
IDE Support	Four IDE devices (two connectors)
Parallel Port	One port SSP, ECP, and EEP mode
Serial Port	Two 16550 compatible RS-232 ports (COM1/2) Two additional ports COM3/4 from secondary multi I/O
KB/Mouse	Two 6-pin mini DIN connectors (on rear I/O panel)
USB	Four ports (on rear I/O panel) v1.1 and v2.0 compatible
LAN	RJ-45 (on rear I/O panel)

Secondary Multi I/O

FDD	Up to two floppy drives
Serial	One 16550 compatible RS-232 ports (COM3), one RS-232/422/485 Compatible port (COM4) and one IrDA header
Parallel	Secondary parallel port
GPIO	F75111R provides 20 GPIO.

Audio

Type	Onboard amplifier with Line-In, Speaker-out and Mic (on rear I/O panel) Line-In/Out, Speaker-out
------	---

Video

VGA	DB25 connector for analog VGA displays (on rear I/O panel)
LVDS	Onboard header supporting 36-bit LVDS
TV-out	Onboard header for PAL/NTSC TV TV-out (NTSC , PAL), LVDS 32-bit

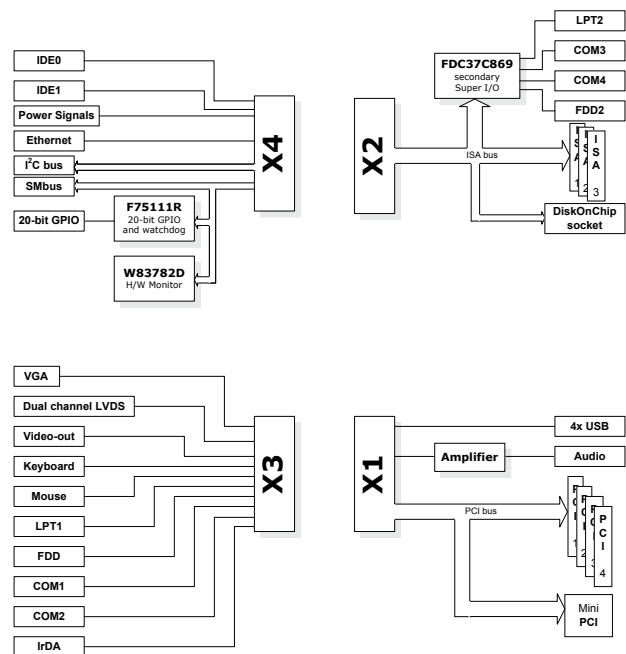
POST Code Display

LED	2-digit 7-segment LED display
Function	Displays POST (Power On Self Test) code

Power and Operation

Connectors	ATX and AT onboard
Switches	Onboard RESET and ATX switch

Functional Diagram



Ordering Information

Modules

Model Number	Description/Configuration
ETX-Proto	ETX® Reference Carrier Board in ATX form factor (includes CF socket assembly, UDMA HDD cable, SATA cable, FDD cable, TV-out cable)