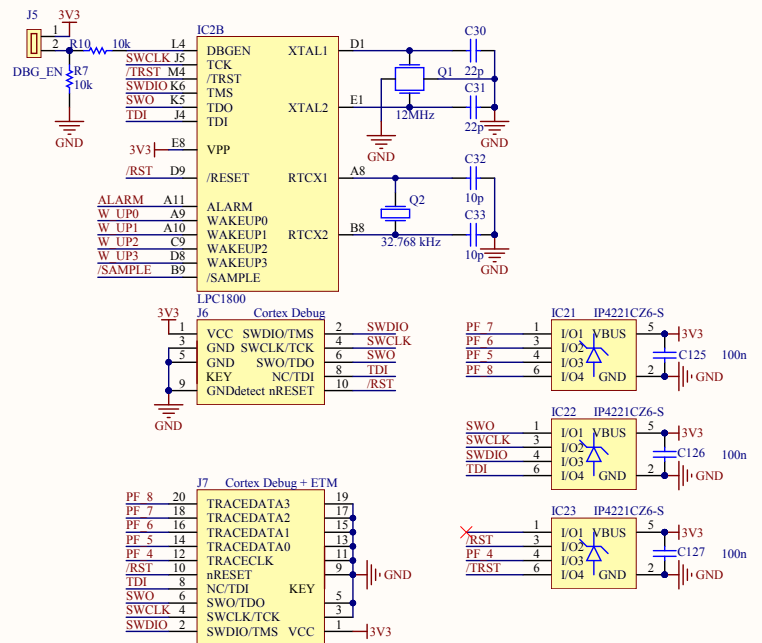
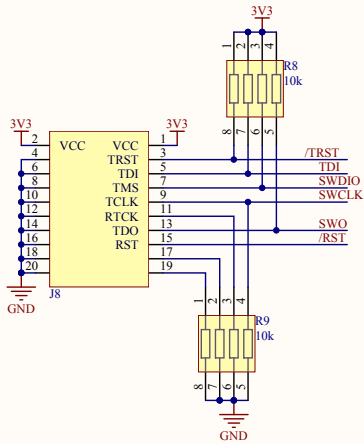
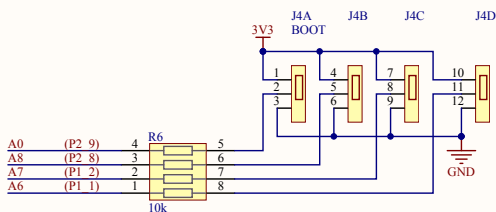


MCB1800/4300

| | |
|----------------|-------------------|
| Power.SchDoc | Revision: 1.3 |
| Size: A4 | Sheet 1 of 12 |
| Date: 4.5.2012 | Web: www.keil.com |

Cannot open file
C:\Projekti\Library\Logotipi\Keil-logo-RGBnov
i.jpg



MCB1800/4300

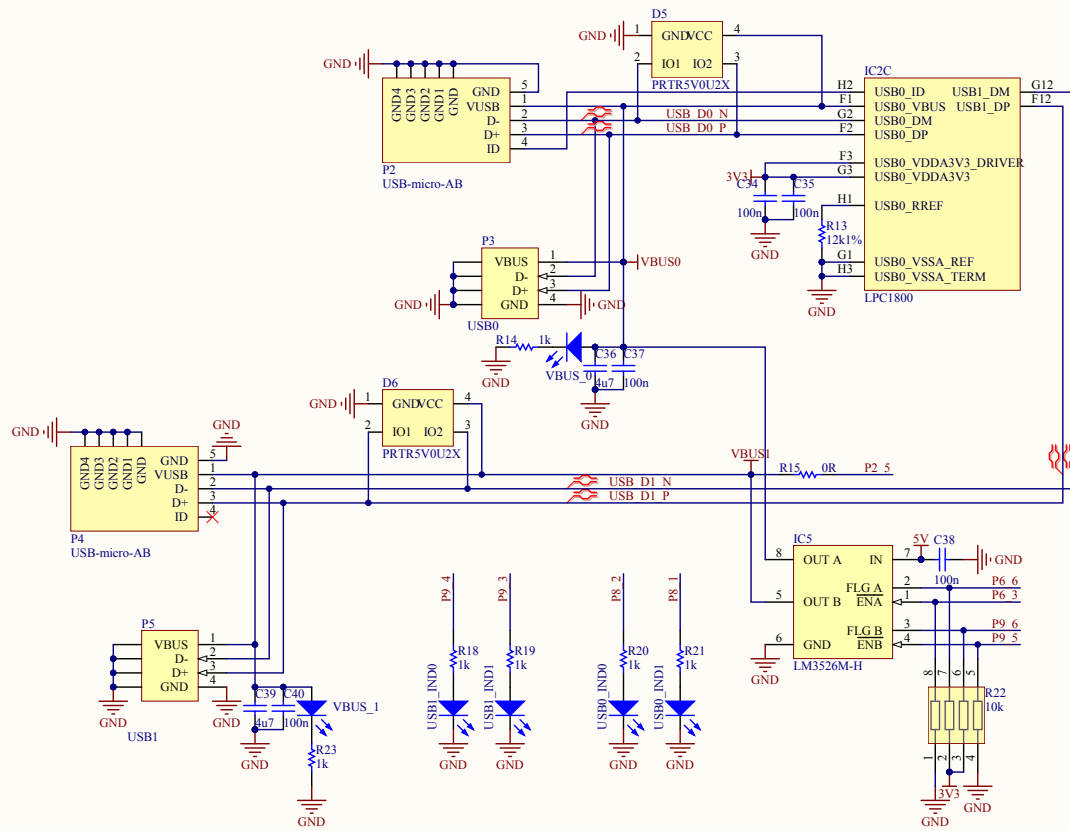
| | |
|----------------|-------------------|
| Debug_SchDoc | Revision: 1.3 |
| Size: A4 | Sheet 2 of 12 |
| Date: 4.5.2012 | Web: www.keil.com |

Cannot open file
C:\Projekt\Library\Logotipi\Keil-logo-RGBbnw
f.jpg

| | 1 | 2 | 3 | 4 |
|---|---|---|---|---|
| A | | | | |
| B | | | | |
| C | | | | |
| D | | | | |

| IC2E | | LPC1800 | | IC2D | | LPC1800 | | | | | |
|------------|-----|---------|-------|------|-----------|----------|-----|-------|-------|-----|-------|
| A5 | P2 | P1_0 | P5_0 | N3 | D12 | PA_0 | L12 | PA_0 | PD_0 | N2 | DQM2 |
| A6 | R2 | P1_1 | P5_1 | P3 | D13 | PA_1 | J14 | PA_1 | PD_1 | P1 | PD_1 |
| A7 | R3 | P1_2 | P5_2 | R4 | D14 | PA_2 | K15 | PA_2 | PD_2 | R1 | D16 |
| OE | P5 | P1_3 | P5_3 | T8 | D15 | PA_3 | H11 | PA_3 | PD_3 | P4 | D17 |
| P1_4 | T3 | P1_4 | P5_4 | P9 | D8 | A23 | G13 | PA_4 | PD_4 | T2 | D18 |
| CS0 | R5 | P1_5 | P5_5 | P10 | D9 | LCD_VD23 | B15 | PC_0 | PD_5 | P6 | D19 |
| WE | T4 | P1_6 | P5_6 | T13 | D10 | LCD_VD22 | A14 | PC_1 | PD_6 | T6 | D20 |
| D0 | T5 | P1_7 | P5_7 | R12 | D11 | LCD_VD21 | B12 | PC_2 | PD_7 | P8 | D21 |
| D1 | R7 | P1_8 | - | M12 | AUD_BCKO | LCD_VD20 | A13 | PC_3 | PD_8 | T11 | D22 |
| D2 | T7 | P1_9 | - | R15 | AUD_WSO | LCD_VD15 | B11 | PC_4 | PD_9 | P10 | PD_10 |
| D3 | R8 | P1_10 | P6_0 | L13 | AUD_DATA0 | LCD_VD14 | A12 | PC_5 | PD_11 | N9 | PD_11 |
| D4 | T9 | P1_11 | P6_1 | P15 | P6_3 | LCD_VD13 | A6 | PC_6 | PD_12 | N11 | PD_12 |
| D5 | R9 | P1_12 | P6_2 | R16 | CAS | PC_0 | D4 | PC_7 | PD_13 | T14 | PD_13 |
| D6 | R10 | P1_13 | P6_3 | P16 | RAS | PC_1 | E4 | PC_8 | PD_14 | R13 | PD_14 |
| D7 | R11 | P1_14 | P6_4 | L14 | P6_6 | PC_2 | F6 | PC_9 | PD_15 | T15 | A17 |
| P1_15 | T12 | P1_15 | P6_5 | J13 | A15 | PC_3 | F5 | PC_10 | PD_16 | R14 | A16 |
| P1_16 | M7 | P1_16 | P6_6 | H13 | A14 | PC_4 | F4 | PC_11 | PE_0 | P14 | A18 |
| P1_17 | M8 | P1_17 | P6_7 | J15 | DYCS0 | PC_5 | G4 | PC_12 | PE_1 | N14 | A19 |
| P1_18 | N12 | P1_18 | P6_8 | H15 | DQM1 | PC_6 | H6 | PC_13 | PE_2 | M12 | A20 |
| P1_19 | M11 | P1_19 | P6_9 | H12 | CKE0 | PC_7 | G5 | PC_14 | PE_3 | K13 | A21 |
| P1_20 | M10 | P1_20 | P6_10 | G15 | DQM0 | PC_8 | N4 | PC_15 | PE_4 | N16 | D24 |
| A13 | T16 | P2_0 | P6_11 | B16 | LCD_BL_EN | PC_9 | K2 | PC_16 | PE_5 | M16 | D25 |
| A12 | N15 | P2_1 | P6_12 | C14 | AUD_WSI | PC_10 | M5 | PC_17 | PE_6 | F15 | D26 |
| A11 | M15 | P2_2 | P7_0 | A16 | AUD_DATA1 | PC_11 | L5 | PC_18 | PE_7 | F14 | D27 |
| P2_3 | J12 | P2_3 | P7_1 | C13 | P7_3 | PC_12 | L6 | PC_19 | PE_8 | E16 | D28 |
| P2_4 | K11 | P2_4 | P7_2 | C8 | P7_4 | PC_13 | M1 | PC_20 | PE_9 | E14 | D29 |
| P2_5 | K14 | P2_5 | P7_3 | A7 | P7_5 | PC_14 | N1 | PC_21 | PE_10 | D16 | D30 |
| A10 | K16 | P2_6 | P7_4 | C7 | LCD_HSYNC | PF_0 | D12 | PF_1 | PE_11 | D15 | D31 |
| A9 | H14 | P2_7 | P7_5 | B6 | P7_7 | PF_1 | E11 | PF_2 | PE_12 | G14 | DQM3 |
| A8 | J16 | P2_8 | P7_6 | E5 | P8_0 | PF_2 | D11 | PF_3 | PE_13 | C15 | PE_14 |
| A0 | H16 | P2_9 | P8_0 | H5 | P8_1 | PF_3 | E10 | PF_4 | PE_14 | E13 | PE_15 |
| A1 | G16 | P2_10 | P8_1 | K4 | P8_2 | PF_4 | D10 | PF_5 | PE_15 | E3 | ADC0 |
| A3 | E15 | P2_11 | P8_2 | J3 | LCD_VD12 | PF_5 | E9 | PF_6 | ADC0 | C3 | ADC1 |
| A4 | C16 | P2_12 | P8_3 | J2 | LCD_VD7 | PF_6 | E7 | PF_7 | ADC1 | A4 | ADC2 |
| AUD_BCK1 | F13 | P2_13 | P8_4 | J1 | LCD_VD6 | PF_7 | B7 | PF_8 | ADC2 | B5 | ADC3 |
| P3_1 | G11 | P3_0 | P8_5 | K3 | LCD_VD5 | PF_8 | E6 | PF_9 | ADC3 | C6 | ADC4 |
| P3_2 | F11 | P3_1 | P8_6 | K1 | LCD_VD4 | PF_9 | D6 | PF_10 | ADC4 | B3 | ADC5 |
| SPIFI_SCK | B14 | P3_2 | P8_7 | L1 | P8_8 | PF_10 | A3 | PF_11 | ADC5 | A5 | ADC6 |
| SPIFI_IO3 | A15 | P3_3 | P8_8 | T1 | P9_0 | PF_11 | A2 | CLK0 | ADC6 | C5 | ADC7 |
| SPIFI_IO2 | C12 | P3_4 | P9_0 | N6 | P9_1 | CLK0 | N5 | CLK1 | ADC7 | L15 | SCL |
| SPIFI_IO1 | B13 | P3_5 | P9_1 | N8 | P9_2 | CLK1 | T10 | CLK2 | ADC7 | L16 | SDA |
| SPIFI_IO0 | C11 | P3_6 | P9_2 | M6 | P9_3 | CLK2 | D14 | CLK3 | | | |
| SPIFI_CS | C10 | P3_7 | P9_3 | N10 | P9_4 | CLK3 | P12 | | | | |
| P4_0 | D5 | P3_8 | P9_4 | M9 | P9_5 | | | | | | |
| LCD_VD19 | A1 | P4_0 | P9_5 | L11 | P9_6 | | | | | | |
| LCD_VD3 | D3 | P4_1 | P9_6 | | | | | | | | |
| P4_3 | C2 | P4_2 | | | | | | | | | |
| P4_4 | B1 | P4_3 | | | | | | | | | |
| LCD_VSYNC | D2 | P4_4 | | | | | | | | | |
| LCD_EN | C1 | P4_5 | | | | | | | | | |
| LCD_DOTCLK | H4 | P4_6 | | L3 | P0_0 | | | | | | |
| P4_8 | E2 | P4_7 | | M2 | P0_1 | | | | | | |
| LCD_VD11 | L2 | P4_8 | | | | | | | | | |
| LCD_VD10 | M3 | P4_9 | | | | | | | | | |
| | | P4_10 | | | | | | | | | |

| | | | |
|---------------------|-------------------|--|--|
| MCB1800/4300 | | Cannot open file C:\Projekti\Library\Logotipi\Keil-logo-RGBnvw i.jpg | |
| uC.SchDoc | Revision: 1.3 | | |
| Size: A4 | Sheet 3 of 12 | | |
| Date: 4.5.2012 | Web: www.keil.com | | |

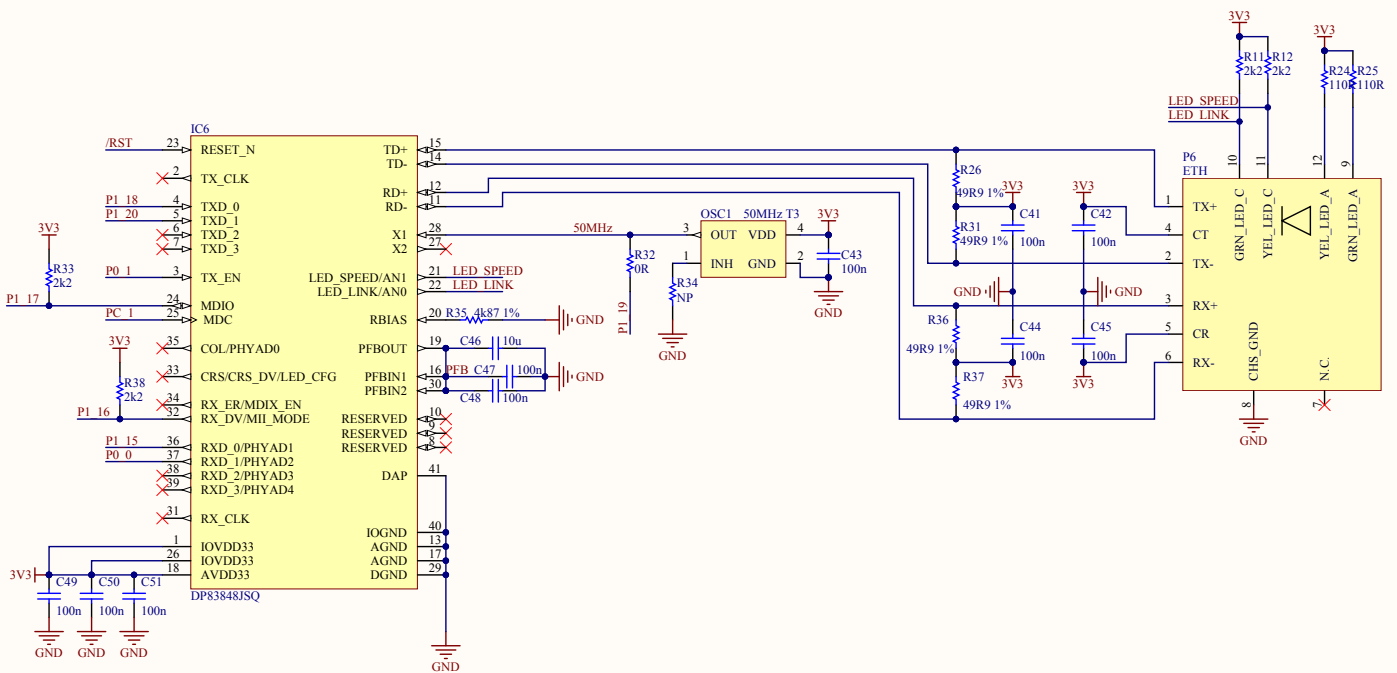


MCB1800/4300

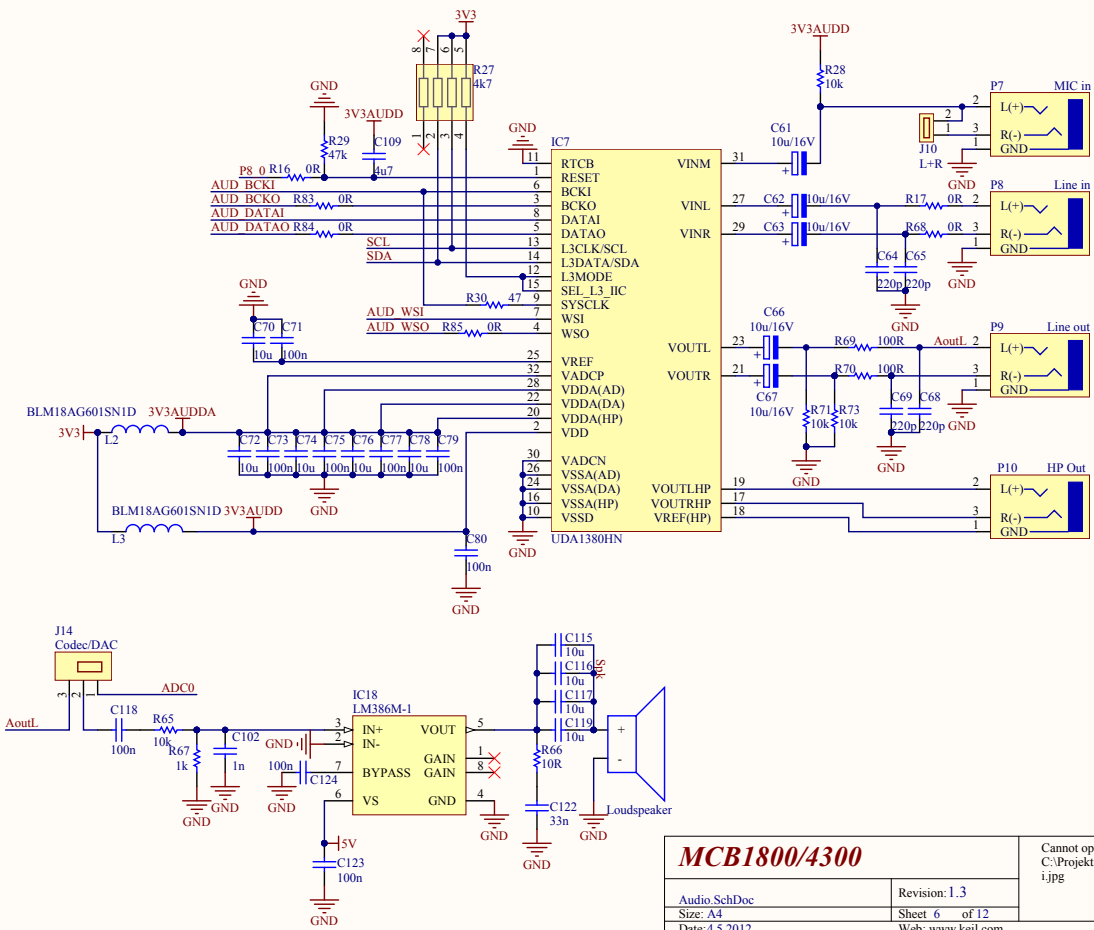
USB_SchDoc
 Size: A4
 Date: 4.5.2012

Revision: 1.3
 Sheet 4 of 12
 Web: www.keil.com

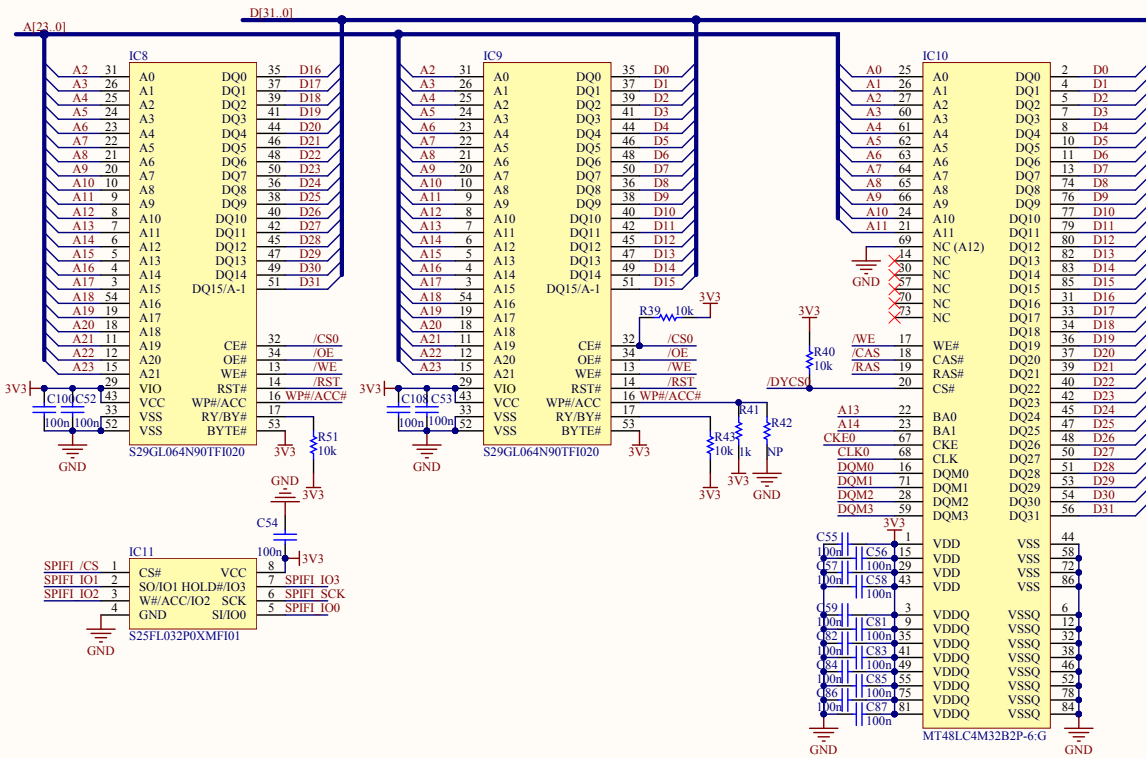
Cannot open file
 C:\Projekti\Library\Logotipi\Keil-logo-RGBnov
 i.jpg



| | | |
|---------------------|-------------------|--|
| MCB1800/4300 | | Cannot open file C:\Projekti\Library\Logotipi\Keil-logo-RGBnov i.jpg |
| Ethernet SchDoc | Revision: 1.3 | |
| Size: A4 | Sheet 5 of 12 | |
| Date: 4.5.2012 | Web: www.keil.com | |



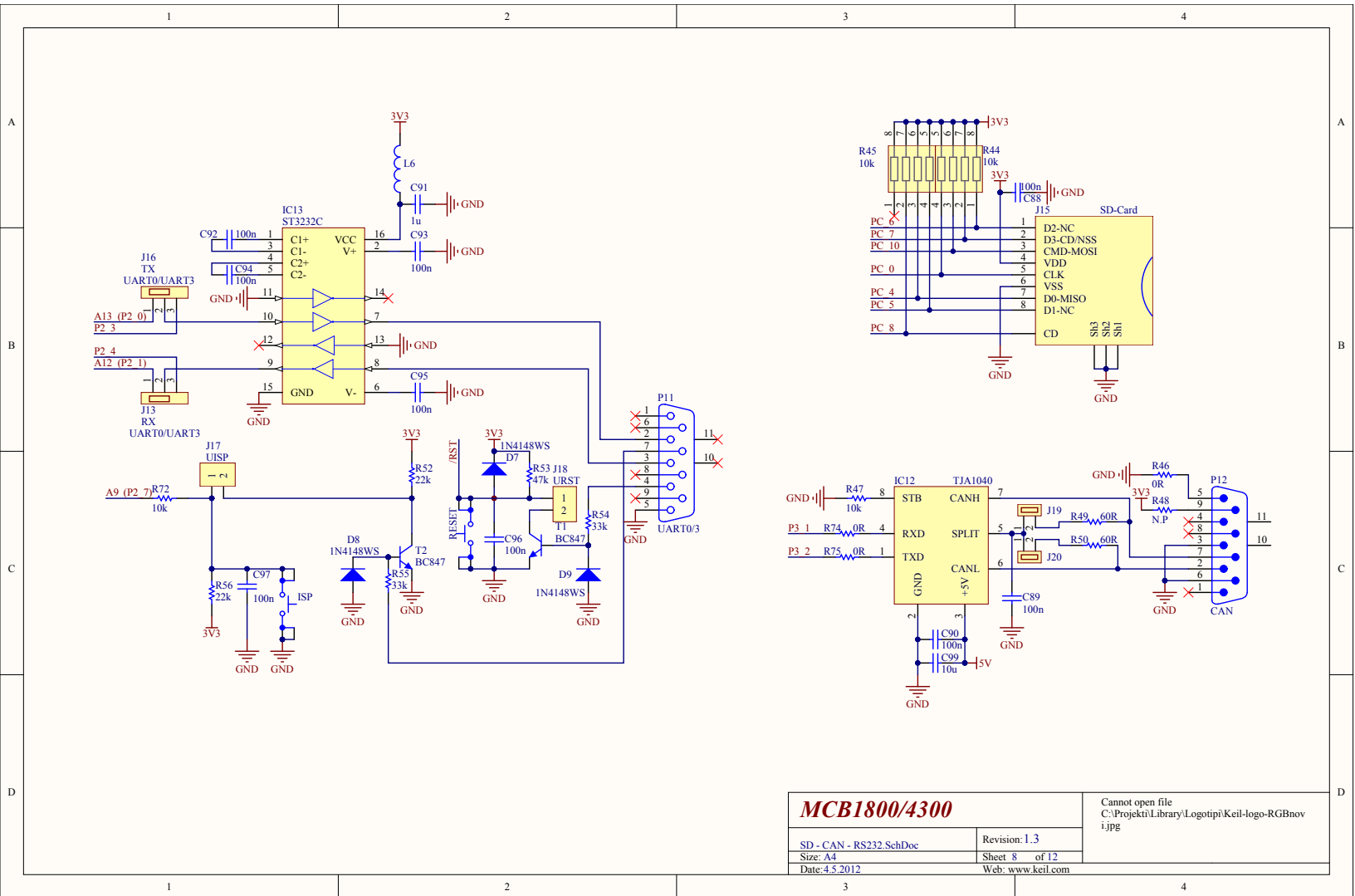
| | | |
|---------------------|-------------------|--|
| MCB1800/4300 | | Cannot open file C:\Projekti\Library\Logotipi\Keil-logo-RGBnov i.jpg |
| Audio_SchDoc | Revision: 1.3 | |
| Size: A4 | Sheet 6 of 12 | |
| Date: 4.5.2012 | Web: www.keil.com | |



MCB1800/4300

| | |
|----------------|-------------------|
| Memory SchDoc | Revision: 1.3 |
| Size: A4 | Sheet 7 of 12 |
| Date: 4.5.2012 | Web: www.keil.com |

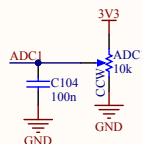
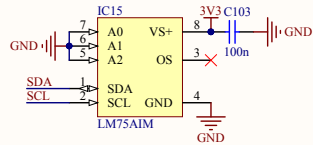
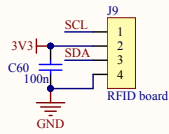
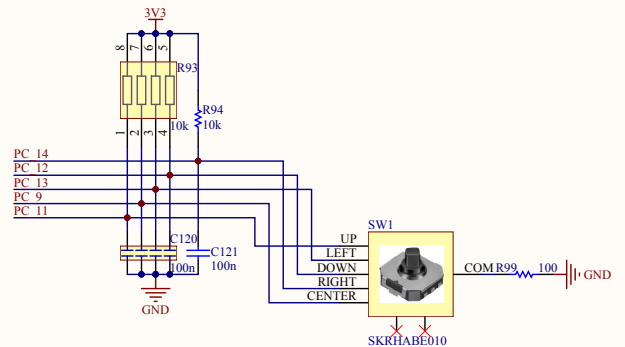
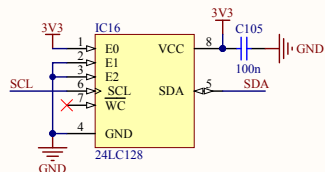
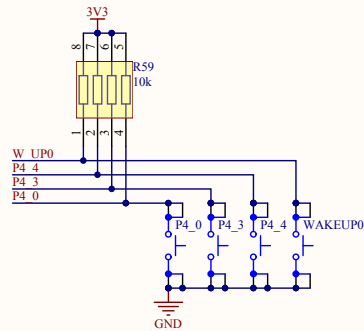
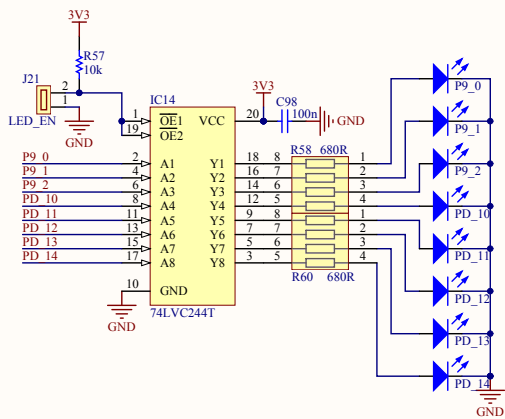
Cannot open file
C:\Projekti\Library\Logotipi\Keil-logo-RGBNov
f.jpg



MCB1800/4300

| | |
|-------------------------|-------------------|
| SD - CAN - RS232_SchDoc | Revision: 1.3 |
| Size: A4 | Sheet 8 of 12 |
| Date: 4.5.2012 | Web: www.keil.com |

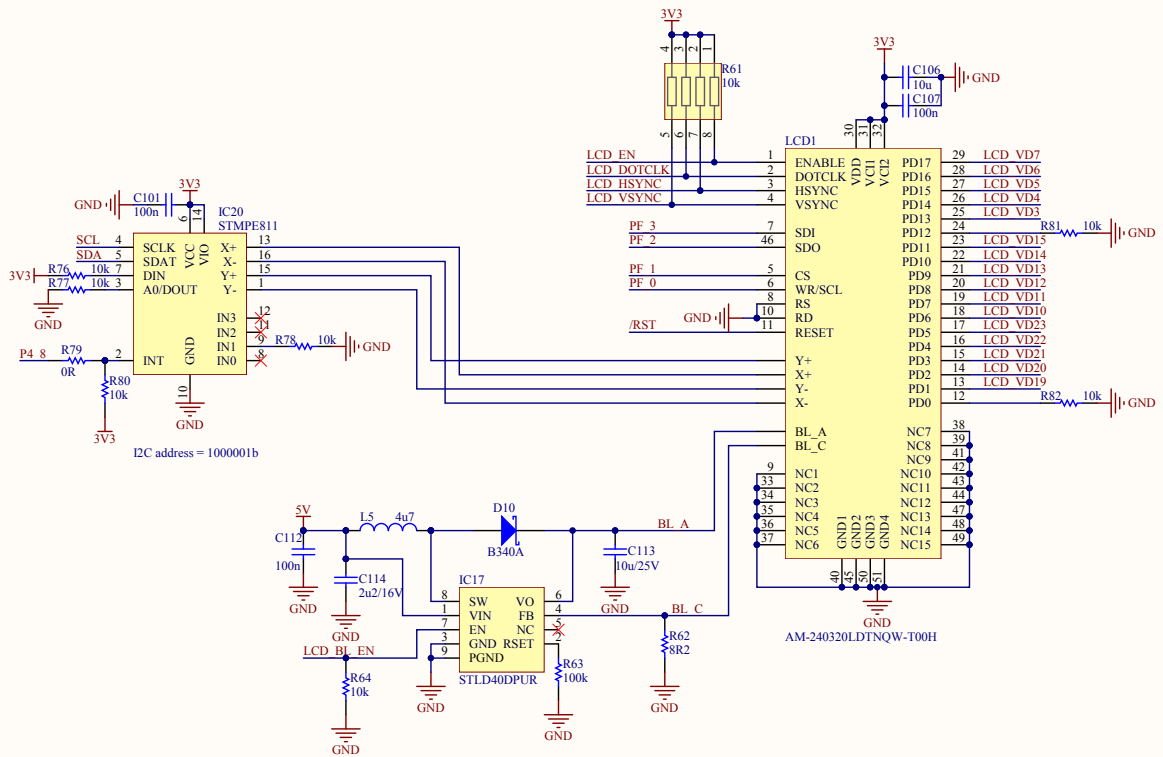
Cannot open file
 C:\Projekt\Library\Logotipi\Keil-logo-RGBnov
 i.jpg



MCB1800/4300

| | |
|---------------------------|-------------------|
| LED - SWITCH -TEMP_SchDoc | Revision: 1.3 |
| Size: A4 | Sheet 9 of 12 |
| Date: 4.5.2012 | Web: www.keil.com |

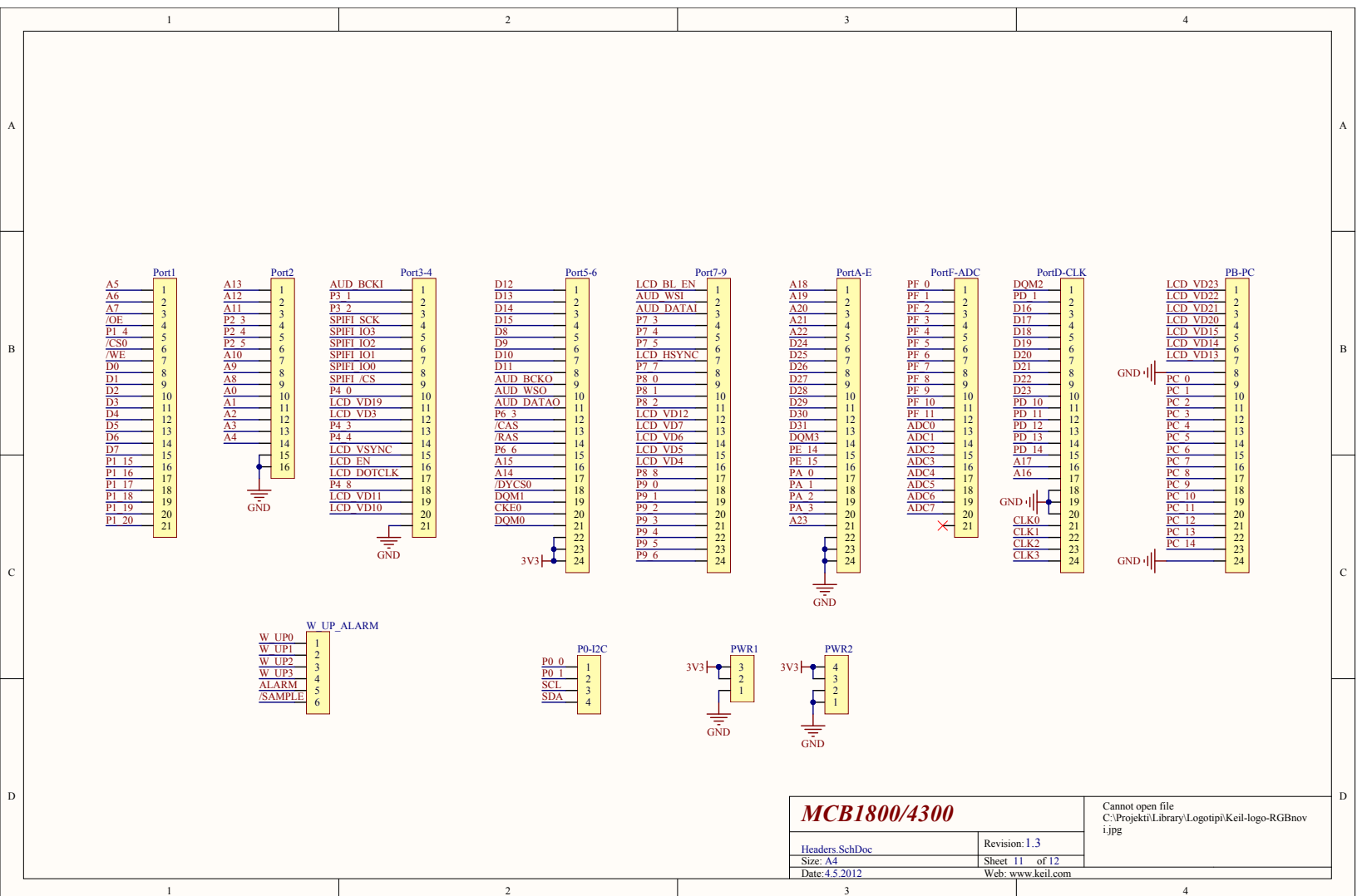
Cannot open file
C:\Projekti\Library\Logotipi\Keil-logo-RGBbnov
ijpg



MCB1800/4300

| | |
|----------------|-------------------|
| LCD SchDoc | Revision: 1.3 |
| Size: A4 | Sheet 10 of 12 |
| Date: 4.5.2012 | Web: www.keil.com |

Cannot open file
C:\Projekti\Library\Logotipi\Keil-logo-RGBnov
f.jpg



MCB1800/4300

| | |
|----------------|-------------------|
| Headers.SchDoc | Revision: 1.3 |
| Size: A4 | Sheet 11 of 12 |
| Date: 4.5.2012 | Web: www.keil.com |

Cannot open file
 C:\Projekti\Library\Logotipi\Keil-logo-RGBnov
 i.jpg