

USB UART™

Manual

All Mikroelektronika's development systems feature a large number of peripheral modules expanding microcontroller's range of application and making the process of program testing easier. In addition to these modules, it is also possible to use numerous additional modules linked to the development system through the I/O port connectors. Some of these additional modules can operate as stand-alone devices without being connected to the microcontroller.

Additional Board

 **MikroElektronika**

SOFTWARE AND HARDWARE SOLUTIONS FOR EMBEDDED WORLD ...making it simple

USB UART

The USB UART additional board is used to connect USB devices to the UART module built into the microcontroller.

Key features:

- Serial data transfer via UART communication;
- 5V DC power supply voltage;
- Low power consumption; etc.

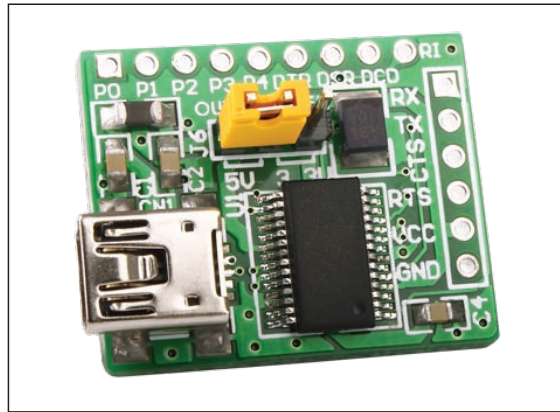


Figure 1: USB UART additional board

How to connect the board?

The USB UART additional board is connected to USB devices via the USB MINIB connector CN1. Connection with the microcontroller is established via a 1x6 connector CN2 and 1x9 connector CN3. Jumper J6 is used to select a logic level to be sent to the VCCIO pin on 1x6 connector CN2. This logic level may be 3.3V or 5V.

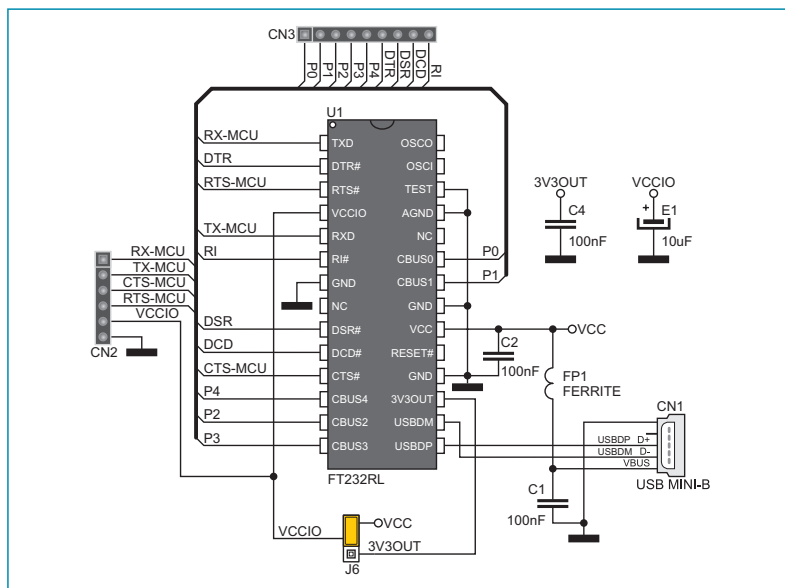


Figure 3: USB UART additional board connection schematic

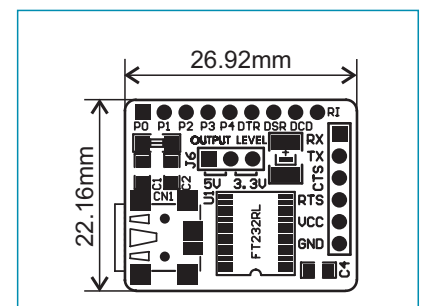


Figure 4: Dimensions of the board



MikroElektronika

SOFTWARE AND HARDWARE SOLUTIONS FOR EMBEDDED WORLD ...*making it simple*

If you want to learn more about our products, please visit our website at www.mikroe.com

If you are experiencing some problems with any of our products or just need additional information, please place your ticket at www.mikroe.com/en/support

If you have any questions, comments or business proposals, do not hesitate to contact us at office@mikroe.com