

mikroETH™

Manual

All Mikroelektronika's development systems feature a large number of peripheral modules expanding microcontroller's range of application and making the process of program testing easier. In addition to these modules, it is also possible to use numerous additional modules linked to the development system through the I/O port connectors. Some of these additional modules can operate as stand-alone devices without being connected to the microcontroller.

Additional Board

 **MikroElektronika**

SOFTWARE AND HARDWARE SOLUTIONS FOR EMBEDDED WORLD ...making it simple

mikroETH Additional Board

The *mikroETH* additional board is used to connect a microcontroller to Ethernet network. *mikroETH* is connected to the development system via a proto board, but it can also be directly connected to the microcontroller provided in some device. The *mikroETH* board features three connectors. Two male 1x5 connectors are used for connection with the proto board or a device, while the RJ45 connector is used for connection with Ethernet network.

Communication between the microcontroller and Ethernet network is established via the ENC28J60 ethernet controller provided on the *mikroETH* board. This controller enables data to be transferred from Ethernet network to the microcontroller and vice versa using serial SPI communication. In Figure 4, the *mikroETH* board is connected to the microcontroller via the SPI communication module built into the microcontroller.

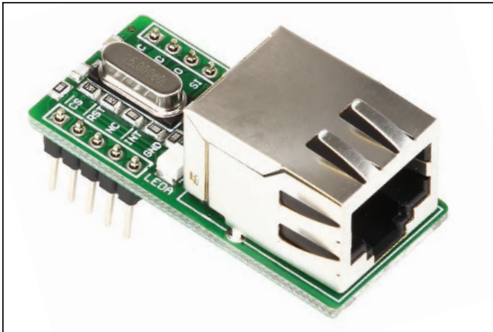


Figure 1: *mikroETH* additional board

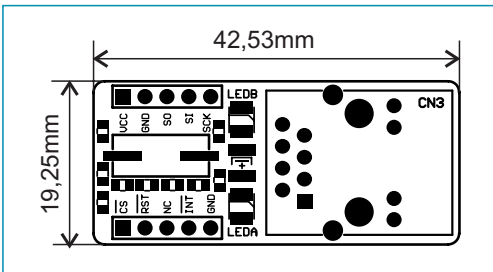


Figure 2: *mikroETH* board's dimensions



Figure 3: *mikroETH* connected to a ethernet cable

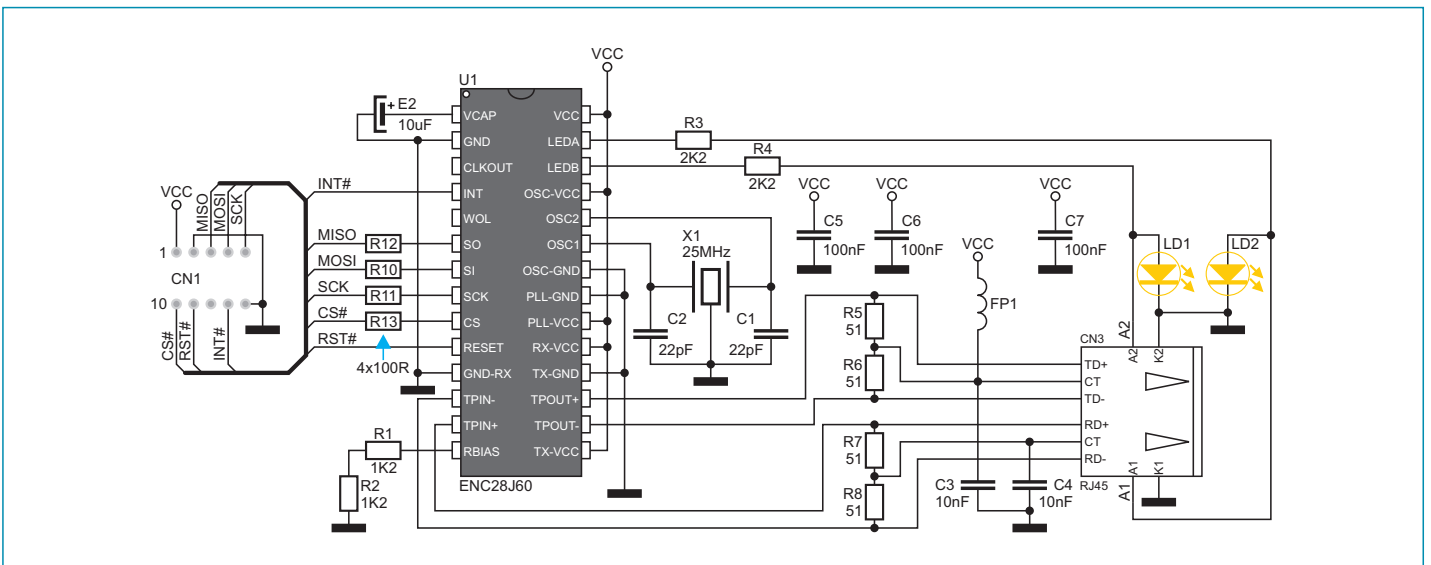


Figure 4: Additional board *mikroETH* connection schematic



MikroElektronika

SOFTWARE AND HARDWARE SOLUTIONS FOR EMBEDDED WORLD ...*making it simple*

If you want to learn more about our products, please visit our website at www.mikroe.com

If you are experiencing some problems with any of our products or just need additional information, please place your ticket at www.mikroe.com/en/support

If you have any questions, comments or business proposals, do not hesitate to contact us at office@mikroe.com