

CMR2U-01 CMR2U-06
 CMR2U-02 CMR2U-08
 CMR2U-04 CMR2U-10

**SURFACE MOUNT ULTRA FAST
 RECOVERY SILICON RECTIFIER
 2 AMP, 100 THRU 1000 VOLTS**



SMB CASE



www.centrasemi.com

DESCRIPTION:

The CENTRAL SEMICONDUCTOR CMR2U-01 Series 2.0 Amp Surface Mount Silicon Ultra Fast Recovery Rectifier is a high quality, well constructed, highly reliable component designed for use in all types of commercial, industrial, entertainment, computer, and automotive applications. To order devices on 12mm Tape and Reel (3000/13" Reel), add TR13 suffix to part number.

MARKING CODE: SEE MARKING CODE TABLE ON FOLLOWING PAGE

FEATURES:

- Low cost
- Special selections available
- High reliability
- Superior lot to lot consistency
- Glass passivated chip
- "C" bend construction provides strain relief when mounted on pc board

MAXIMUM RATINGS: (T_A=25°C unless otherwise noted)

		CMR2U <u>-01</u>	CMR2U <u>-02</u>	CMR2U <u>-04</u>	CMR2U <u>-06</u>	CMR2U <u>-08</u>	CMR2U <u>-10</u>	UNITS
Peak Repetitive Reverse Voltage	V _R RRM	100	200	400	600	800	1000	V
DC Blocking Voltage	V _R	100	200	400	600	800	1000	V
RMS Reverse Voltage	V _R (RMS)	70	140	280	420	560	700	V
Average Forward Current (T _L =90°C)	I _O			2.0				A
Peak Forward Surge Current, tp=8.3ms	I _{FSM}			50				A
Operating and Storage Junction Temperature	T _J , T _{stg}			-65 to +150				°C
Thermal Resistance	θ _{JL}			20				°C/W

ELECTRICAL CHARACTERISTICS: (T_A=25°C unless otherwise noted)

SYMBOL	TEST CONDITIONS	TYP	MAX	UNITS
I _R	V _R =Rated V _R RRM		10	μA
I _R	V _R =Rated V _R RRM, T _A =100°C		200	μA
V _F	I _F =2.0A, (CMR2U-01, -02)		1.0	V
V _F	I _F =2.0A, (CMR2U-04)		1.4	V
V _F	I _F =2.0A, (CMR2U-06, -08, -10)		1.7	V
t _{rr}	I _F =0.5A, I _R =1.0A, I _{rr} =0.25A (CMR2U-01, -02, -04)		50	ns
t _{rr}	I _F =0.5A, I _R =1.0A, I _{rr} =0.25A 0.25A (CMR2U-06, -08, -10)		100	ns
C _J	V _R =4.0V, f=1.0MHz	28		pF

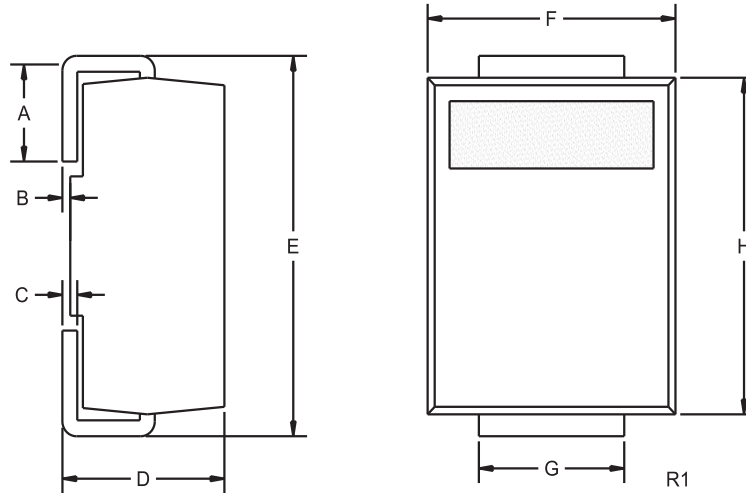
R4 (21-October 2010)

CMR2U-01 CMR2U-06
 CMR2U-02 CMR2U-08
 CMR2U-04 CMR2U-10



**SURFACE MOUNT ULTRA FAST
 RECOVERY SILICON RECTIFIER
 2 AMP, 100 THRU 1000 VOLTS**

SMB CASE - MECHANICAL OUTLINE



DEVICE	MARKING CODE
CMR2U-01	CU201
CMR2U-02	CU202
CMR2U-04	CU204
CMR2U-06	CU206
CMR2U-08	CU208
CMR2U-10	CU210

SYMBOL	DIMENSIONS			
	INCHES		MILLIMETERS	
	MIN	MAX	MIN	MAX
A	0.030	0.060	0.76	1.52
B	0.004	0.008	0.10	0.20
C	0.006	0.012	0.15	0.30
D	0.086	0.096	2.18	2.44
E	0.200	0.220	5.08	5.59
F	0.130	0.150	3.30	3.81
G	0.077	0.083	1.96	2.11
H	0.160	0.180	4.06	4.57

SMB (REV: R1)

R4 (21-October 2010)

www.centalsemi.com