

# MCU Cards

for **BIGAVR6™** development system

Manual

*All Mikroelektronika's development systems feature a large number of peripheral modules expanding microcontroller's range of application and making the process of program testing easier. In addition to these modules, it is also possible to use numerous additional modules linked to the development system through the I/O port connectors. Some of these additional modules can operate as stand-alone devices without being connected to the microcontroller.*

Additional Board

 **MikroElektronika**

SOFTWARE AND HARDWARE SOLUTIONS FOR EMBEDDED WORLD ...making it simple

## MCU Cards for BIGAVR6 Development System

The BIGAVR6 development system is supported by empty 64- and 100-pin MCU cards. Schematics provided herein show these MCU cards with soldered microcontrollers. Instead of microcontrollers used in these examples, you can choose and solder another ones. Prior to soldering, check which microcontrollers can be placed on the respective MCU card just to be sure that they are compatible. MCU cards are also provided with pads that enables you to access microcontroller pins when the MCU card is not connected to the development system.

Supported microcontrollers::

64-pin MCU cards support the following microcontrollers: ATmega32U6, AT90USB64 and AT90USB128

64- and 100-pin MCU cards (*MCU Card 1*) support the following microcontrollers: AT90CAN32, AT90CAN64, AT90CAN128, ATmega64, ATmega103, ATmega128, ATmega165, ATmega169, ATmega325, ATmega645, ATmega3250 and ATmega6450.

64- and 100-pin MCU cards (*MCU Card 2*) support the following microcontrollers: ATmega1281, ATmega2561, ATmega640, ATmega1280 and ATmega2560.

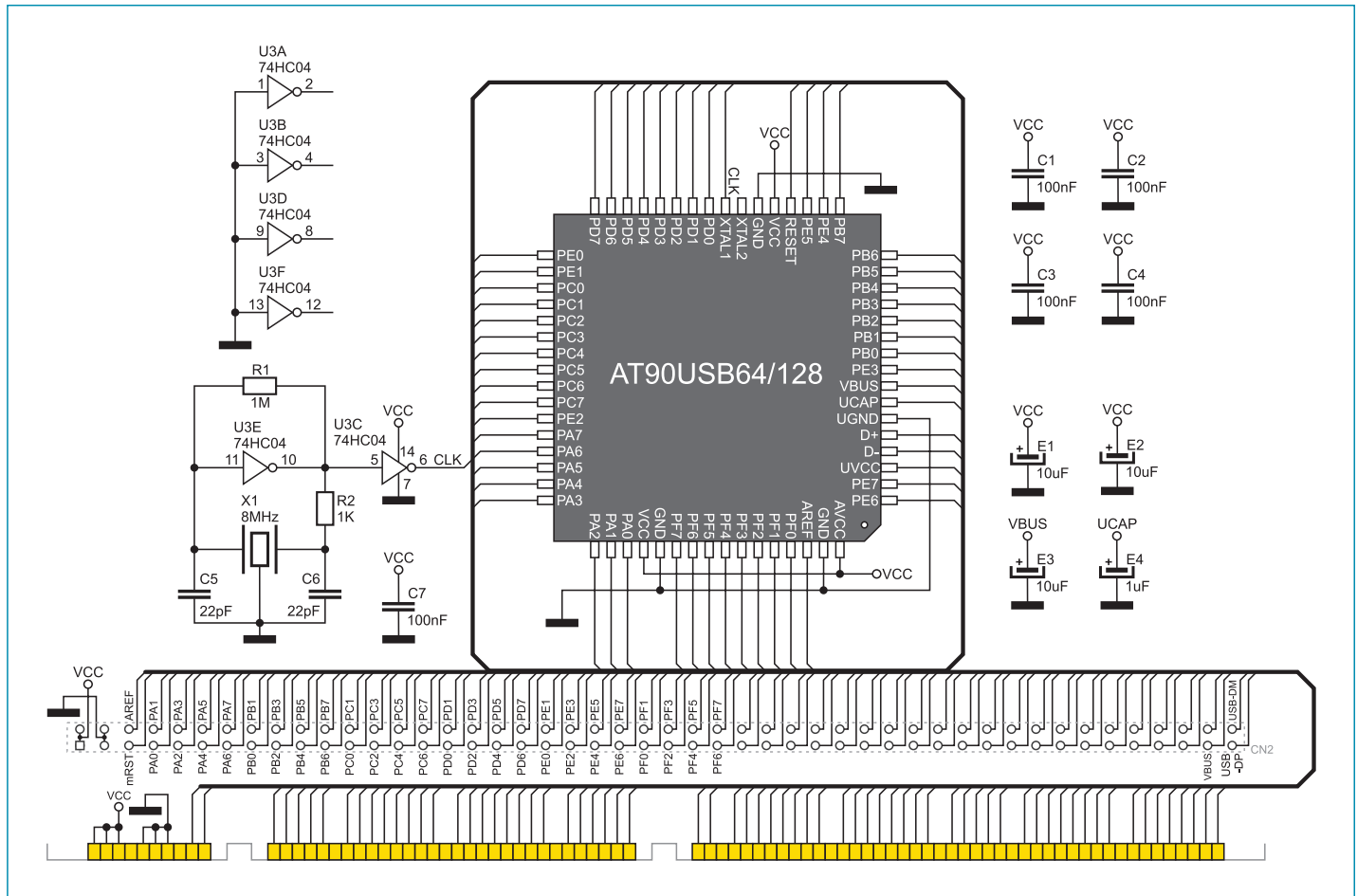


Figure 1: 64-pin MCU card and microcontroller connection schematic

**NOTE:** Only one microcontroller may be soldered on the MCU card at the same time.

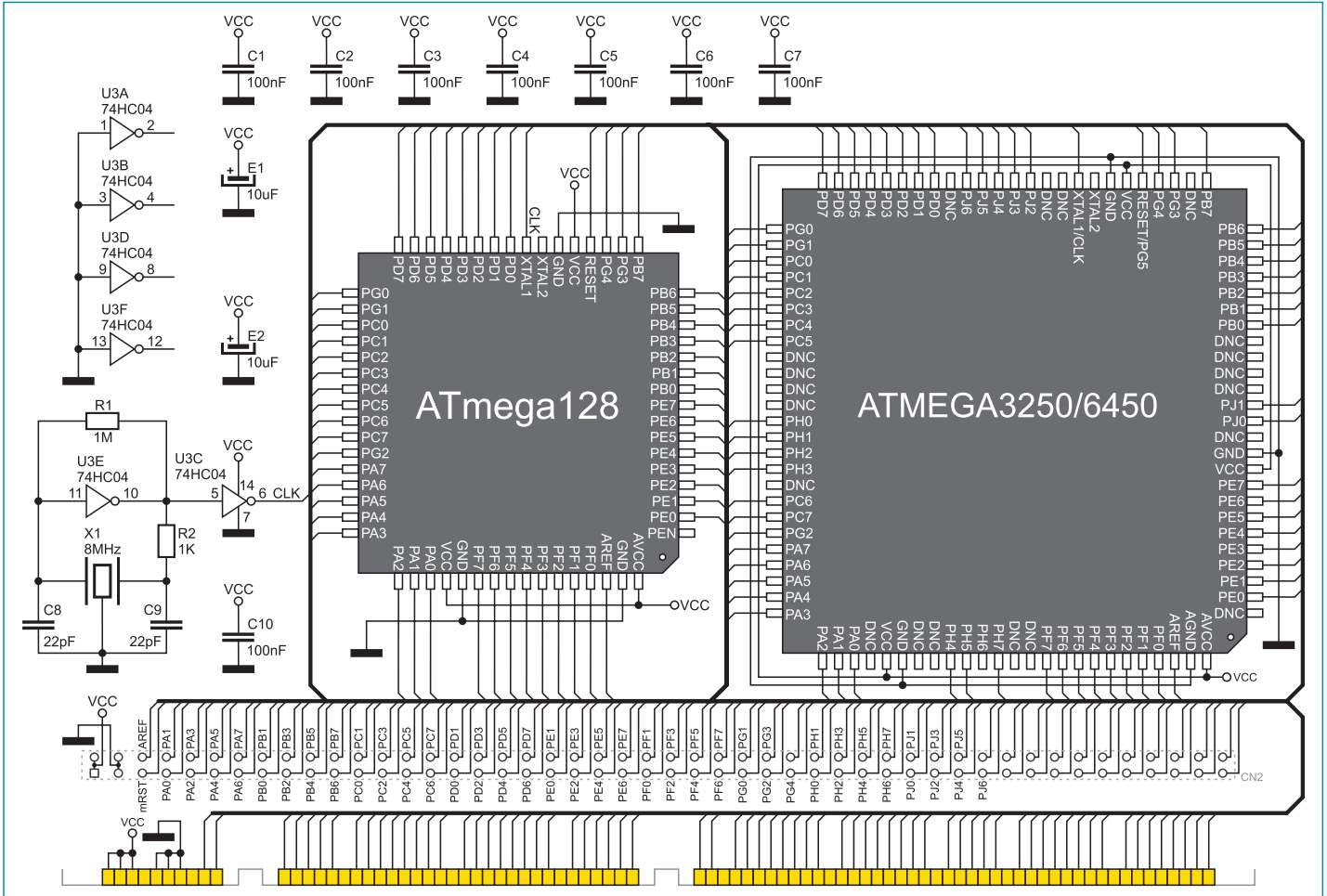


Figure 2: 64/100-pin MCU card *MCU Card 1* and microcontroller connection schematic

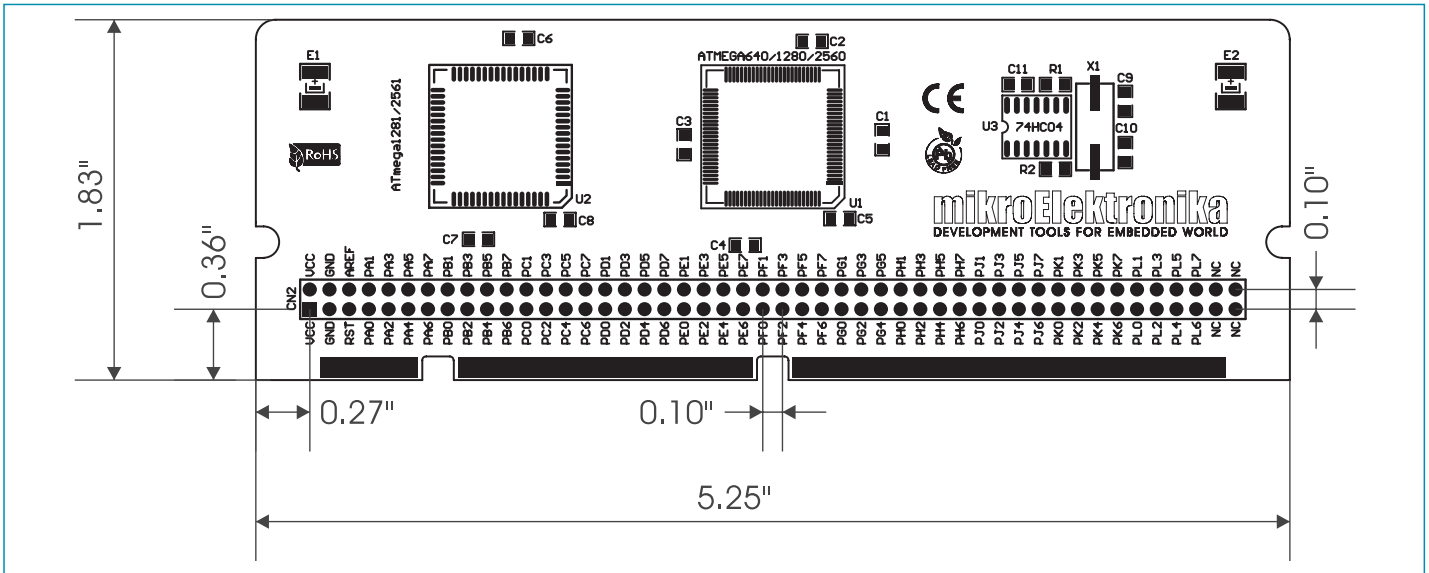


Figure 3: Dimensions of MCU card for *BIGAV6*

**NOTE:** Dimensions of all MCU cards are the same.

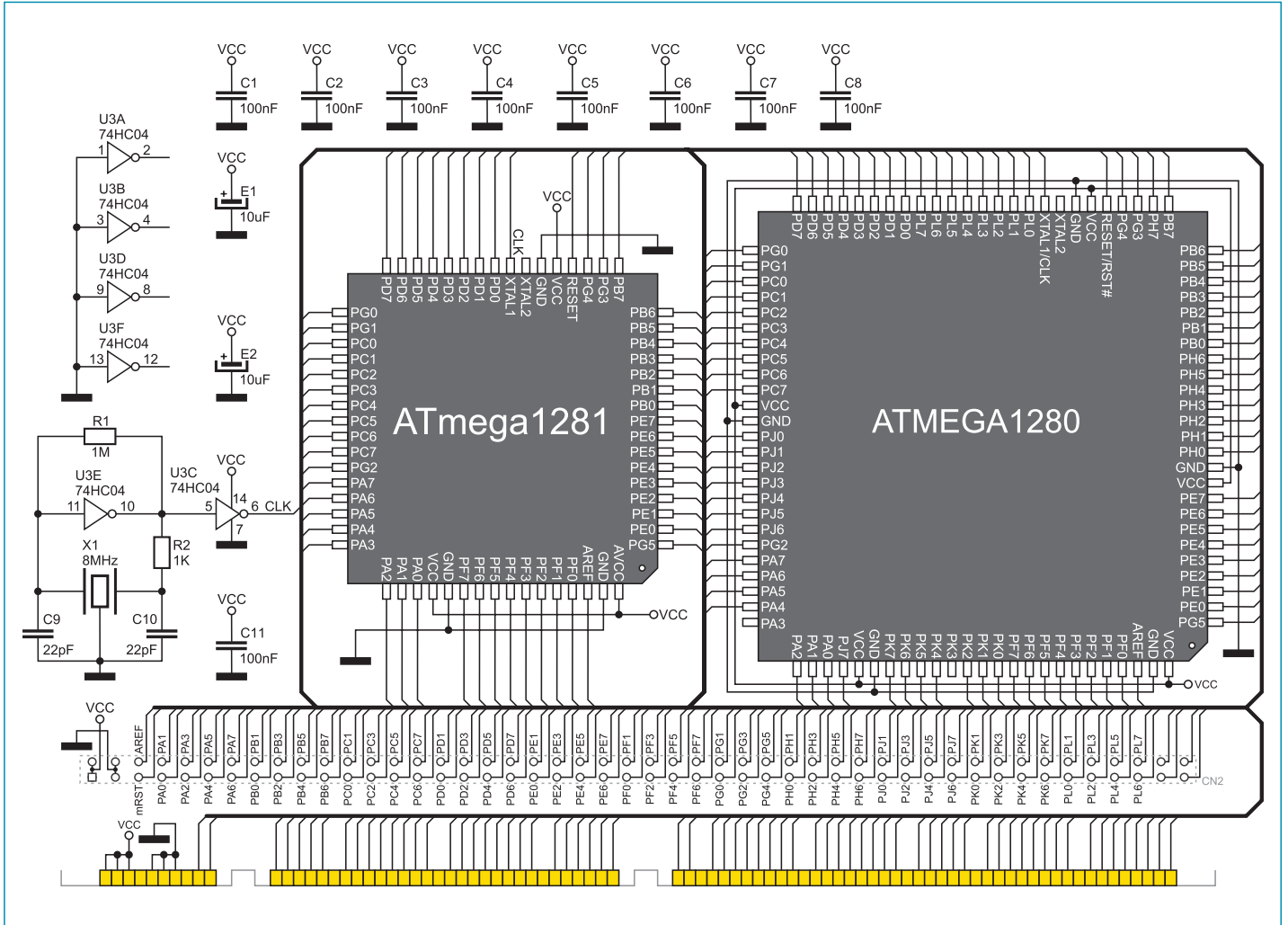


Figure 4: 64/100-pin MCU card MCU Card 2 and microcontroller connection schematic

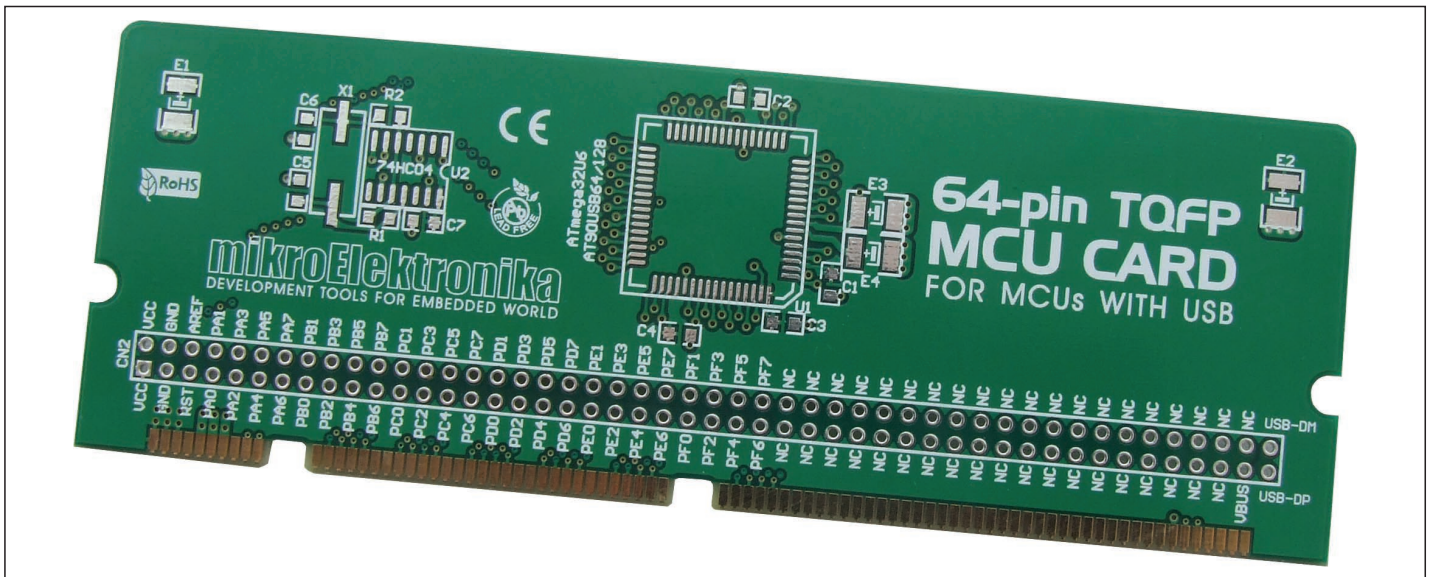


Figure 5: Empty 64-pin MCU card

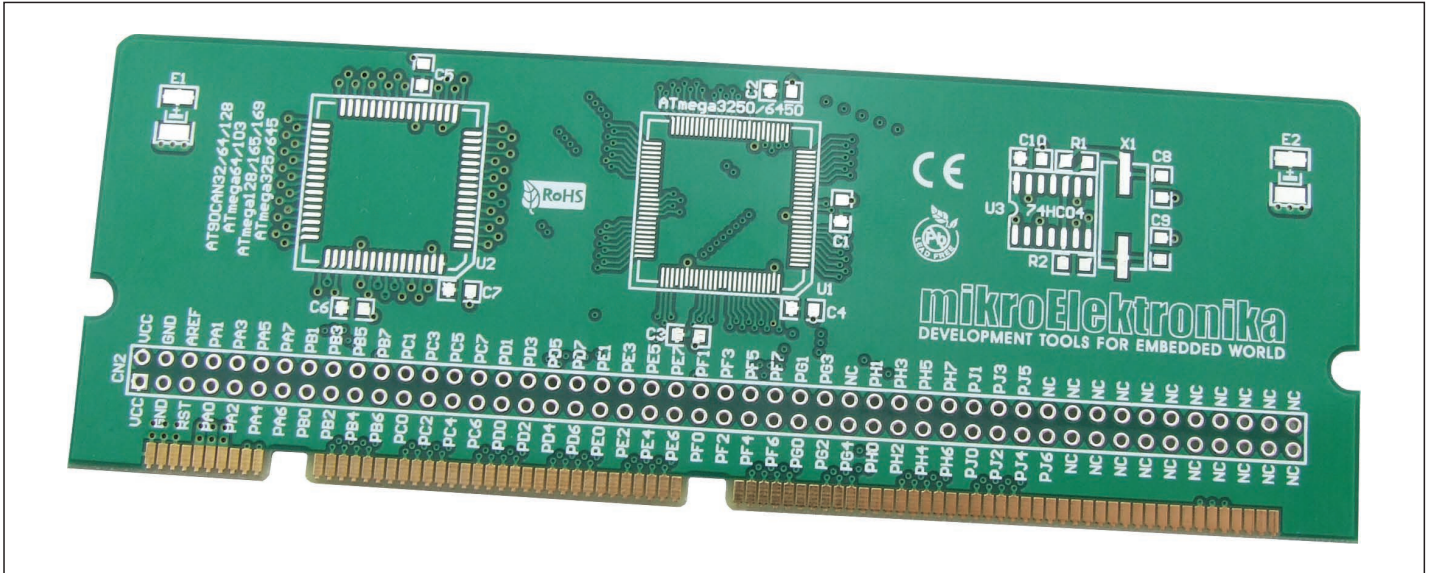


Figure 6: Empty 64/100 pin MCU card MCU Card 1

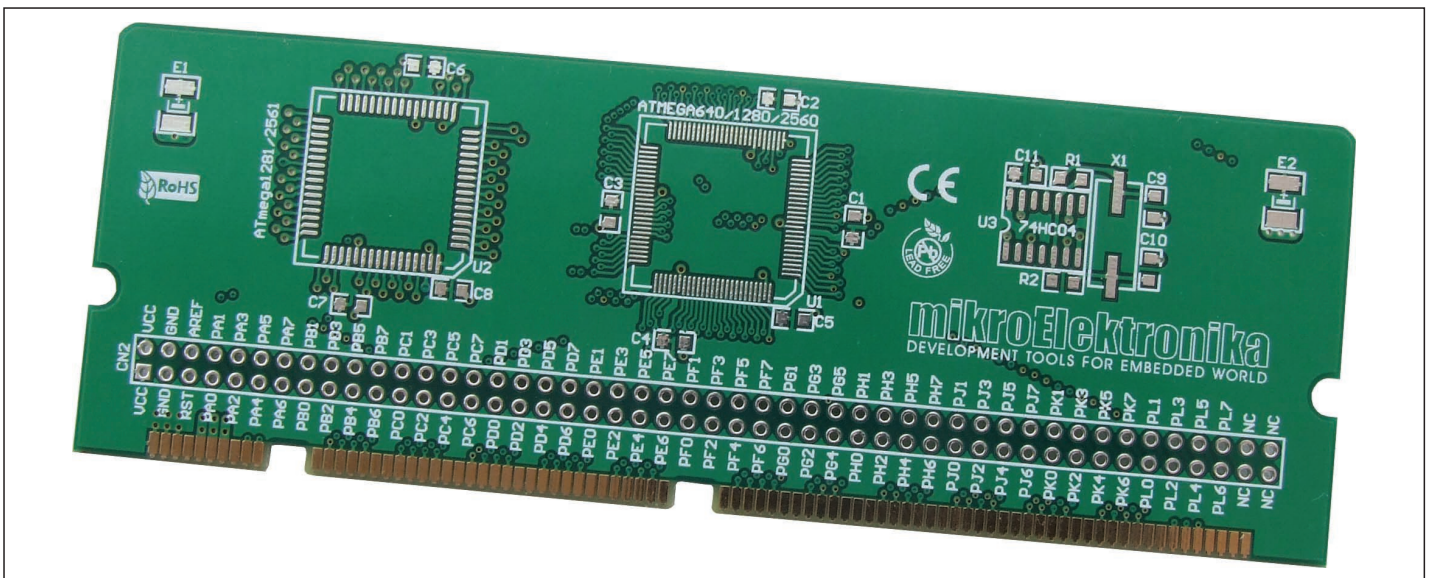


Figure 7: Empty 64/100 pin MCU card MCU Card 2



**MikroElektronika**

SOFTWARE AND HARDWARE SOLUTIONS FOR EMBEDDED WORLD ...*making it simple*

If you want to learn more about our products, please visit our website at [www.mikroe.com](http://www.mikroe.com)

If you are experiencing some problems with any of our products or just need additional information, please place your ticket at [www.mikroe.com/en/support](http://www.mikroe.com/en/support)

If you have any questions, comments or business proposals, do not hesitate to contact us at [office@mikroe.com](mailto:office@mikroe.com)