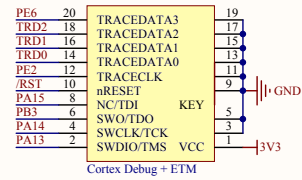
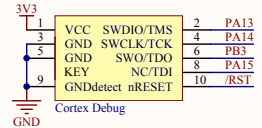
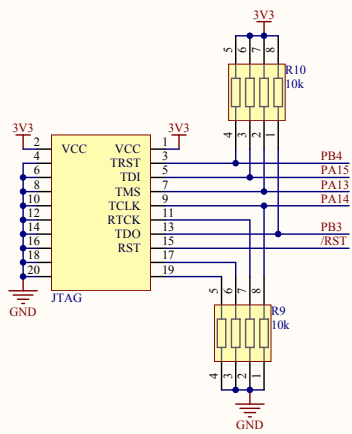


**MCBSTM32F200/F400**

Power.SchDoc	Revision: 1.1
Size: A4	Sheet 1 of 12
Date: 9/14/2011	Web: www.keil.com

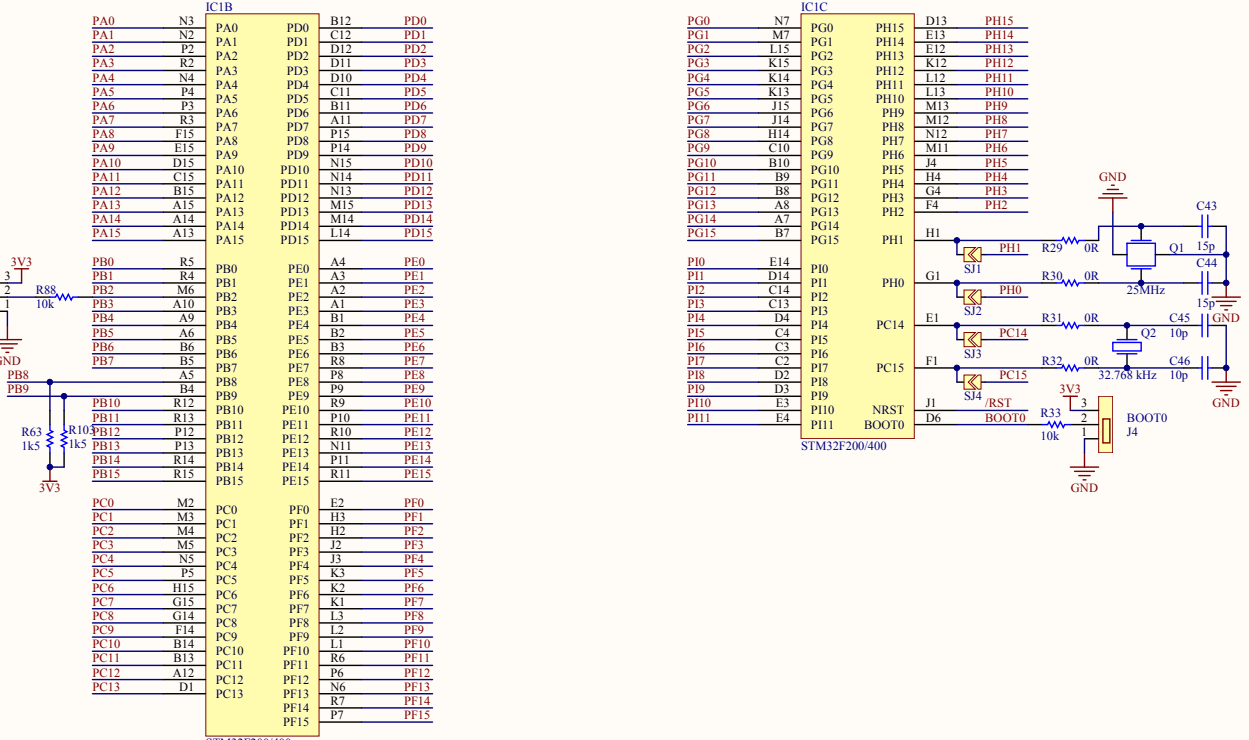




**MCBSTM32F200/F400**

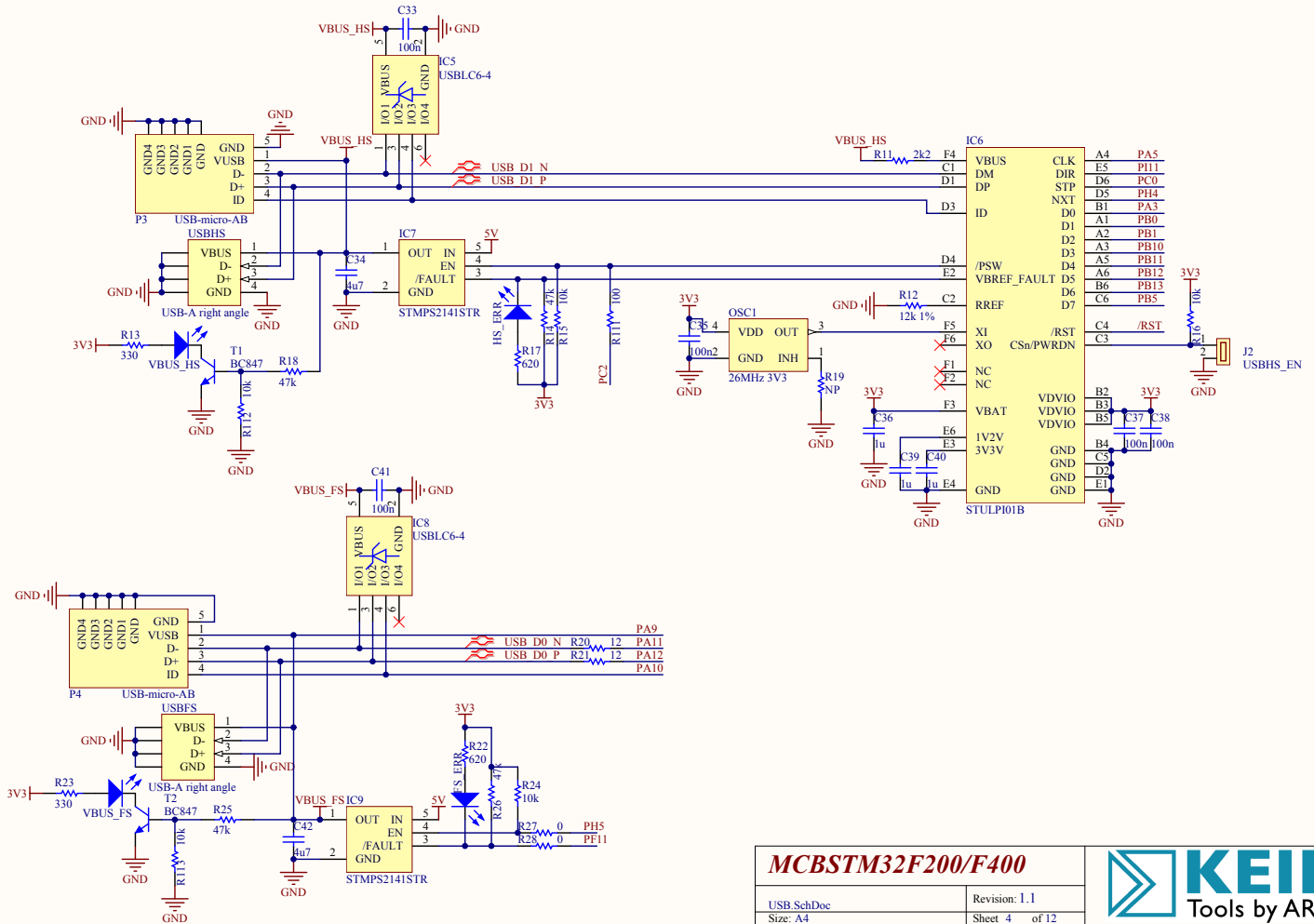
Debug_SchDoc	Revision: 1.1
Size: A4	Sheet 2 of 12
Date: 9/14/2011	Web: www.keil.com





**MCBSTM32F200/F400**

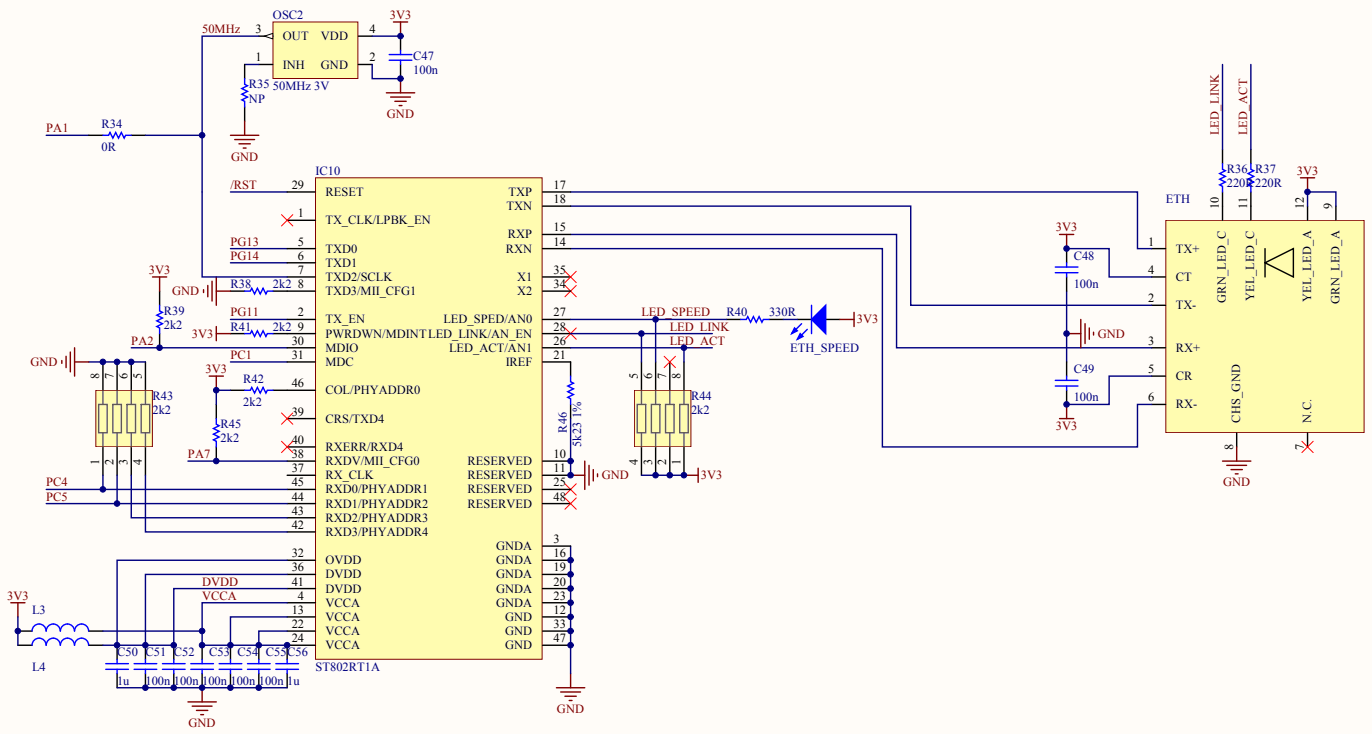
uC: SchDoc	Revision: 1.1
Size: A4	Sheet 3 of 12
Date: 9/14/2011	Web: www.keil.com



**MCBSTM32F200/F400**

USB_SchDoc	Revision: 1.1
Size: A4	Sheet 4 of 12
Date: 9/14/2011	Web: www.keil.com



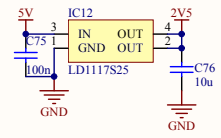
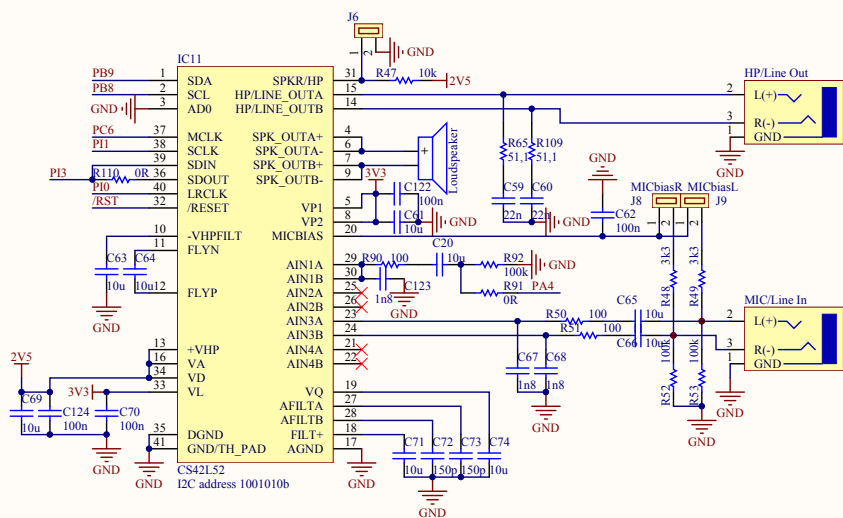
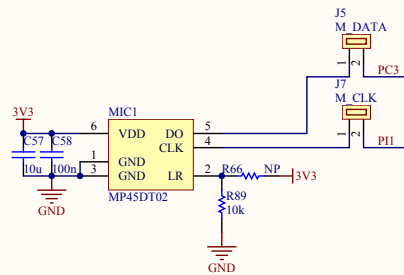


**MCBSTM32F200/F400**

Ethernet SchDoc	Revision: 1.1
Size: A4	Sheet 5 of 12
Date: 9/14/2011	Web: www.keil.com



1 2 3 4



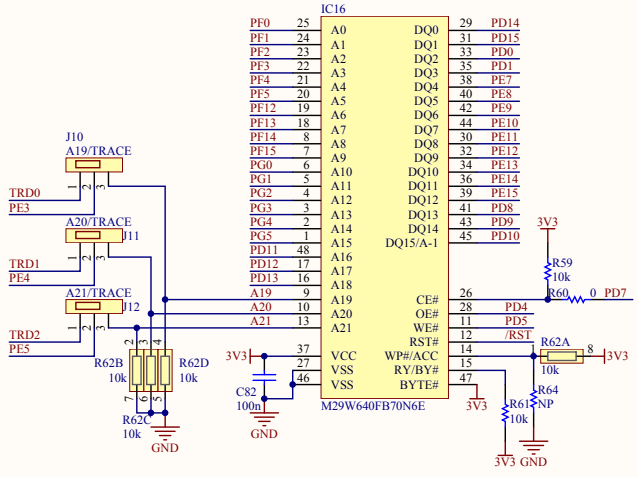
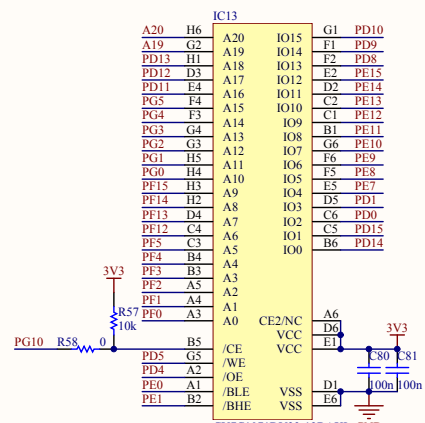
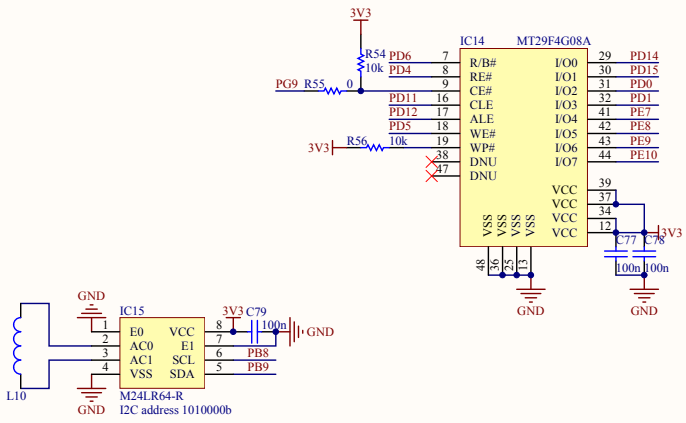
**MCBSTM32F200/F400**

Audio\_SchDoc  
 Size: A4  
 Date: 9/14/2011

Revision: 1.1  
 Sheet 6 of 12  
 Web: www.keil.com



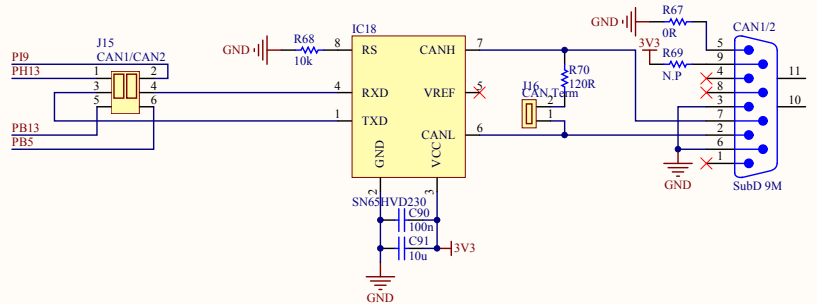
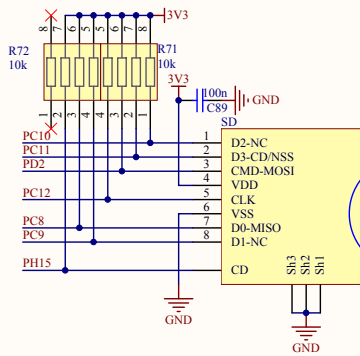
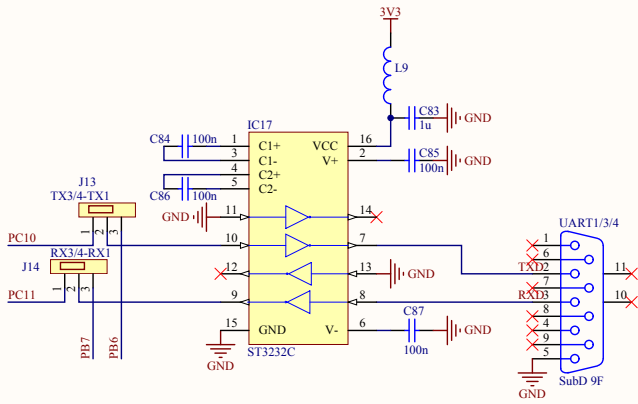
1 2 3 4



**MCBSTM32F200/F400**

Memory SchDoc	Revision: 1.1
Size: A4	Sheet 7 of 12
Date: 9/14/2011	Web: www.keil.com





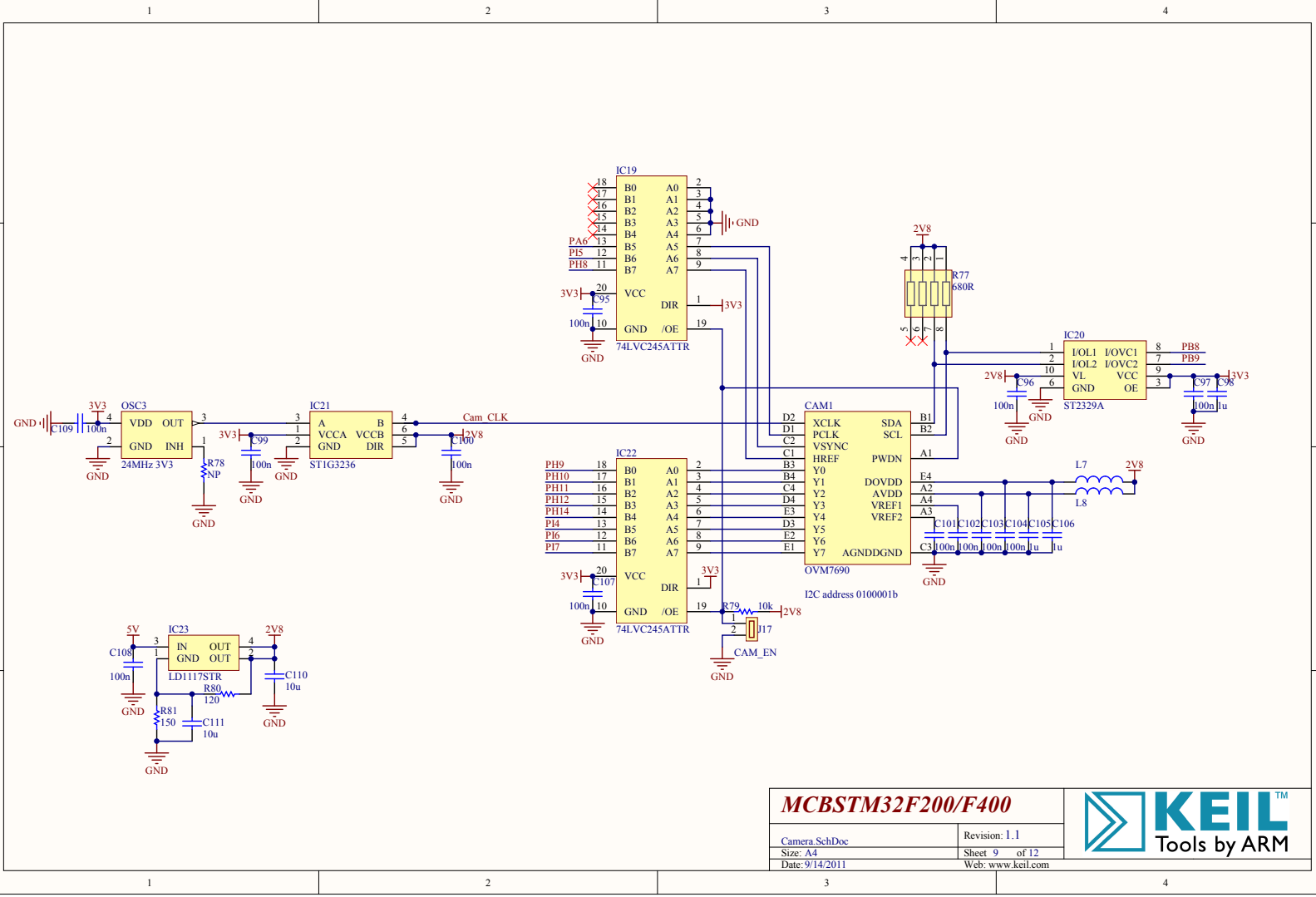
### MCBSTM32F200/F400

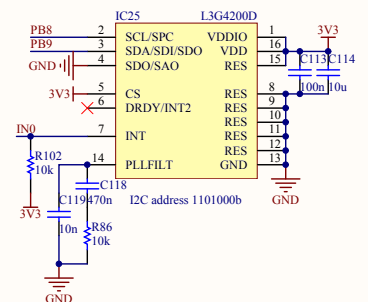
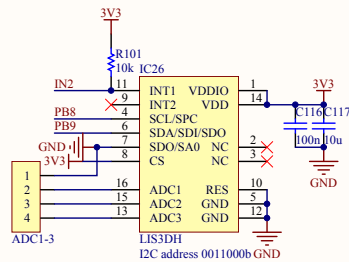
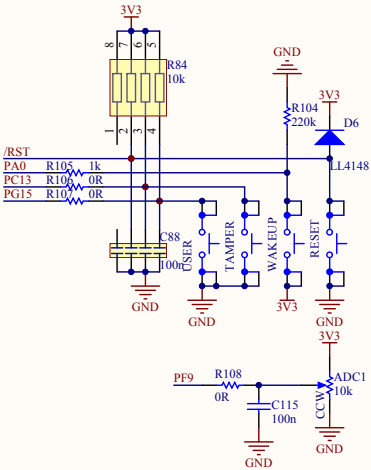
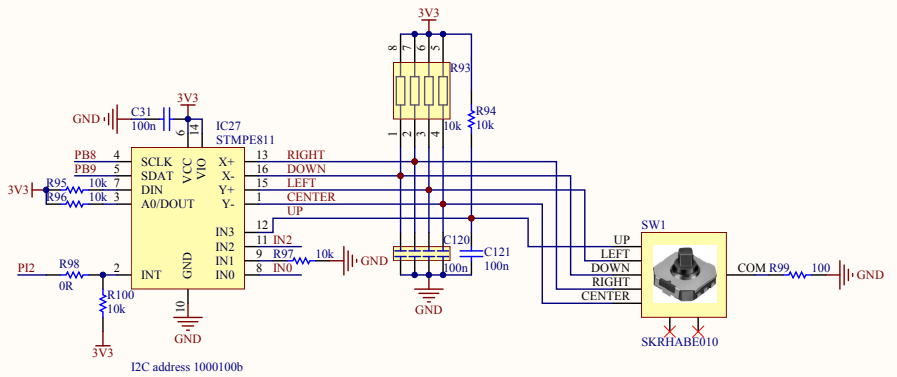
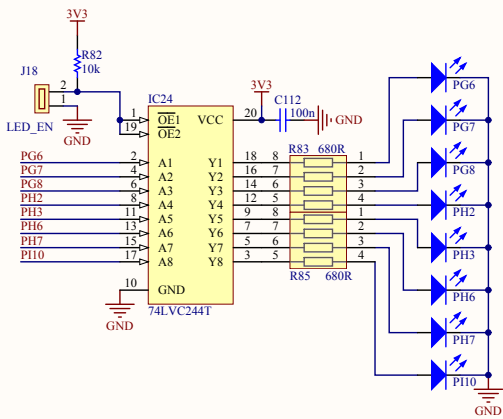
SD - CAN - RS232.SchDoc  
 Size: A4  
 Date: 9/14/2011

Revision: 1.1  
 Sheet 8 of 12  
 Web: www.keil.com







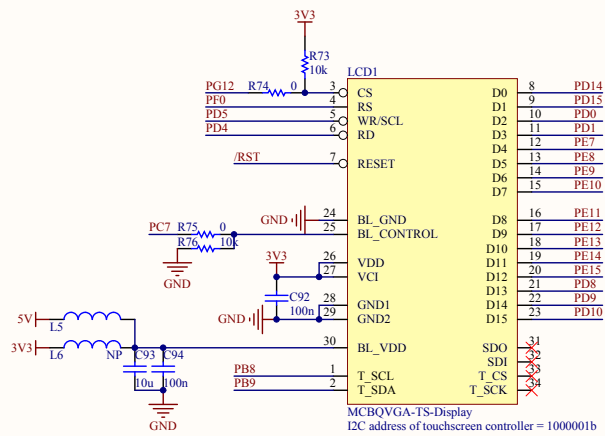


**MCBSTM32F200/F400**

LED - Switch - Sensors.SchDoc  
 Size: A4  
 Date: 9/14/2011

Revision: 1.1  
 Sheet 10 of 12  
 Web: www.keil.com



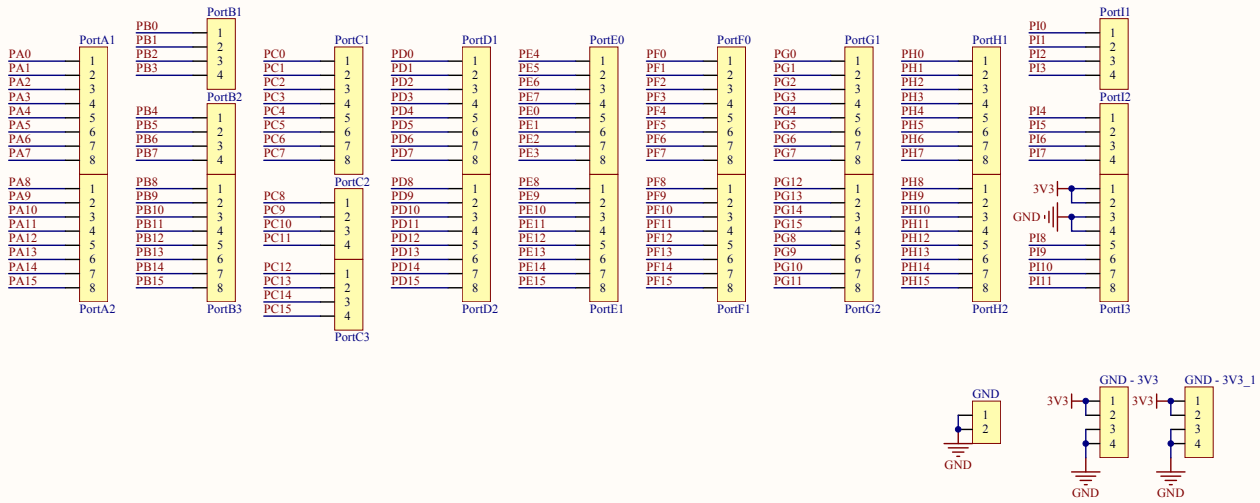


**MCBSTM32F200/F400**

LCD SchDoc  
Size: A4  
Date: 9/14/2011

Revision: 1.1  
Sheet 11 of 12  
Web: www.keil.com



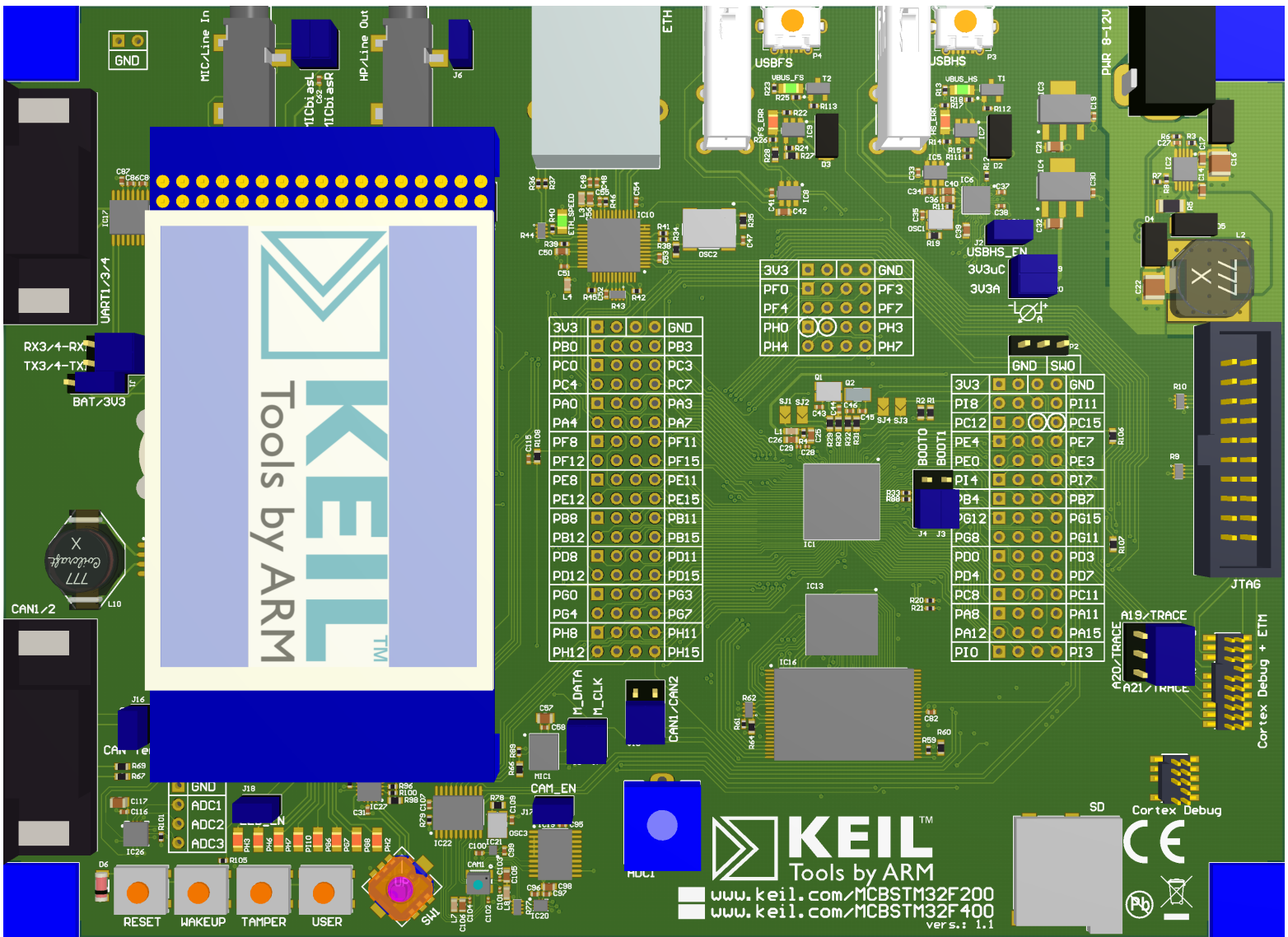


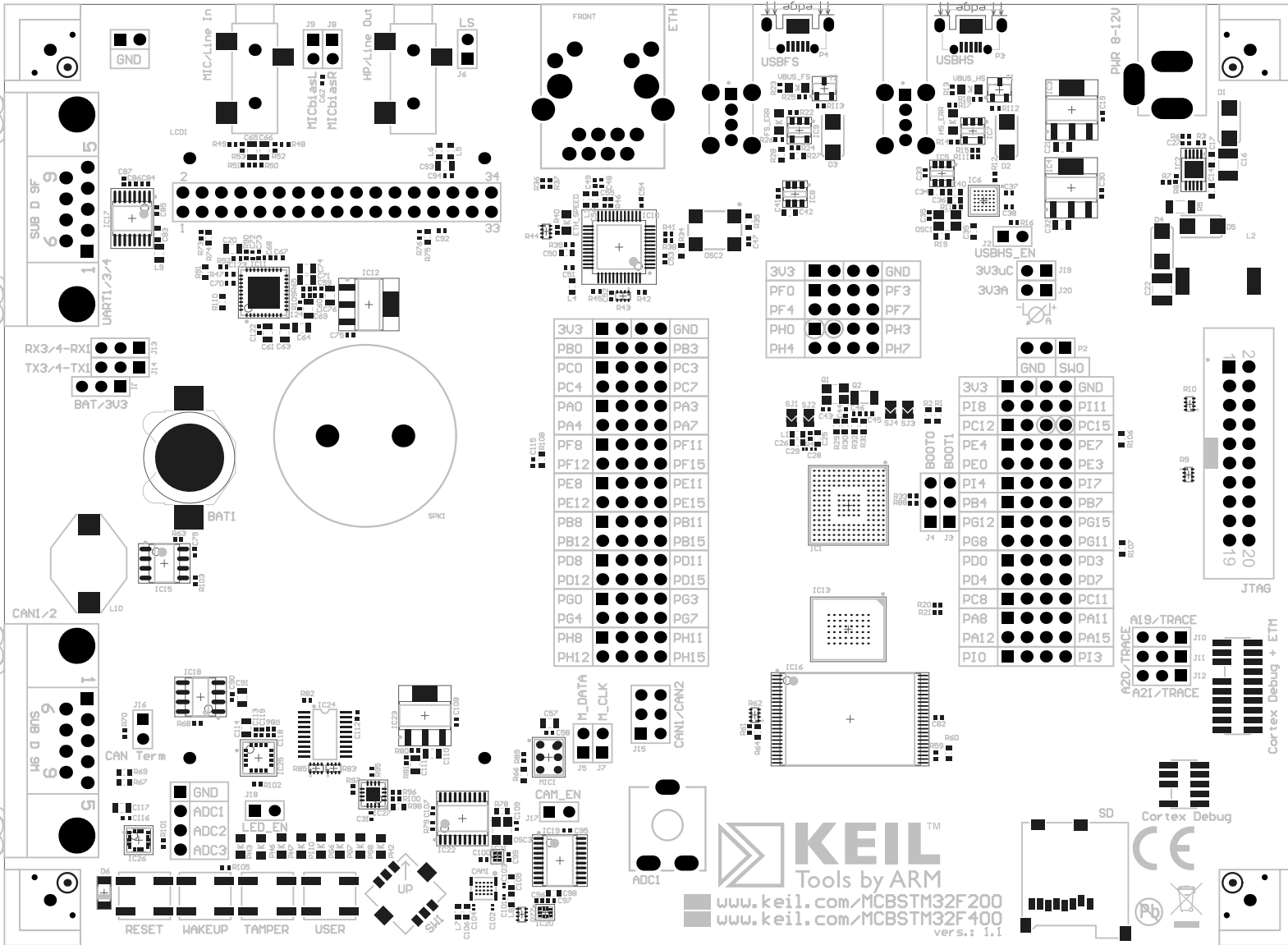
**MCBSTM32F200/F400**

Headers.SchDoc  
 Size: A4  
 Date: 9/14/2011

Revision: 1.1  
 Sheet 12 of 12  
 Web: www.keil.com







3U3	GND
PB0	PB3
PC0	PC3
PC4	PC7
PA0	PA3
PA4	PA7
PF8	PF11
PF12	PF15
PE8	PE11
PE12	PE15
PB8	PB11
PB12	PB15
PD8	PD11
PD12	PD15
PG0	PG3
PG4	PG7
PH8	PH11
PH12	PH15

3U3	GND
PI8	PI11
PC12	PC15
PE4	PE7
PE0	PE3
PI4	PI7
PB4	PB7
PG12	PG15
PG8	PG11
PD4	PD7
PC8	PC11
PA8	PA11
PI0	PI3

[www.keil.com/MCBSTM32F200](http://www.keil.com/MCBSTM32F200)  
[www.keil.com/MCBSTM32F400](http://www.keil.com/MCBSTM32F400)  
 vers.: 1.1

