

**MCBSTM32F200/F400**

Debug_SchDoc	Revision: 1.1
Size: A4	Sheet 2 of 12
Date: 9/14/2011	Web: www.keil.com

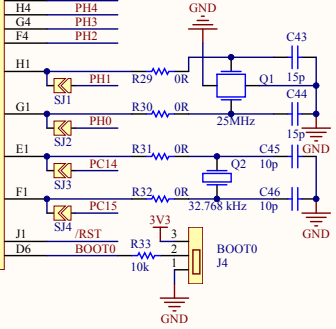
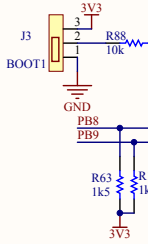


ICB				
PA0	N3	PD0	B12	PD0
PA1	N2	PD1	C12	PD1
PA2	P2	PD2	D12	PD2
PA3	R2	PD3	D11	PD3
PA4	N4	PD4	D10	PD4
PA5	P4	PD5	C11	PD5
PA6	P3	PD6	B11	PD6
PA7	R3	PD7	A11	PD7
PA8	F15	PD8	P15	PD8
PA9	E15	PD9	P14	PD9
PA10	D15	PD10	N15	PD10
PA11	C15	PD11	N14	PD11
PA12	B15	PD12	N13	PD12
PA13	A15	PD13	M15	PD13
PA14	A14	PD14	M14	PD14
PA15	A13	PD15	L14	PD15
PB0	R5	PE0	A4	PE0
PB1	R4	PE1	A3	PE1
PB2	M6	PE2	A2	PE2
PB3	A10	PE3	A1	PE3
PB4	A9	PE4	B1	PE4
PB5	A6	PE5	B2	PE5
PB6	B6	PE6	B3	PE6
PB7	B5	PE7	R8	PE7
PB8	A5	PE8	P8	PE8
PB9	B4	PE9	P9	PE9
PB10	R12	PE10	R9	PE10
PB11	R13	PE11	P10	PE11
PB12	P12	PE12	R10	PE12
PB13	P13	PE13	N11	PE13
PB14	R14	PE14	P11	PE14
PB15	R15	PE15	R11	PE15
PC0	M2	PF0	E2	PF0
PC1	M3	PF1	H3	PF1
PC2	M4	PF2	H2	PF2
PC3	M5	PF3	J2	PF3
PC4	N5	PF4	J3	PF4
PC5	P5	PF5	K3	PF5
PC6	H15	PF6	K2	PF6
PC7	G15	PF7	K1	PF7
PC8	G14	PF8	L3	PF8
PC9	F14	PF9	L2	PF9
PC10	B14	PF10	L1	PF10
PC11	B13	PF11	R6	PF11
PC12	A12	PF12	P6	PF12
PC13	D1	PF13	N6	PF13
		PF14	R7	PF14
		PF15	P7	PF15

STM32F200/400

ICC				
PG0	N7	PH15	D13	PH15
PG1	M7	PH14	E13	PH14
PG2	L15	PH13	E12	PH13
PG3	K15	PH12	K12	PH12
PG4	K14	PH11	L12	PH11
PG5	K13	PH10	L13	PH10
PG6	J15	PH9	M13	PH9
PG7	J14	PH8	M12	PH8
PG8	H14	PH7	N12	PH7
PG9	C10	PH6	M11	PH6
PG10	B10	PH5	J4	PH5
PG11	B9	PH4	H4	PH4
PG12	B8	PH3	G4	PH3
PG13	A8	PH2	F4	PH2
PG14	A7	PH1	H1	PH1
PG15	B7	PH0	G1	PH0
PI0	E14	PC14	E1	PC14
PI1	D14	PC15	F1	PC15
PI2	C14	NRST	J1	NRST
PI3	C13	BOOT0	D6	BOOT0
PI4	D4			
PI5	C4			
PI6	C3			
PI7	C2			
PI8	D2			
PI9	D3			
PI10	E3			
PI11	E4			

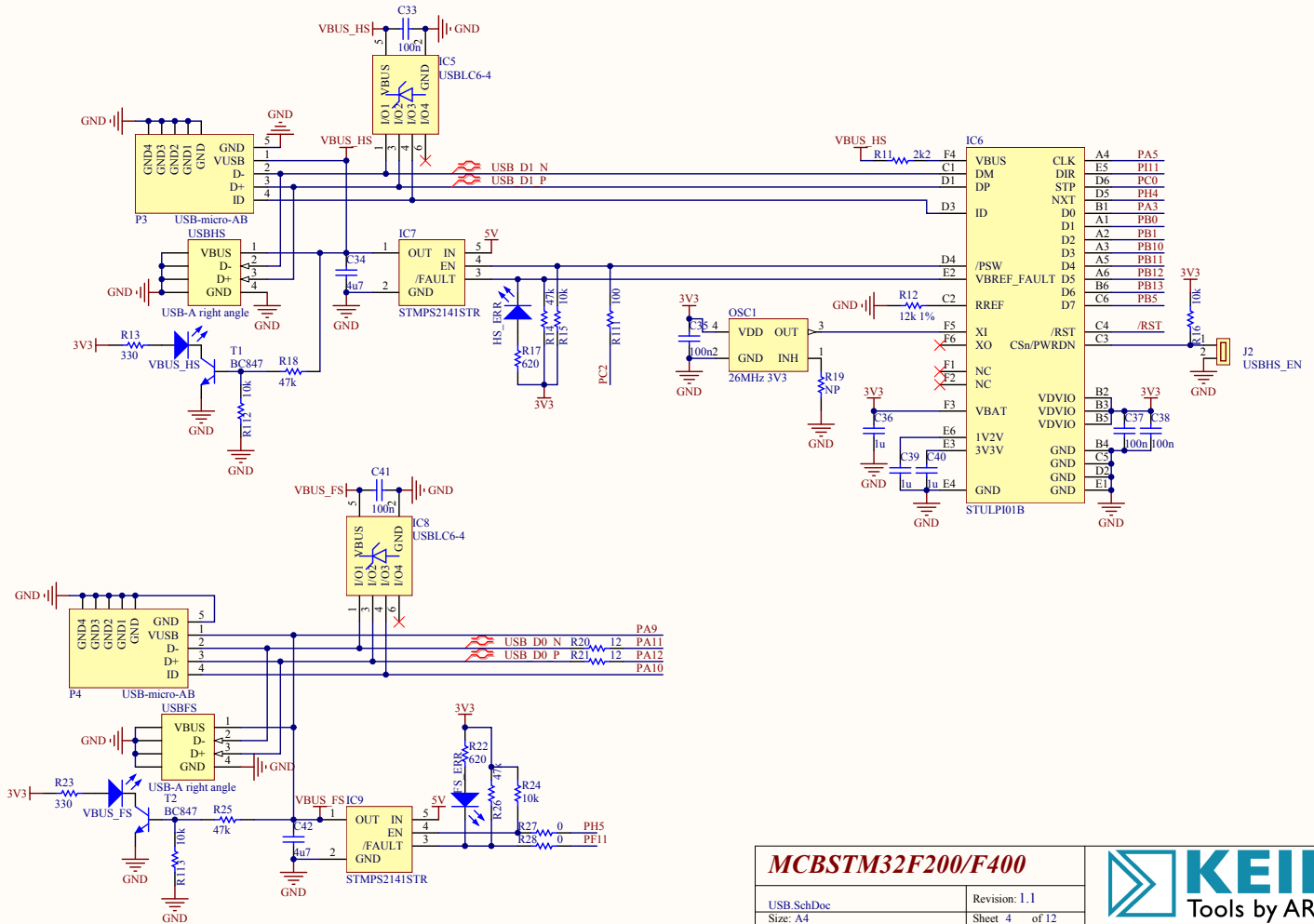
STM32F200/400



**MCBSTM32F200/F400**

uC: SchDoc	Revision: 1.1
Size: A4	Sheet 3 of 12
Date: 9/14/2011	Web: www.keil.com

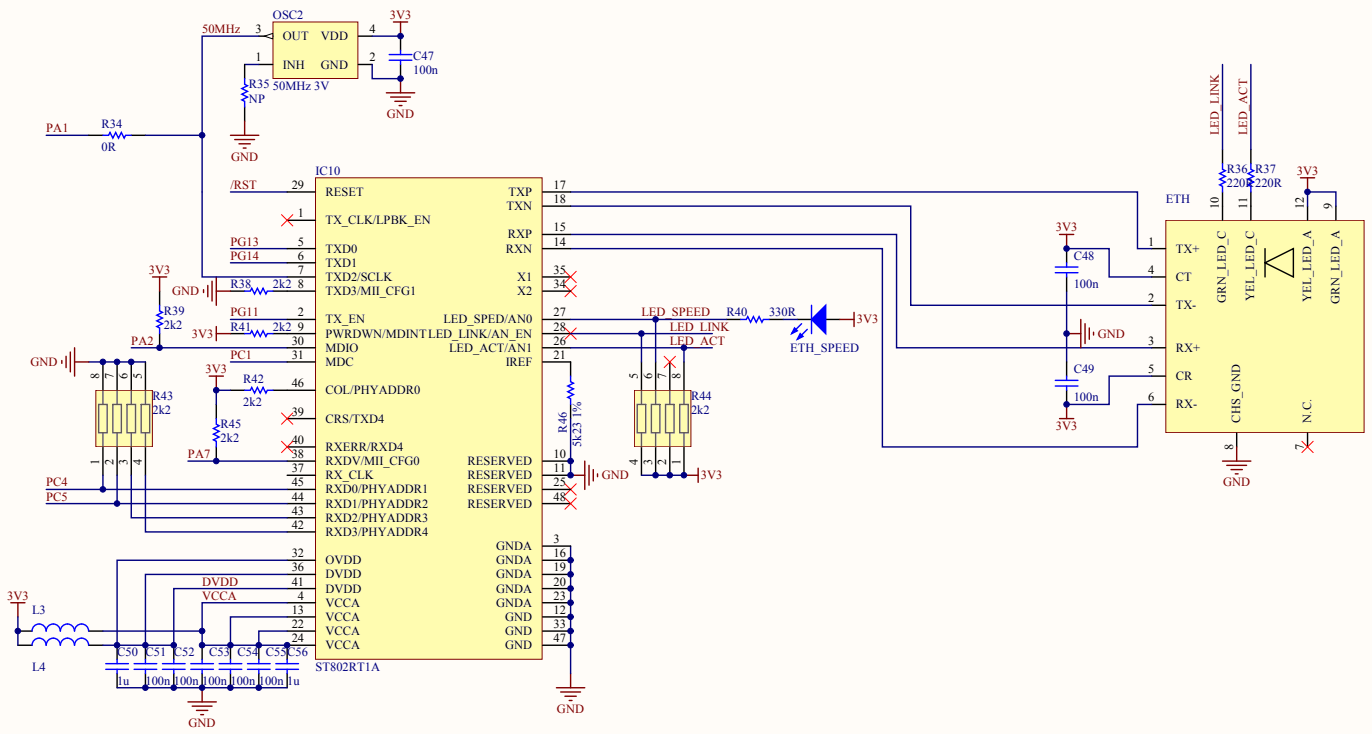




**MCBSTM32F200/F400**

USB_SchDoc	Revision: 1.1
Size: A4	Sheet 4 of 12
Date: 9/14/2011	Web: www.keil.com



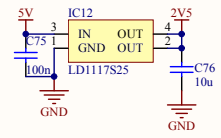
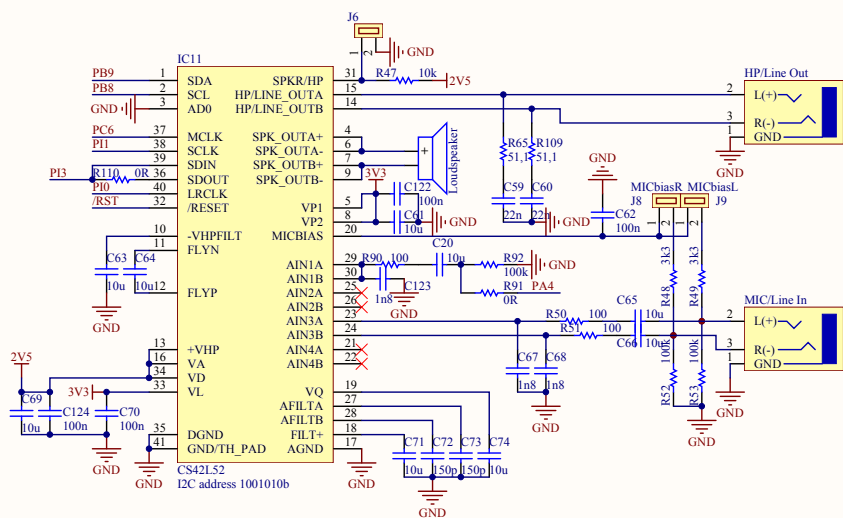
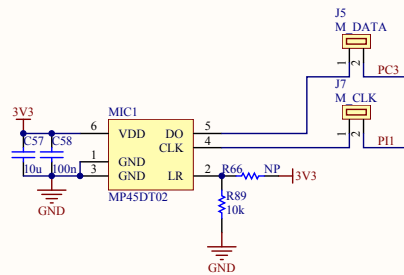


**MCBSTM32F200/F400**

EthernetSchDoc	Revision: 1.1
Size: A4	Sheet 5 of 12
Date: 9/14/2011	Web: www.keil.com



1 2 3 4



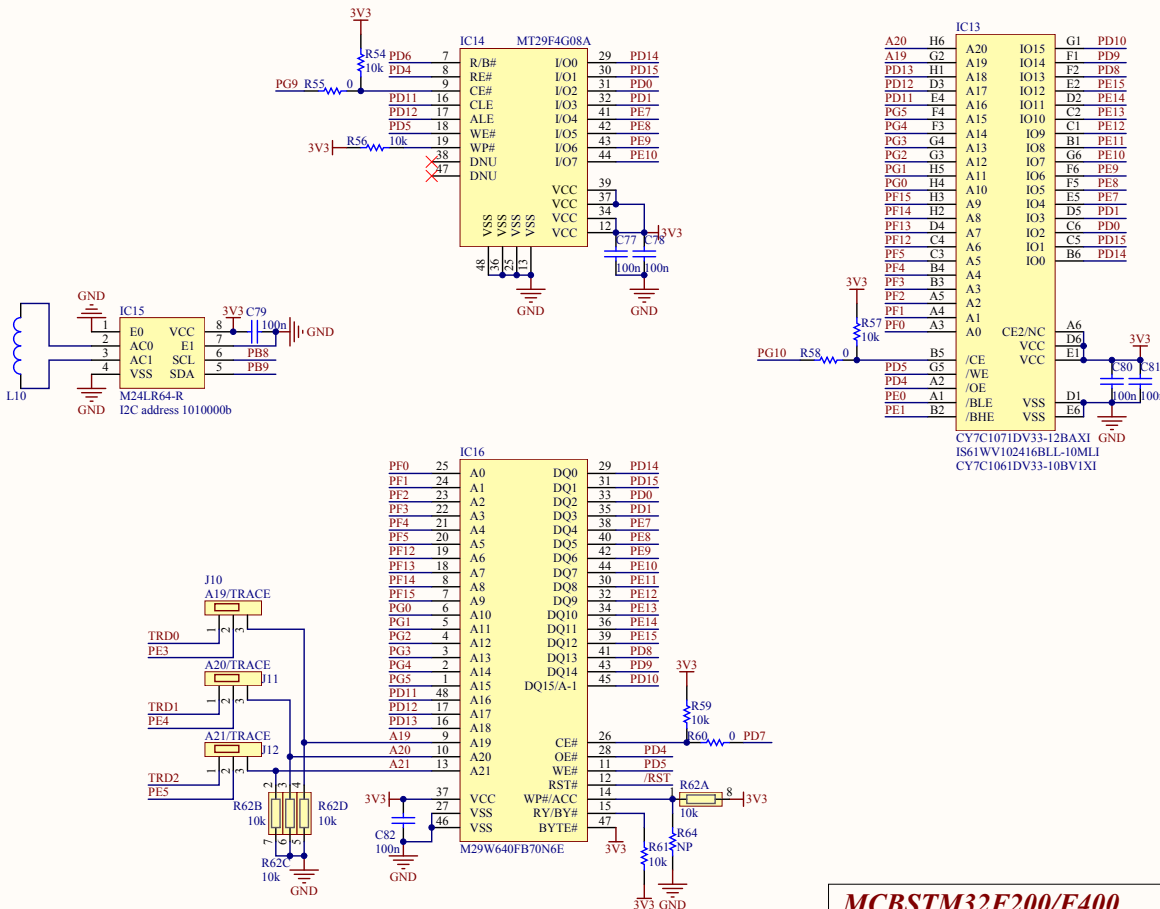
**MCBSTM32F200/F400**

Audio\_SchDoc  
 Size: A4  
 Date: 9/14/2011

Revision: 1.1  
 Sheet 6 of 12  
 Web: www.keil.com

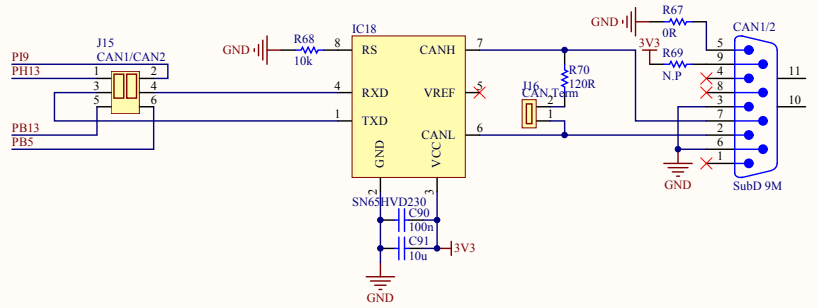
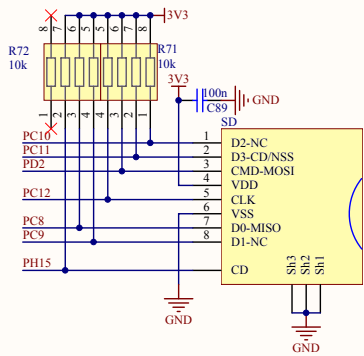
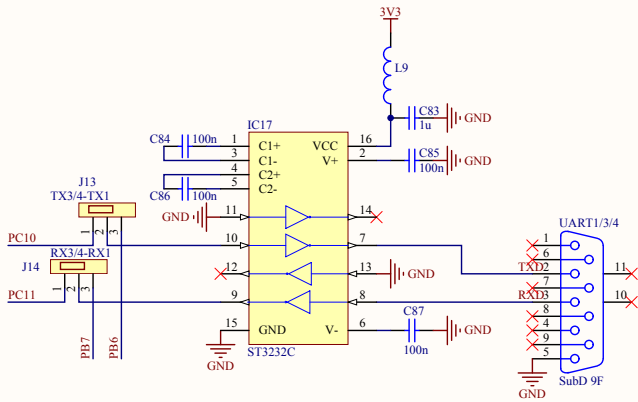


1 2 3 4



<b>MCBSTM32F200/F400</b>	
Memory SchDoc	Revision: 1.1
Size: A4	Sheet 7 of 12
Date: 9/14/2011	Web: www.keil.com



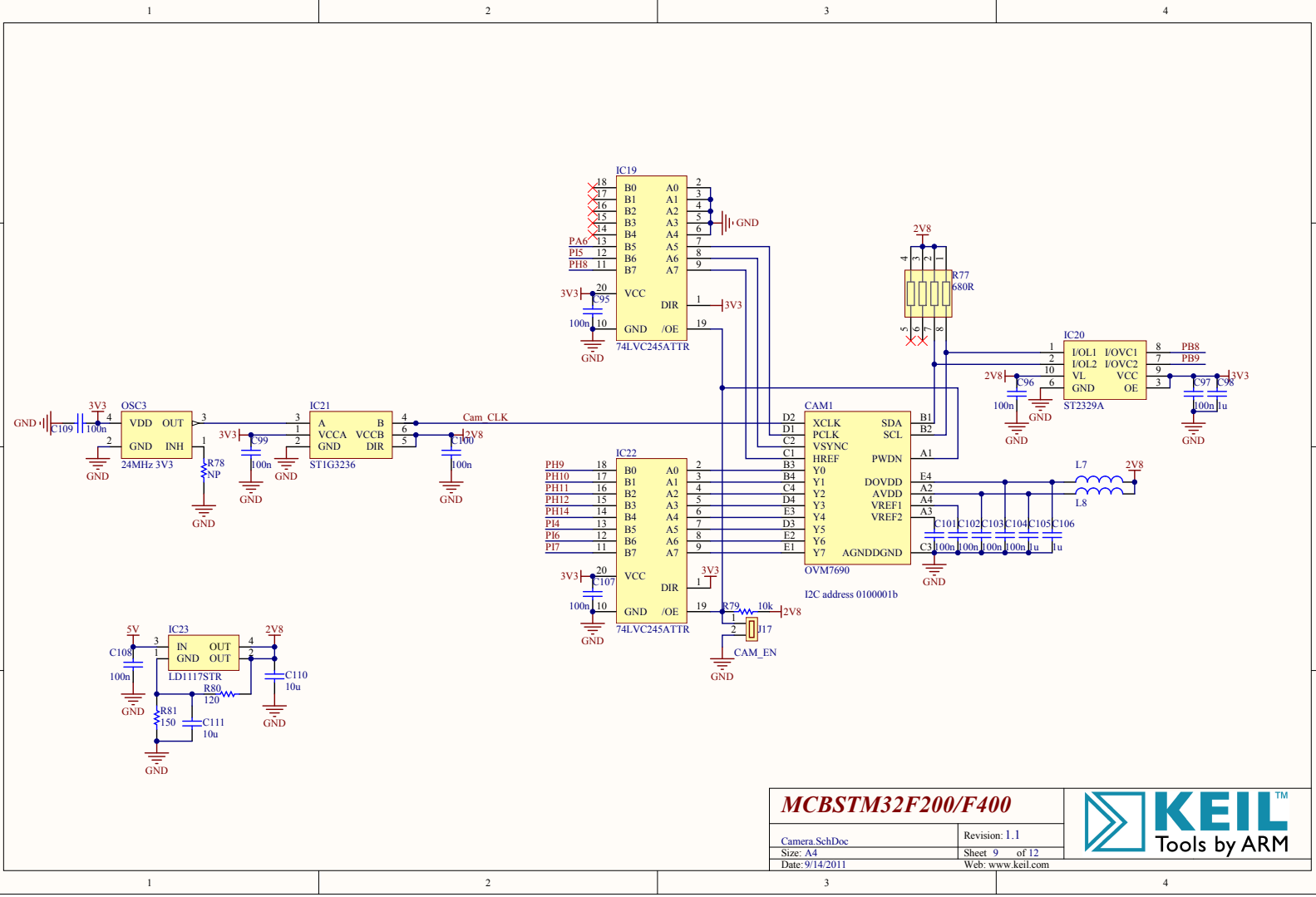


**MCBSTM32F200/F400**

SD - CAN - RS232.SchDoc	Revision: 1.1
Size: A4	Sheet 8 of 12
Date: 9/14/2011	Web: www.keil.com





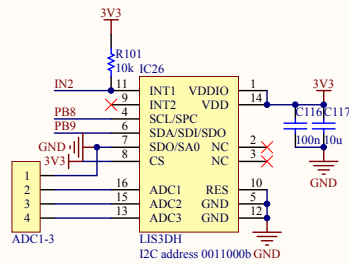
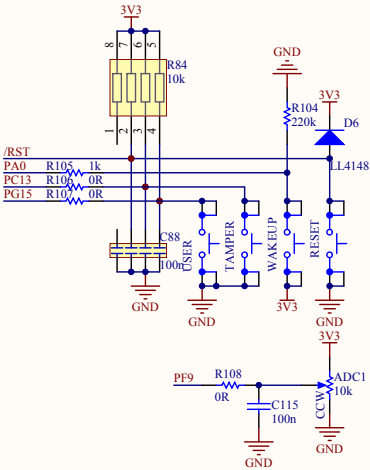
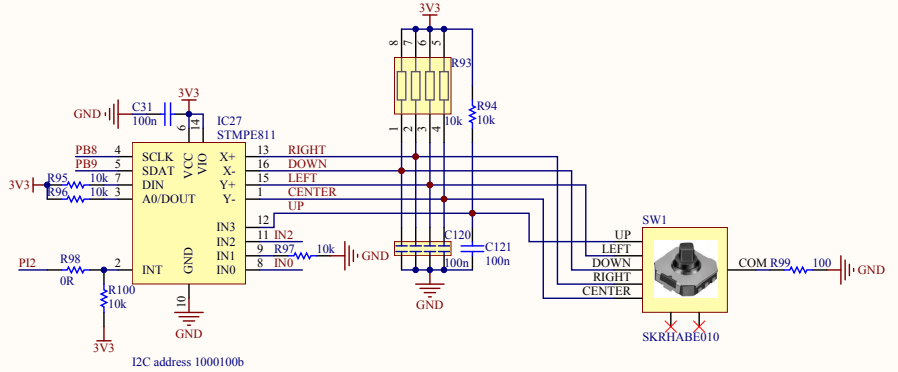
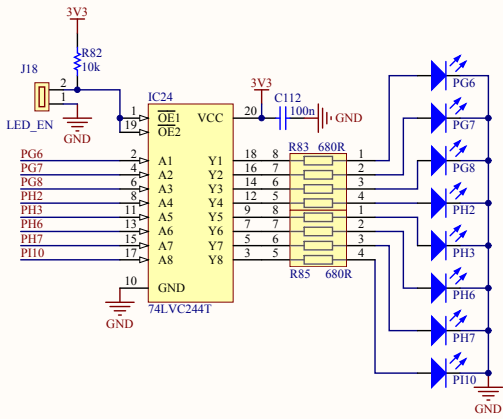


**MCBSTM32F200/F400**

Camera.SchDoc  
 Size: A4  
 Date: 9/14/2011

Revision: 1.1  
 Sheet 9 of 12  
 Web: www.keil.com





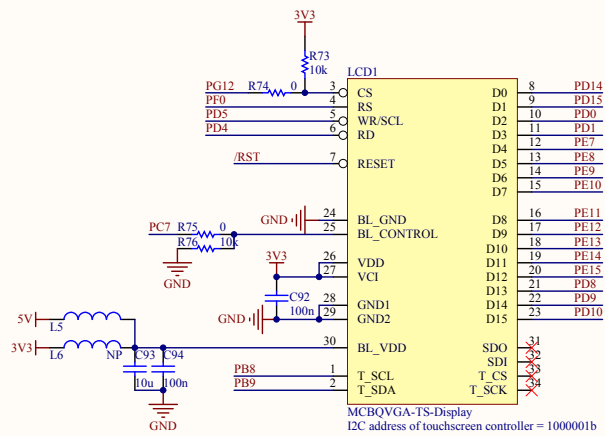
**MCBSTM32F200/F400**

LED - Switch - Sensors.SchDoc  
 Size: A4  
 Date: 9/14/2011

Revision: 1.1

Sheet 10 of 12  
 Web: www.keil.com



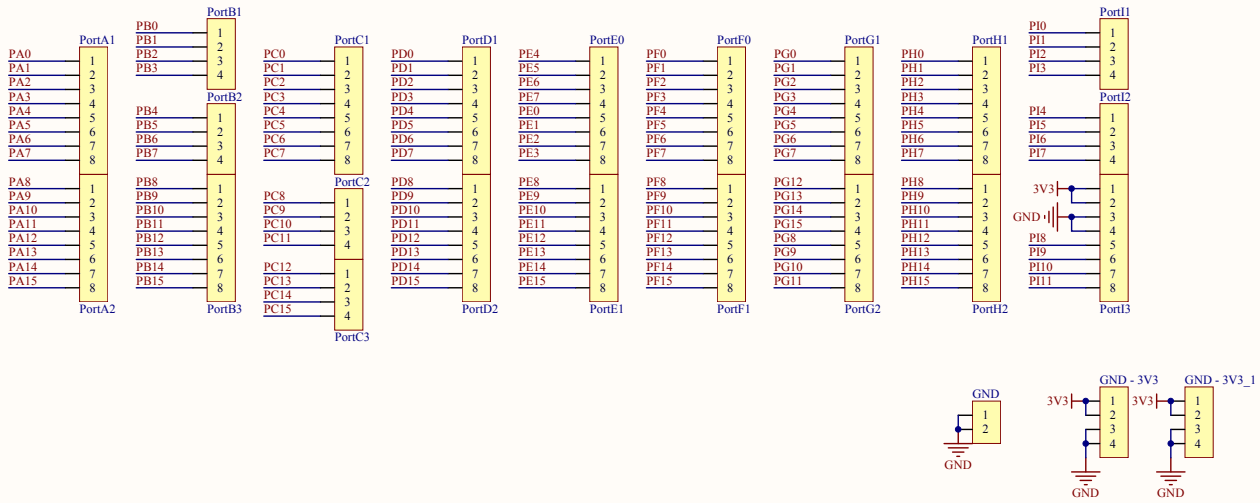


**MCBSTM32F200/F400**

LCD SchDoc  
Size: A4  
Date: 9/14/2011

Revision: 1.1  
Sheet 11 of 12  
Web: www.keil.com





**MCBSTM32F200/F400**

Headers.SchDoc  
 Size: A4  
 Date: 9/14/2011

Revision: 1.1  
 Sheet 12 of 12  
 Web: www.keil.com



