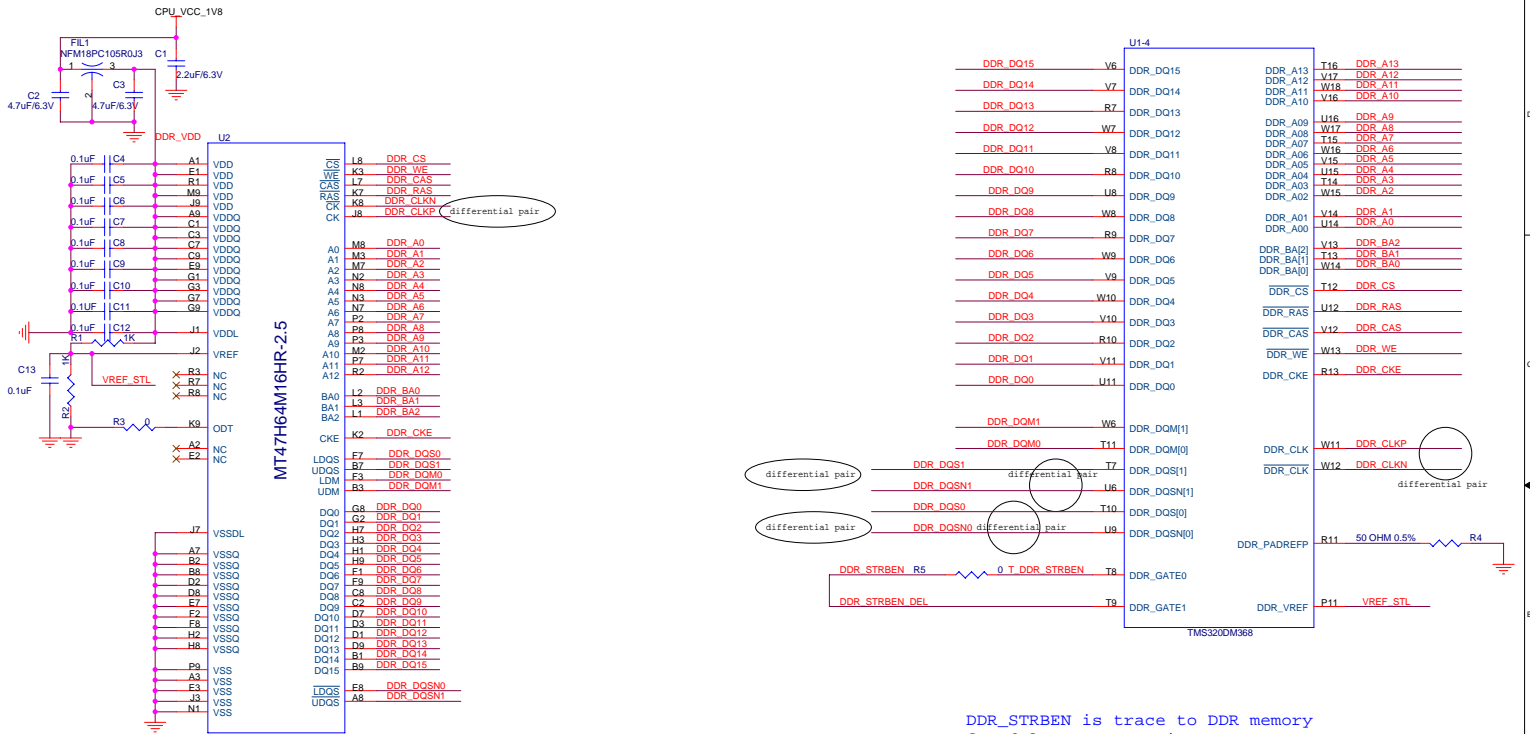


REV	DESCRIPTION	DATE	APPROVED
1.0	Initial schematic	06/01/09	
1.5	Change Resistor Array to single Resistor	10/16/10	

SCHMATIC CONTENTS

SHEET01 - TITLE  
 SHEET02 - DM368 DDR2 INTERFACE  
 SHEET03 - DM368 EMIF/BOOT MODES/CFG MODES  
 SHEET04 - DM368 USB  
 SHEET05 - DM368 VIDEO PORT IN  
 SHEET06 - DM368 VIDEO PORT OUT  
 SHEET07 - DM368 ANALOG VIDEO OUT  
 SHEET08 - DM368 SD/MMC/MS IF  
 SHEET09 - DM368 I/O  
 SHEET10 - DM368 JTAG,CLKS,RESET  
 SHEET11 - DM368 ADC  
 SHEET12 - DM368 MIC/SPEAKER  
 SHEET13 - DM368 POWER PINS  
 SHEET14 - DM368 POWER CONTROL  
 SHEET15 - DM368 GROUND PINS  
 SHEET16 - DM368 DECOUPLING CAPS  
 SHEET17 - NAND FLASH  
 SHEET18 - VIDEO COMPONENT OUT  
 SHEET19 - AIC3104  
 SHEET20 - ETHERNET PHY  
 SHEET21 - POWER IN

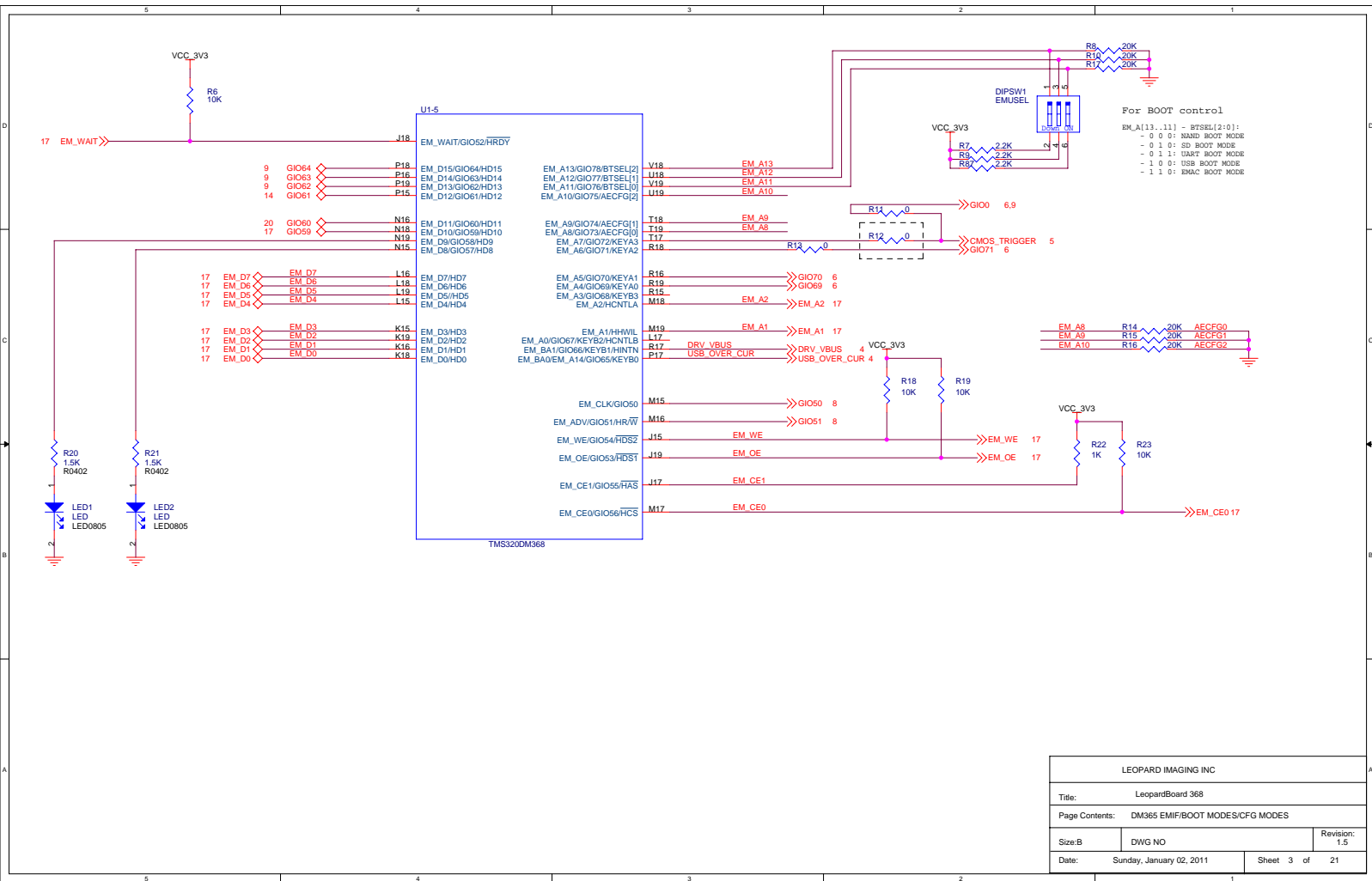
LEOPARD IMAGING INC		
Title: LeopardBoard 368		
Page Contents: TITLE SHEET		
Size: B	DWG NO	Revision: 1.5
Date: Sunday, January 02, 2011	Sheet 1 of	21



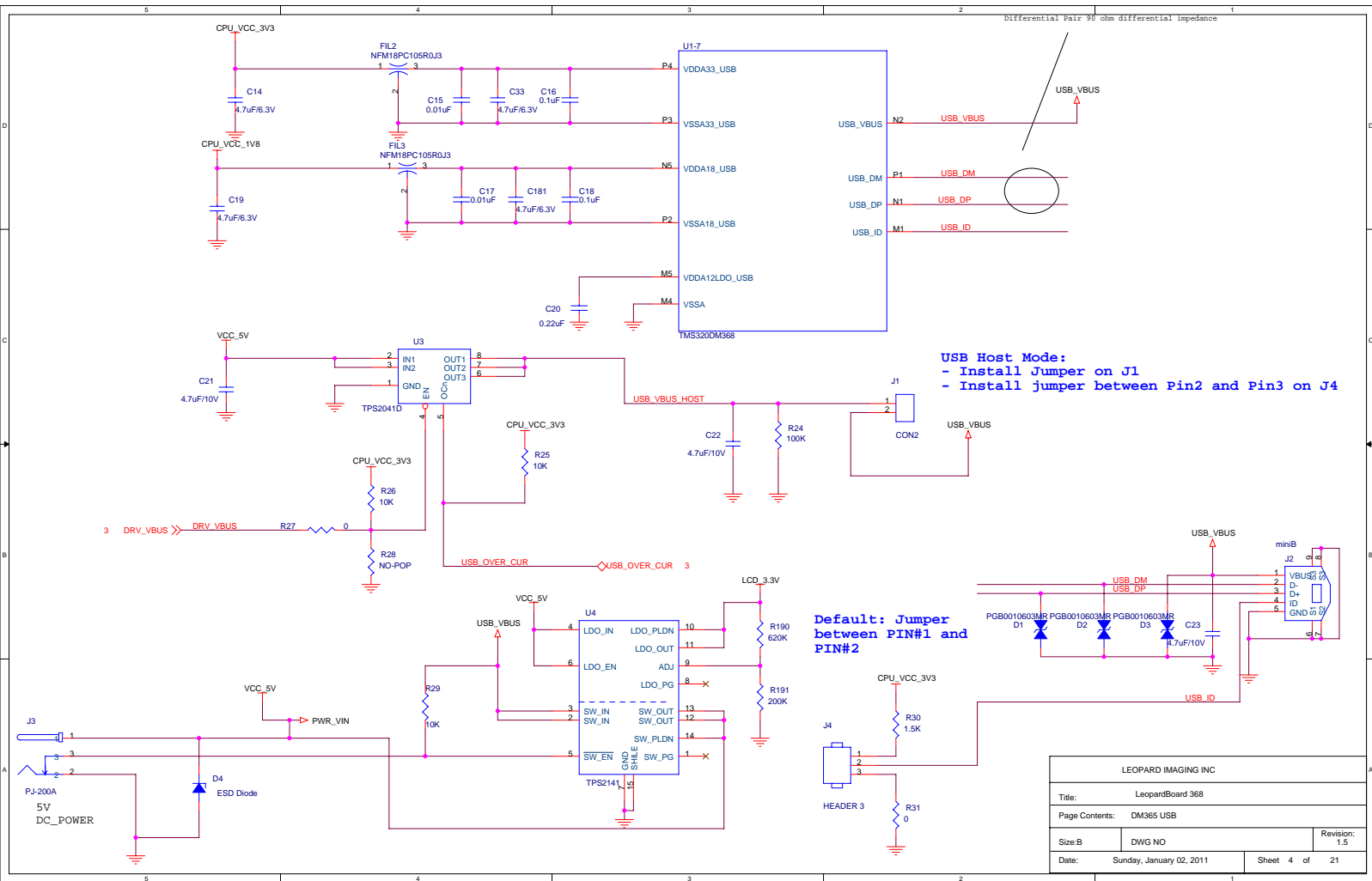
DDR\_STRBEN is trace to DDR memory for delay compensation

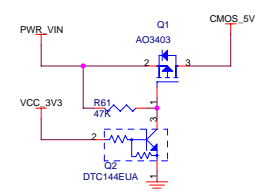
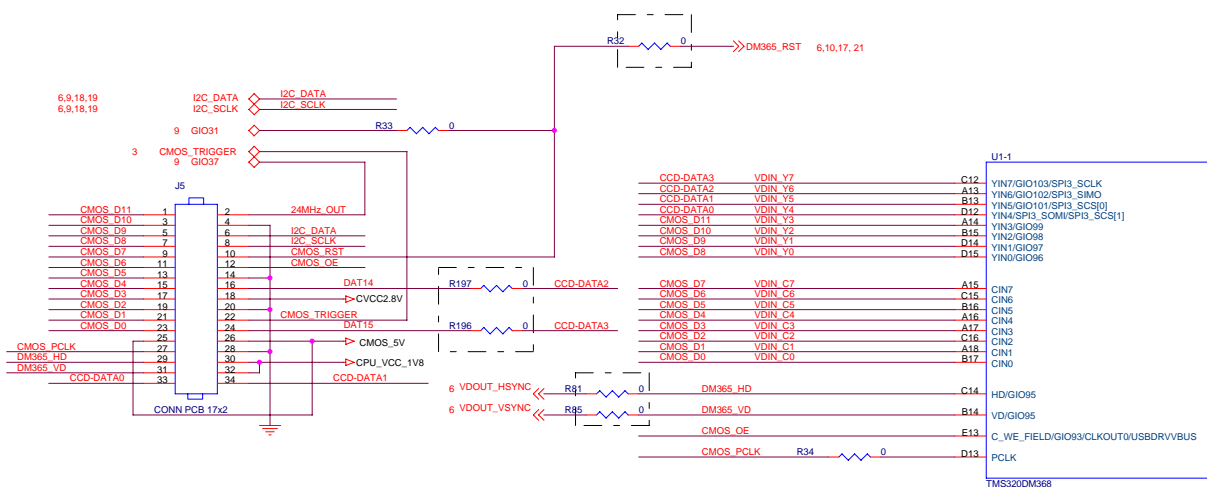
This net is equal to the DDR\_CLKP ( or DDR\_CLKN ) plus the length of DDR\_DQXX Average Trace length

LEOPARD IMAGING INC		
Title: LeopardBoard 368		
Page Contents: DM365 DDR INTERFACE		
Size: B	DWG NO	Revision: 1.5
Date: Sunday, January 02, 2011	Sheet 2 of 21	

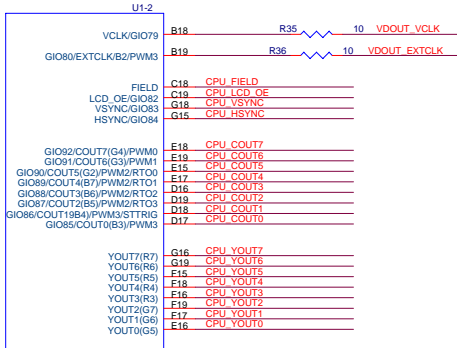


LEOPARD IMAGING INC		
Title: LeopardBoard 368		
Page Contents: DM365 EMIF/BOOT MODES/CFG MODES		
Size: B	DWG NO	Revision: 1.5
Date: Sunday, January 02, 2011	Sheet 3 of 21	

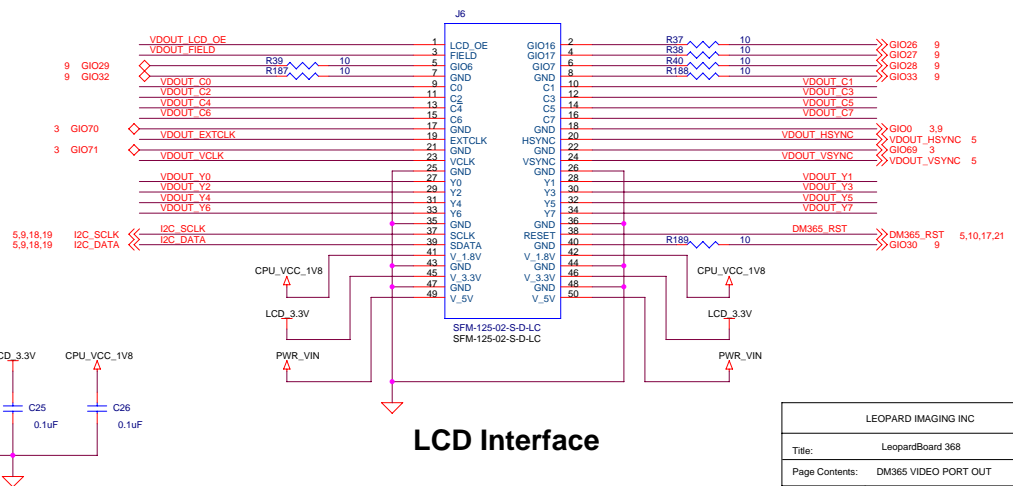




LEOPARD IMAGING INC			
Title: LeopardBoard 368			
Page Contents: DM365 VIDEO IN			
Size: B	DWG NO	Revision: 1.5	
Date: Sunday, January 02, 2011	Sheet 5 of		21

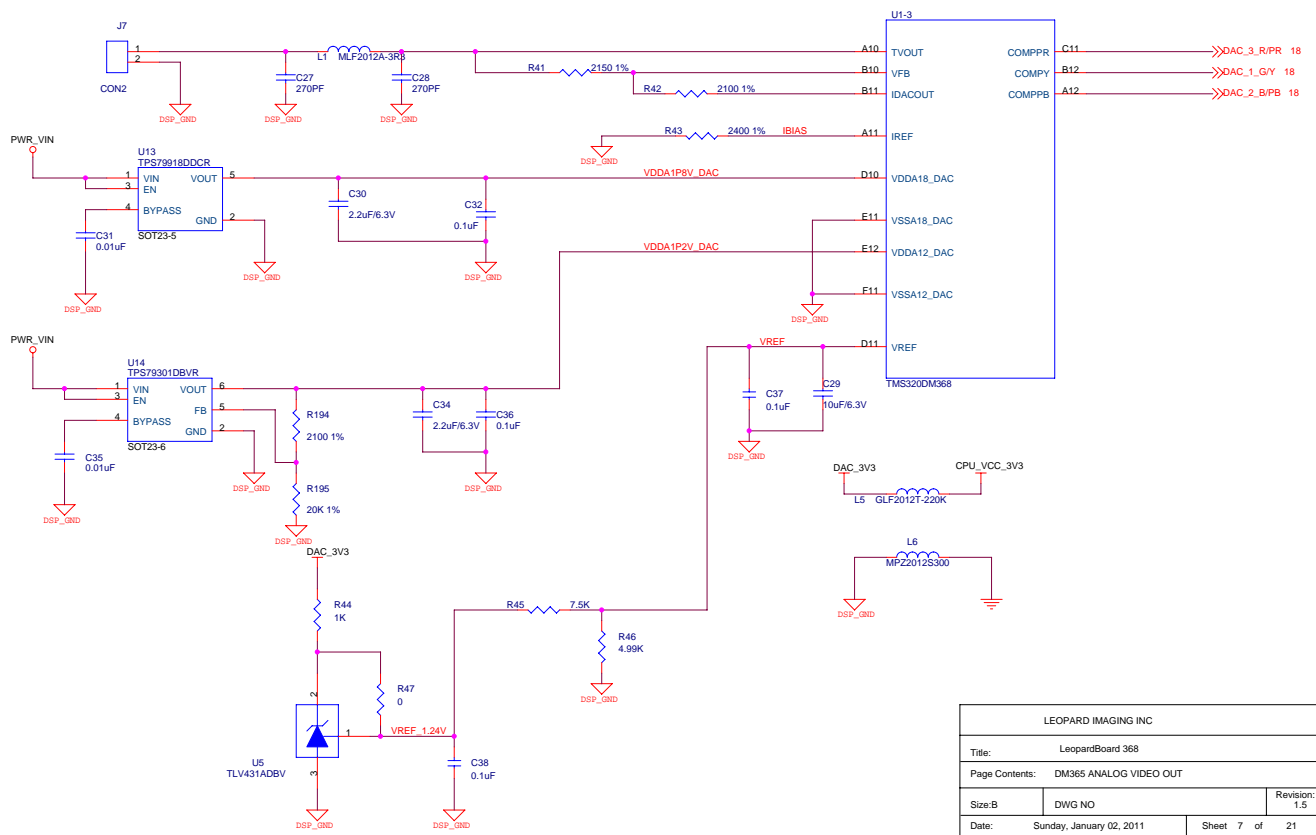


- R0 - GIO32
- R1 - GIO33
- R2 - VDOUT\_FIELD
- R3 - YOUT3
- R4 - YOUT4
- R5 - YOUT5
- R6 - YOUT6
- R7 - YOUT7
- B0 - GIO27
- B1 - GIO28
- B2 - VDOUT\_EXTCLK
- B3 - COUT0
- B4 - COUT1
- B5 - COUT2
- B6 - COUT3
- B7 - COUT4
- G0 - GIO29
- G1 - GIO30
- G2 - COUT5
- G3 - COUT6
- G4 - COUT7
- G5 - YOUT0
- G6 - YOUT1
- G7 - YOUT2

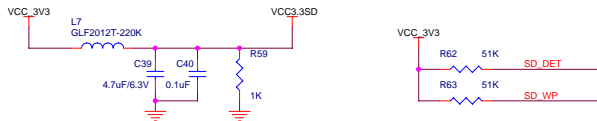
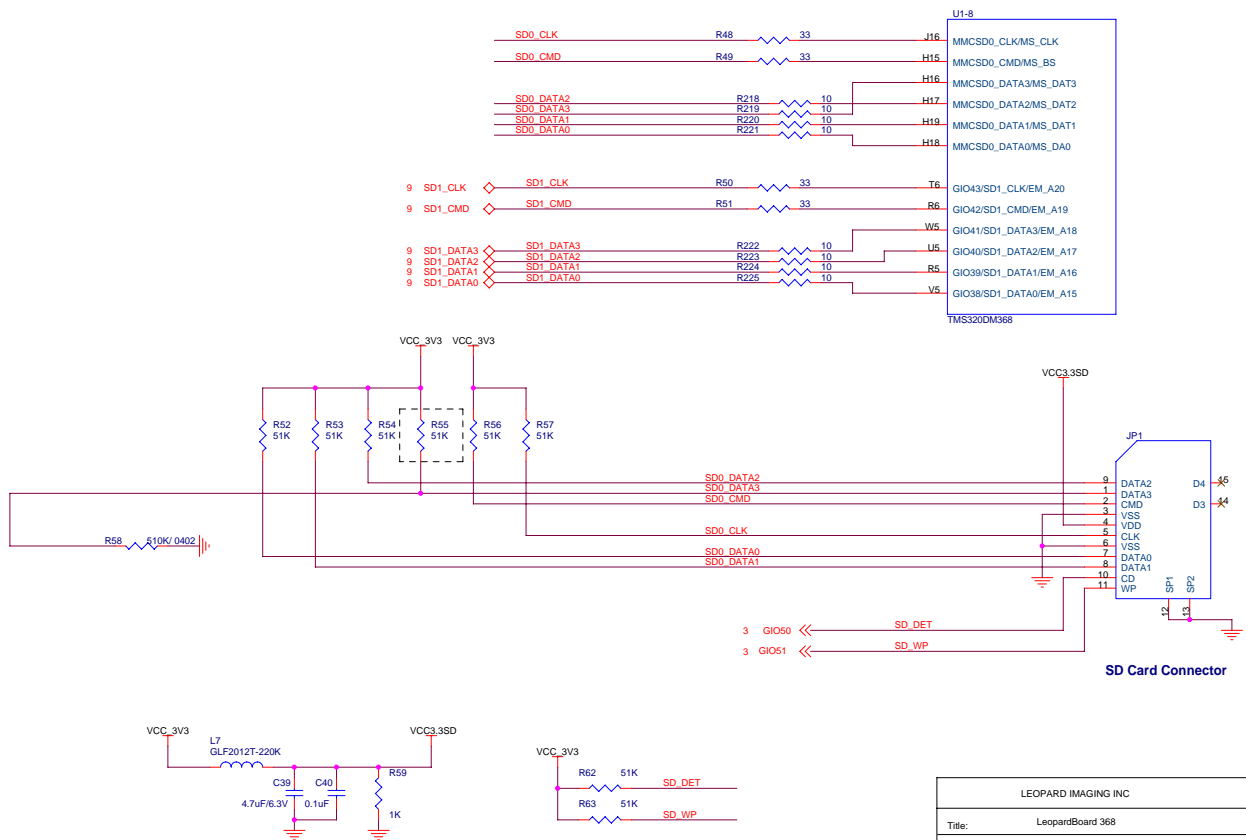


### LCD Interface

LEOPARD IMAGING INC		
Title: LeopardBoard 368		
Page Contents: DM365 VIDEO PORT OUT		
Size: B	DWG NO	Revision: 1.5
Date: Sunday, January 02, 2011	Sheet 6 of 21	

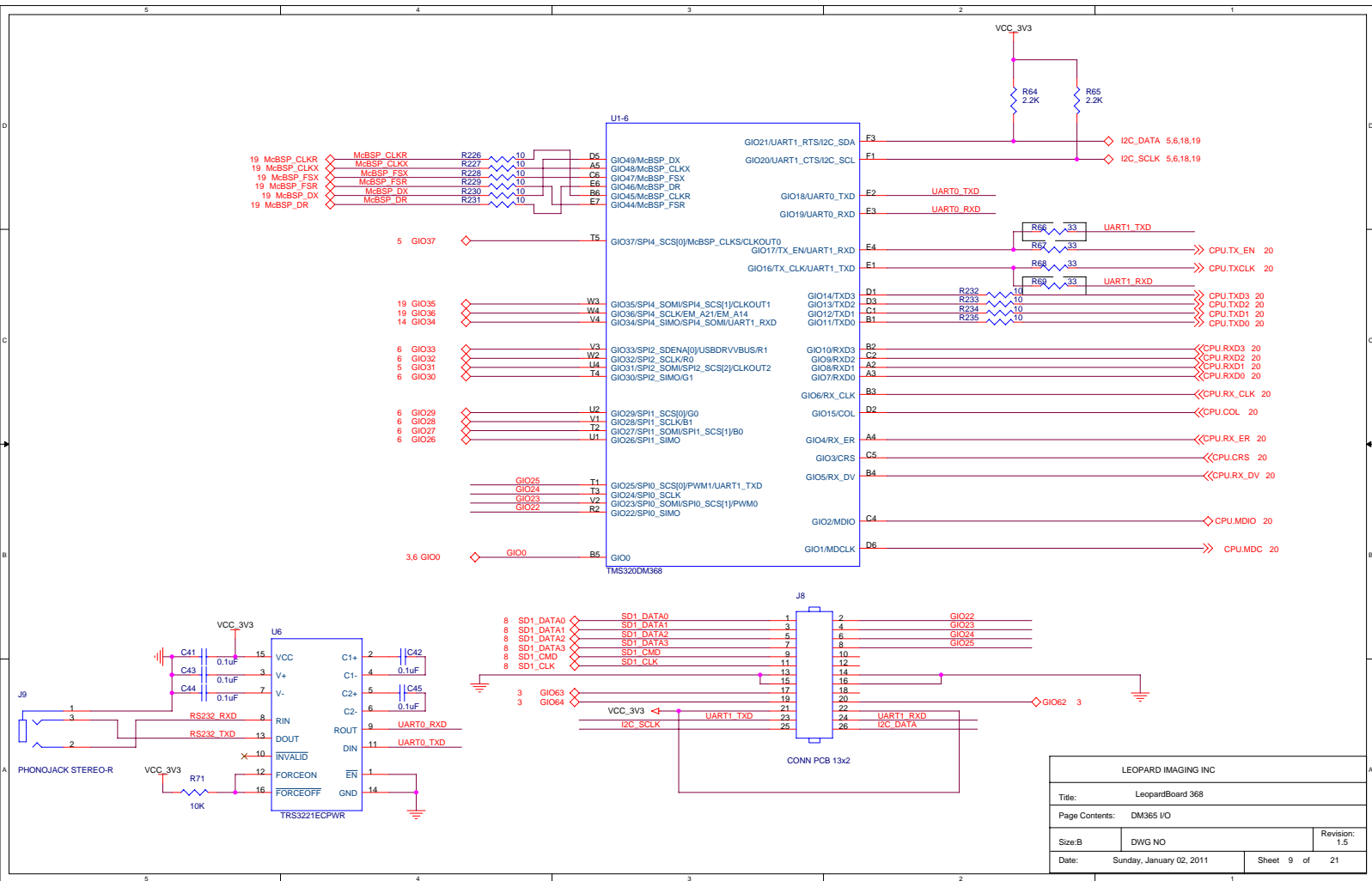


LEOPARD IMAGING INC		
Title: LeopardBoard 368		
Page Contents: DM365 ANALOG VIDEO OUT		
Size: B	DWG NO	Revision: 1.5
Date: Sunday, January 02, 2011	Sheet 7 of 21	

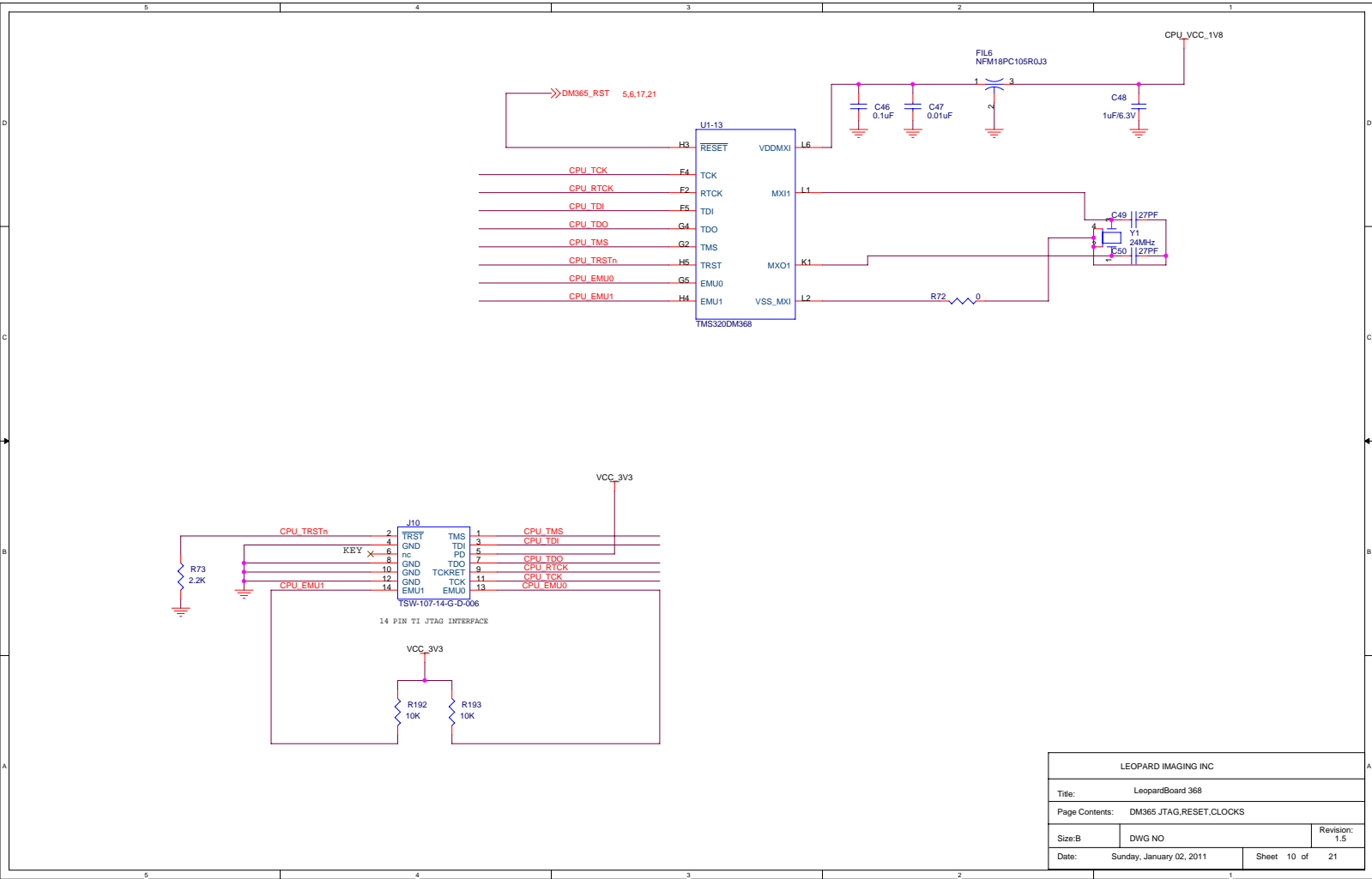


LEOPARD IMAGING INC		
Title: LeopardBoard 368		
Page Contents: DM365 SD/MMC/MS INTERFACE		
Size: B	DWG NO	Revision: 1.5
Date: Sunday, January 02, 2011	Sheet 8 of 21	

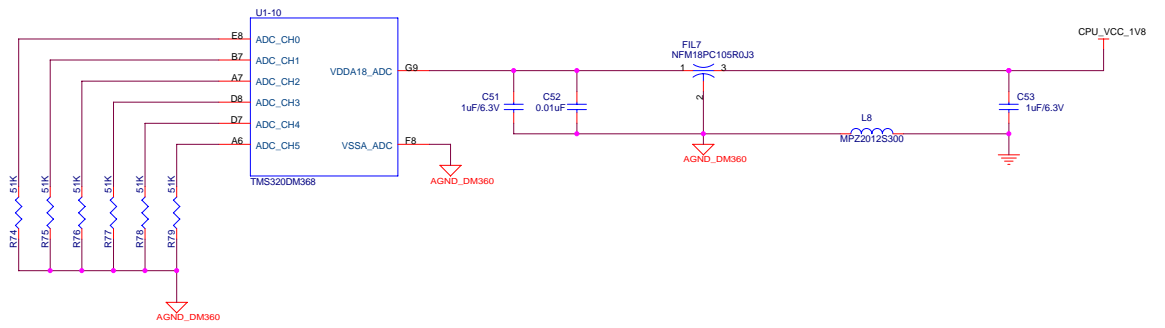




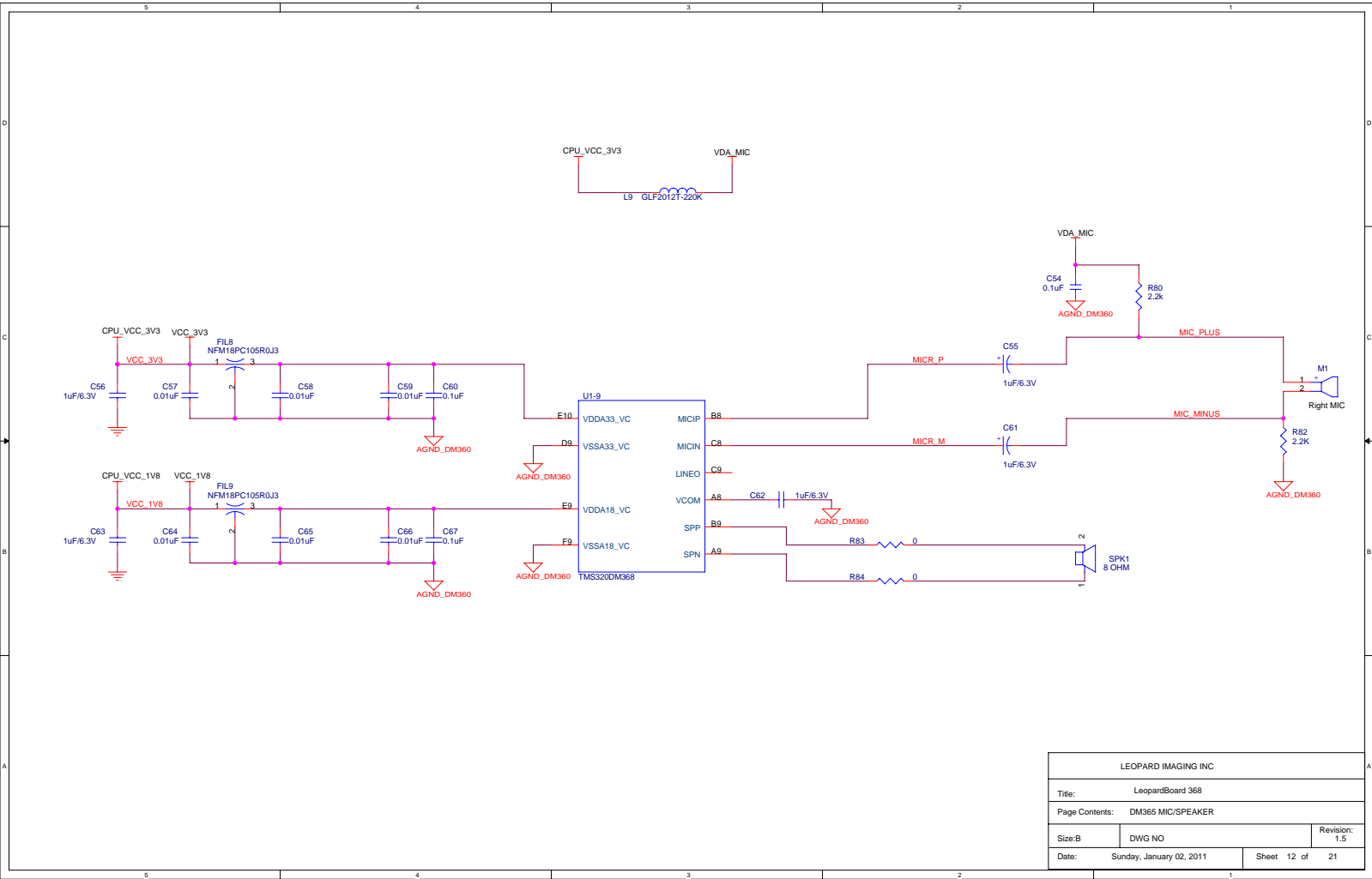
LEOPARD IMAGING INC		
Title: LeopardBoard 368		
Page Contents: DM365 I/O		
Size: B	DWG NO	Revision: 1.5
Date: Sunday, January 02, 2011	Sheet 9 of 21	



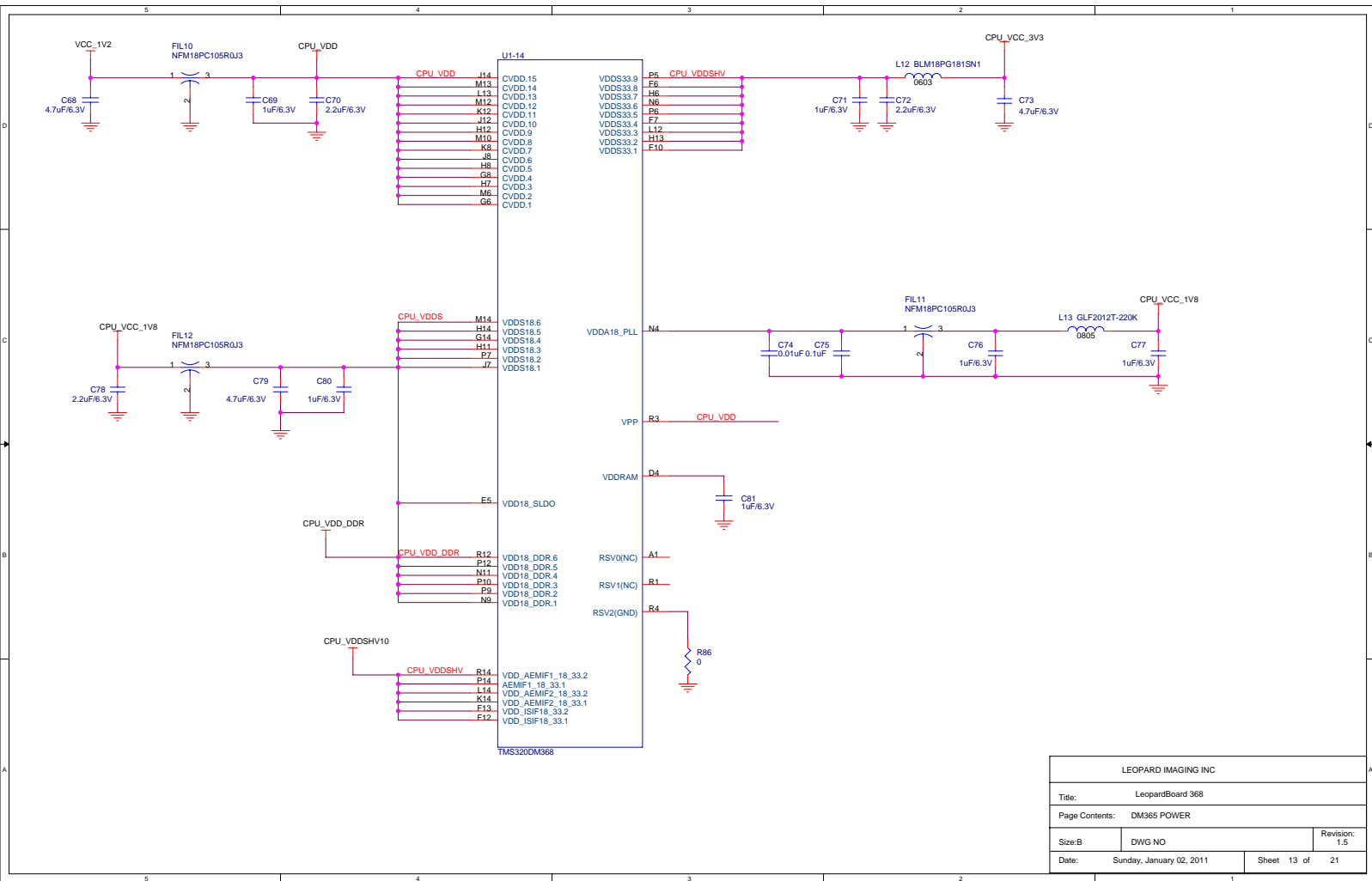
LEOPARD IMAGING INC		
Title: LeopardBoard 368		
Page Contents: DM365 JTAG,RESET,CLOCKS		
Size:B	DWG NO	Revision: 1.5
Date: Sunday, January 02, 2011	Sheet 10 of	21



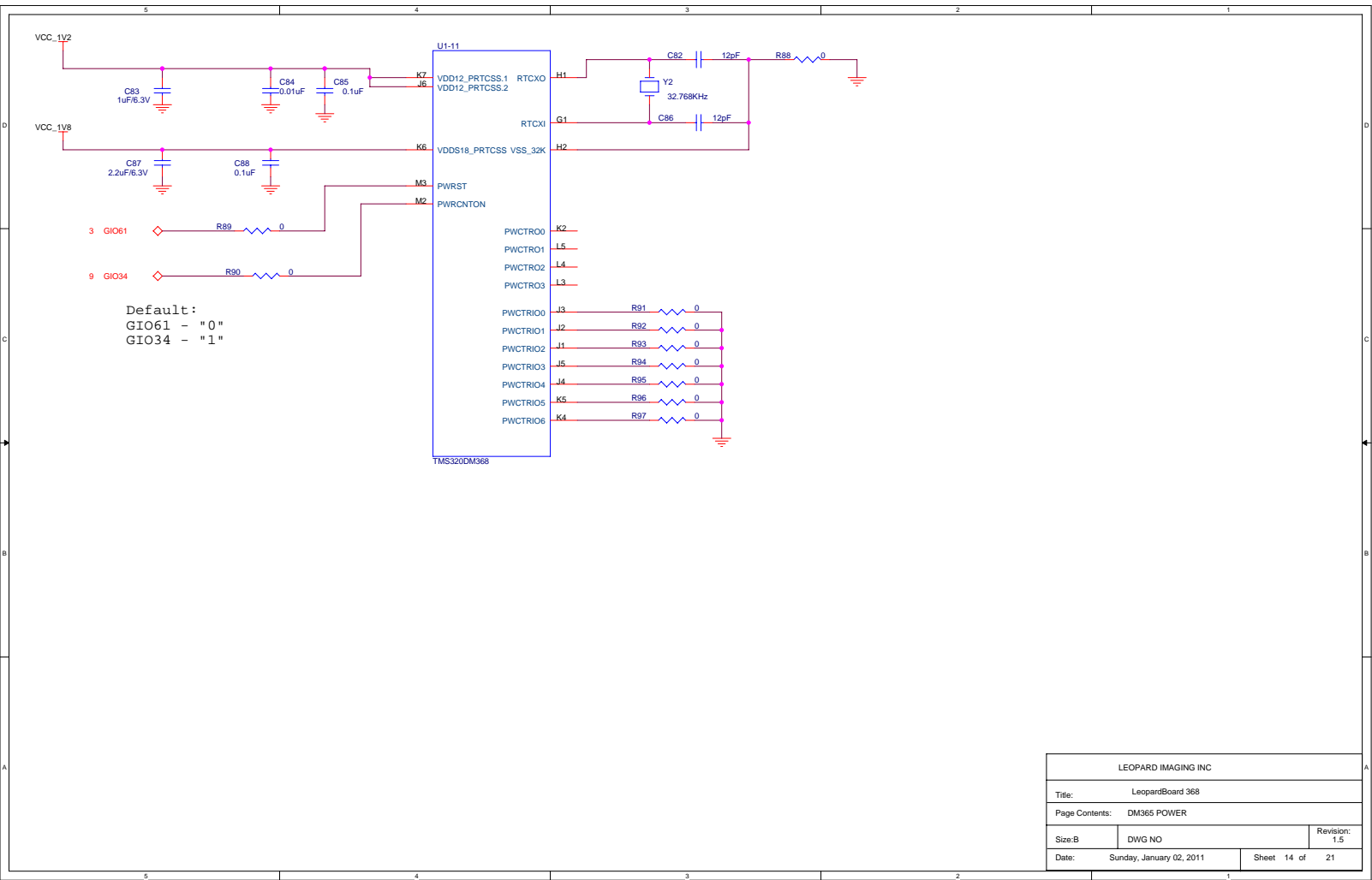
LEOPARD IMAGING INC		
Title: LeopardBoard 368		
Page Contents: DM365 ADC		
Size: B	DWG NO	Revision: 1.5
Date: Sunday, January 02, 2011	Sheet 11 of	21



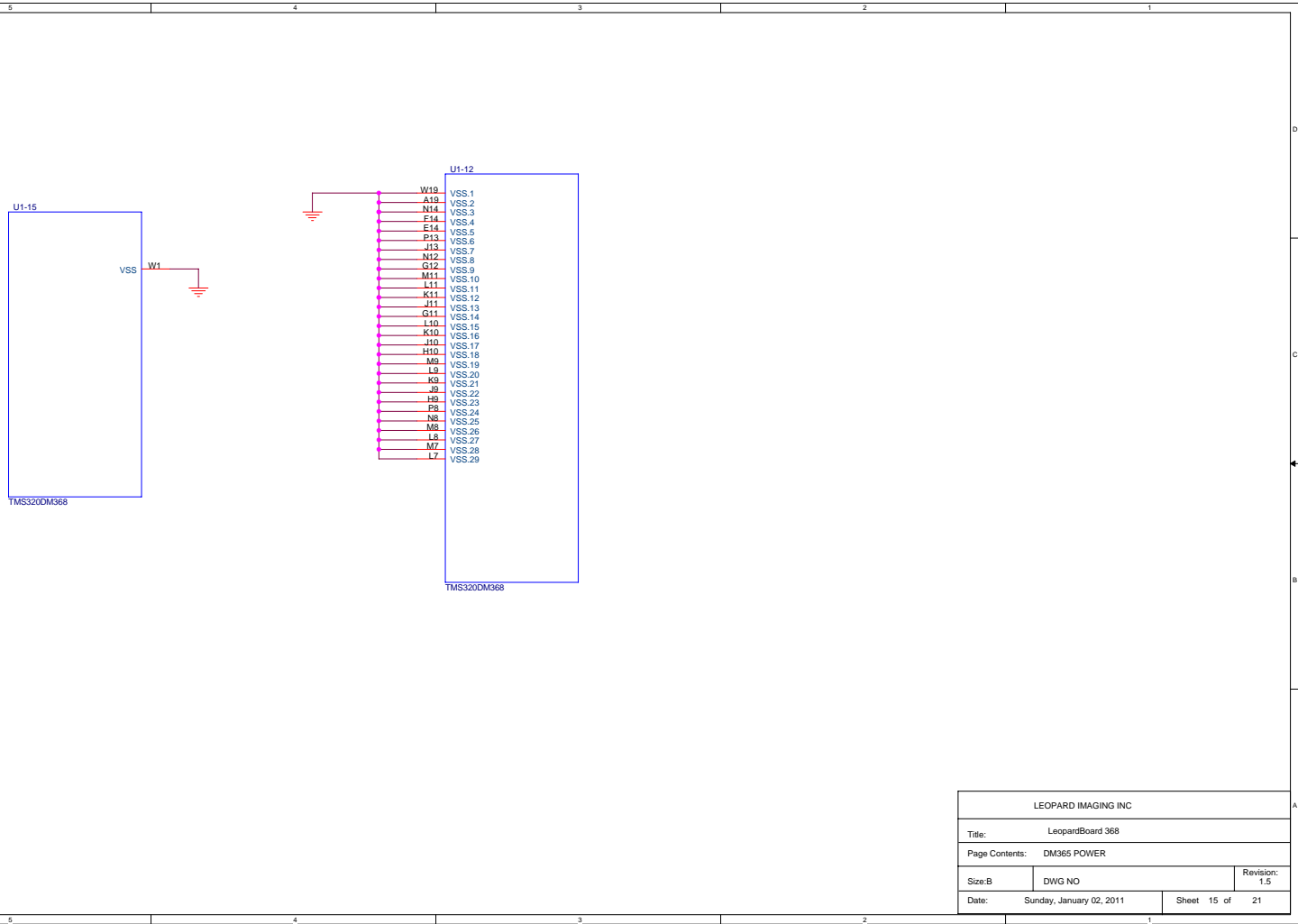
LEOPARD IMAGING INC		
Title: LeopardBoard 368		
Page Contents: DM365 MIC/SPEAKER		
Size: B	DWG NO	Revision: 1.5
Date: Sunday, January 02, 2011	Sheet 12 of	21



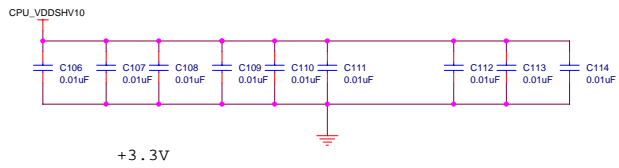
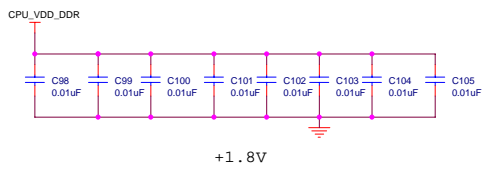
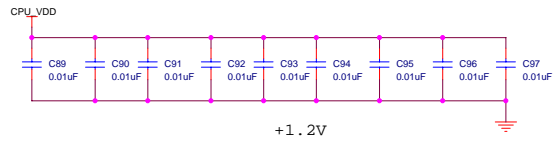
LEOPARD IMAGING INC		
Title: LeopardBoard 368		
Page Contents: DM365 POWER		
Size: B	DWG NO	Revision: 1.5
Date: Sunday, January 02, 2011	Sheet 13 of	21



LEOPARD IMAGING INC		
Title: LeopardBoard 368		
Page Contents: DM365 POWER		
Size: B	DWG NO	Revision: 1.5
Date: Sunday, January 02, 2011	Sheet 14 of	21

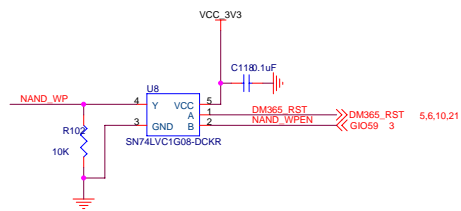
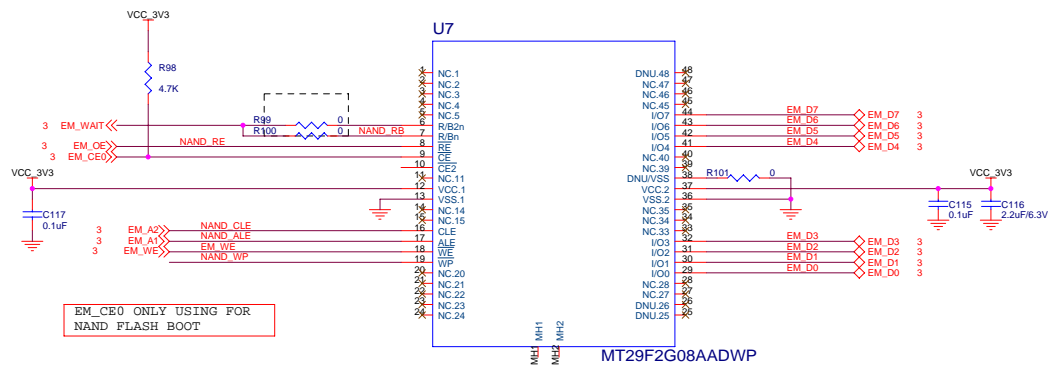


LEOPARD IMAGING INC		
Title: LeopardBoard 368		
Page Contents: DM365 POWER		
Size: B	DWG NO	Revision: 1.5
Date: Sunday, January 02, 2011	Sheet 15 of	21



LEOPARD IMAGING INC		
Title: LeopardBoard 368		
Page Contents: DM365 DECOUPLING CAPACITORS		
Size: B	DWG NO	Revision: 1.5
Date: Sunday, January 02, 2011	Sheet 16 of	21





LEOPARD IMAGING INC		
Title: LeopardBoard 368		
Page Contents: NAND FLASH		
Size: B	DWG NO	Revision: 1.5
Date: Sunday, January 02, 2011	Sheet 17 of 21	

