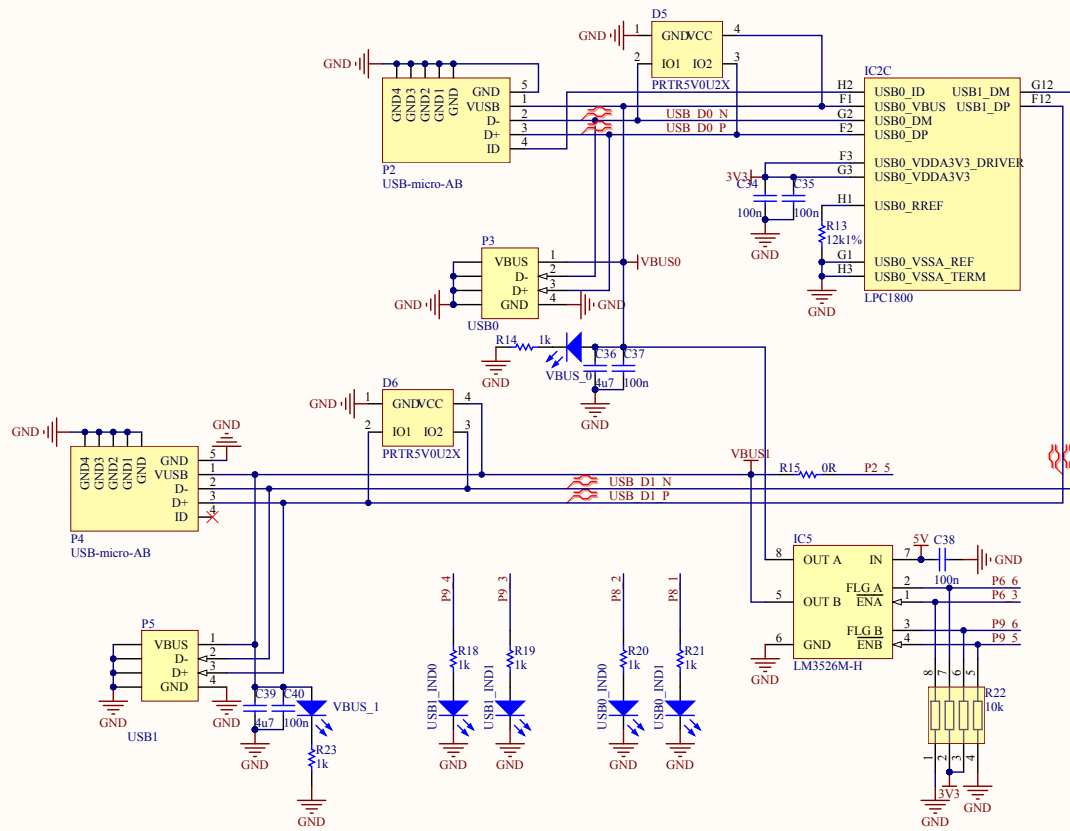


MCB1800/4300

Debug_SchDoc	Revision: 1.3
Size: A4	Sheet 2 of 12
Date: 4.5.2012	Web: www.keil.com

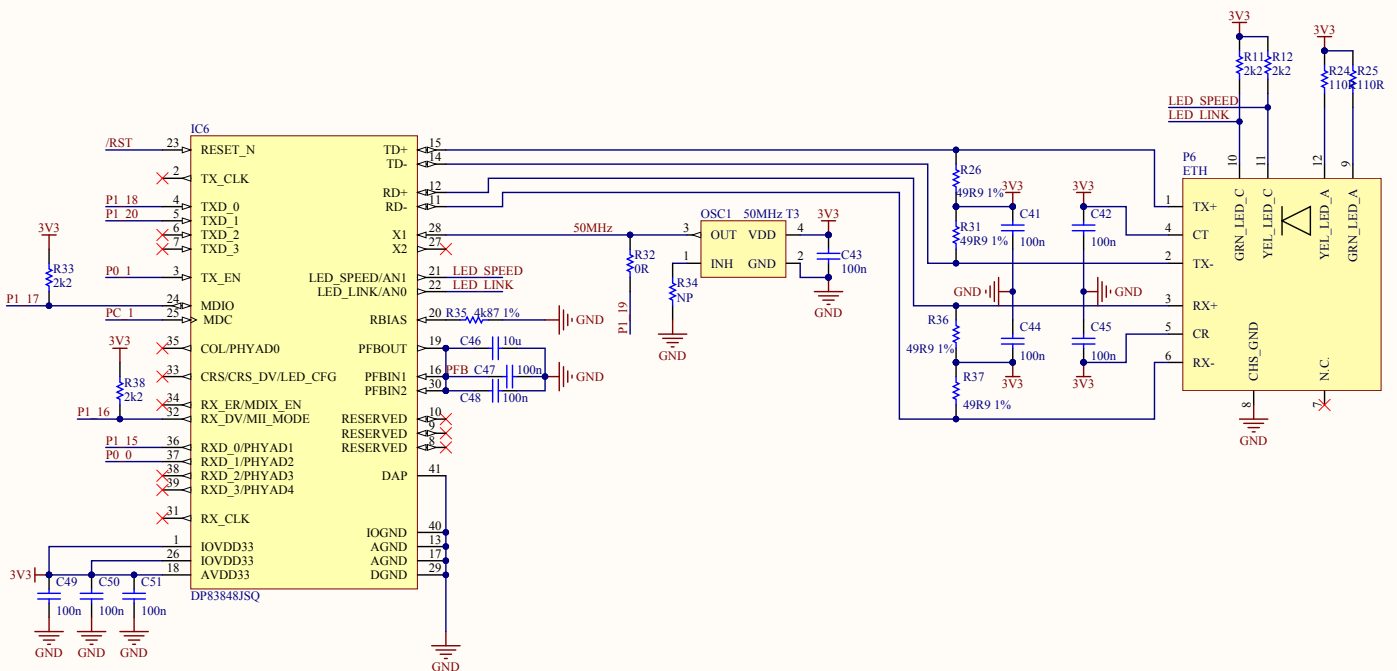
Cannot open file
C:\Projekt\Library\Logotipi\Keil-logo-RGBnvw
f.jpg



MCB1800/4300

USB_SchDoc	Revision: 1.3
Size: A4	Sheet 4 of 12
Date: 4.5.2012	Web: www.keil.com

Cannot open file
C:\Projekti\Library\Logotipi\Keil-logo-RGBnov
i.jpg

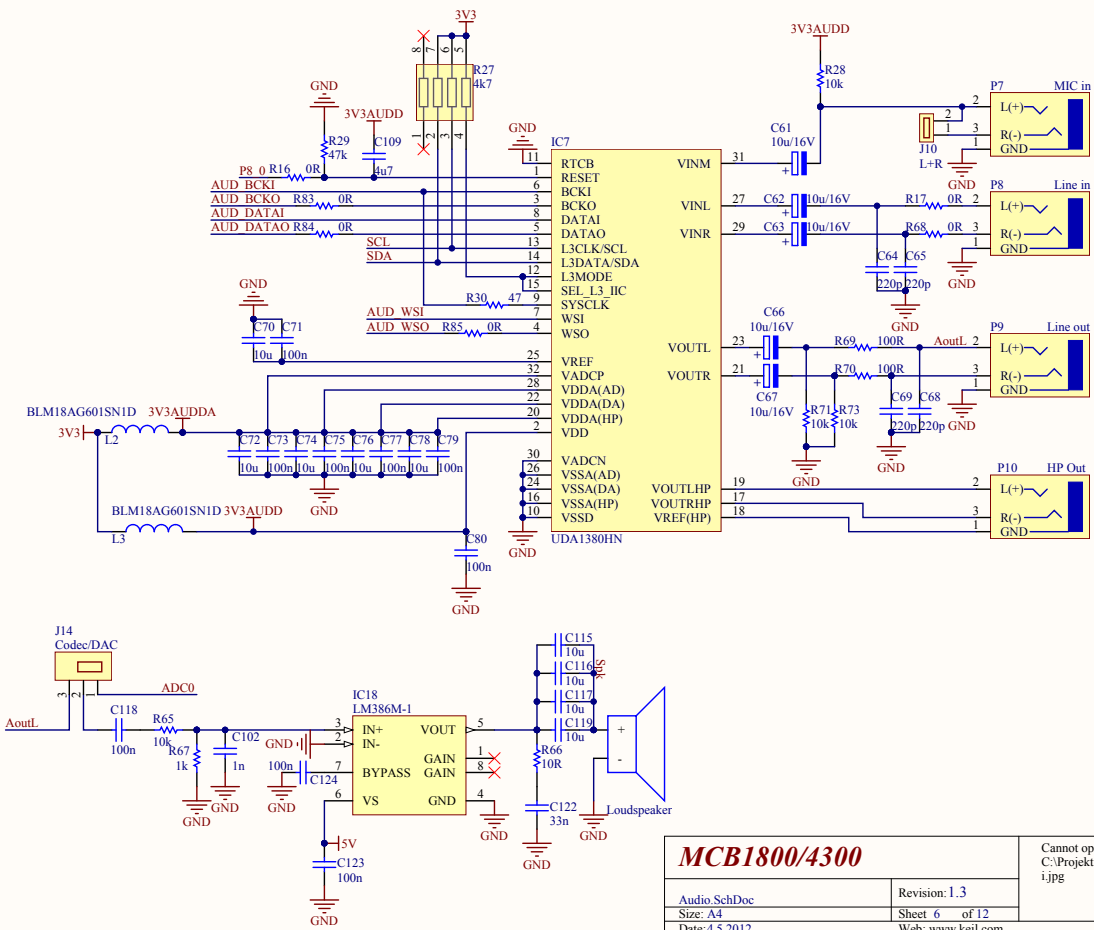


MCB1800/4300

Ethernet SchDoc
 Size: A4
 Date: 4.5.2012

Revision: 1.3
 Sheet 5 of 12
 Web: www.keil.com

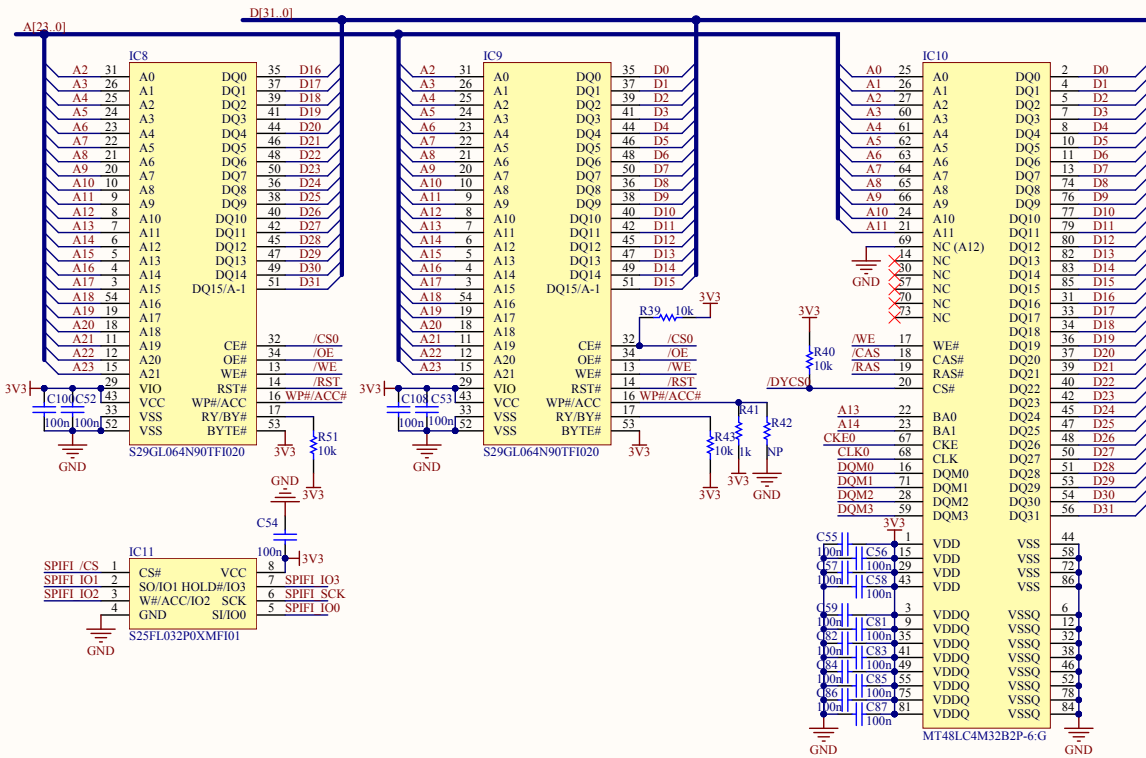
Cannot open file
 C:\Projekti\Library\Logotipi\Keil-logo-RGBnov
 i.jpg



MCB1800/4300

Audio_SchDoc	Revision: 1.3
Size: A4	Sheet 6 of 12
Date: 4.5.2012	Web: www.keil.com

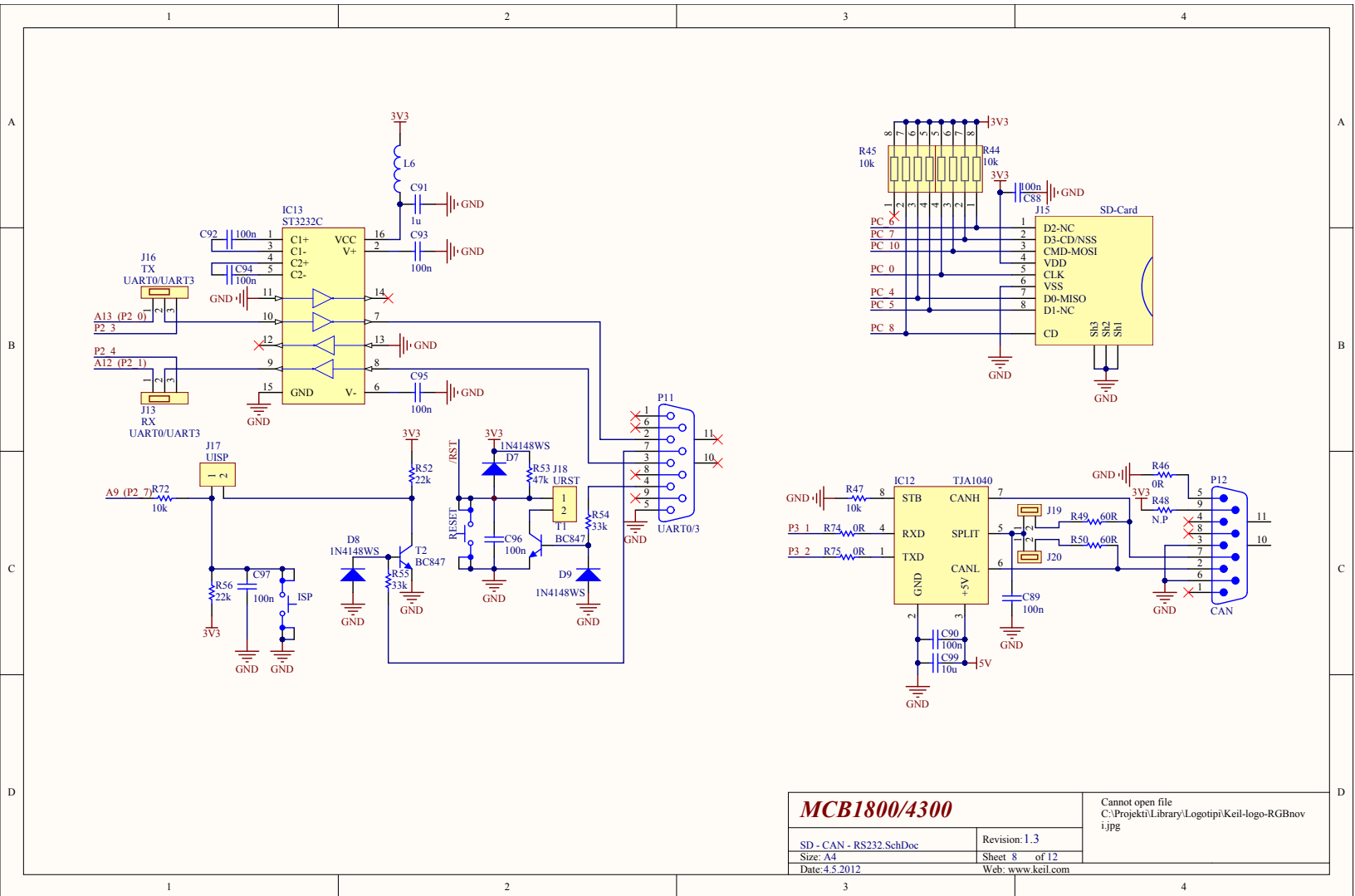
Cannot open file
C:\Projekti\Library\Logotipi\Keil-logo-RGBnov
i.jpg



MCB1800/4300

Memory SchDoc	Revision: 1.3
Size: A4	Sheet 7 of 12
Date: 4.5.2012	Web: www.keil.com

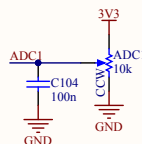
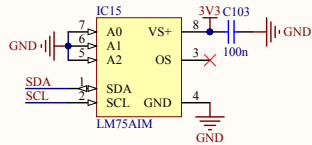
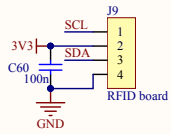
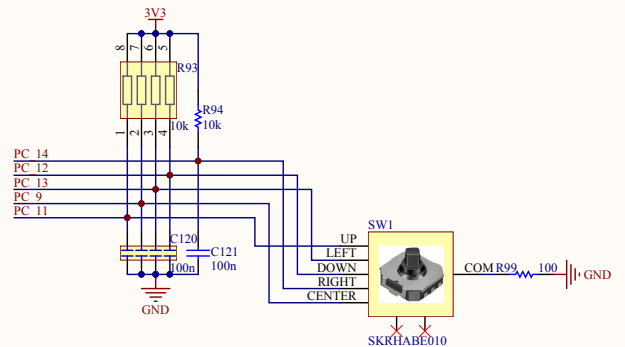
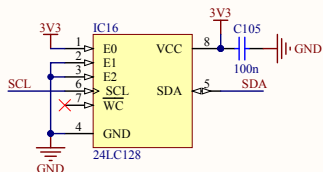
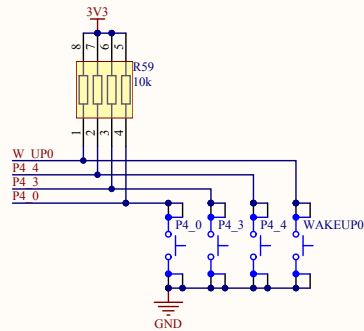
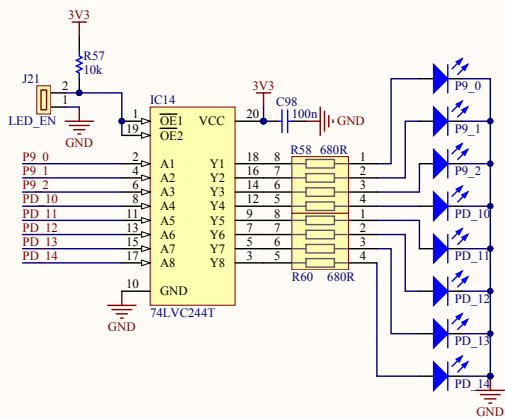
Cannot open file
C:\Projekti\Library\Logotipi\Keil-logo-RGBBnov
f.jpg



MCB1800/4300

SD - CAN - RS232_SchDoc	Revision: 1.3
Size: A4	Sheet 8 of 12
Date: 4.5.2012	Web: www.keil.com

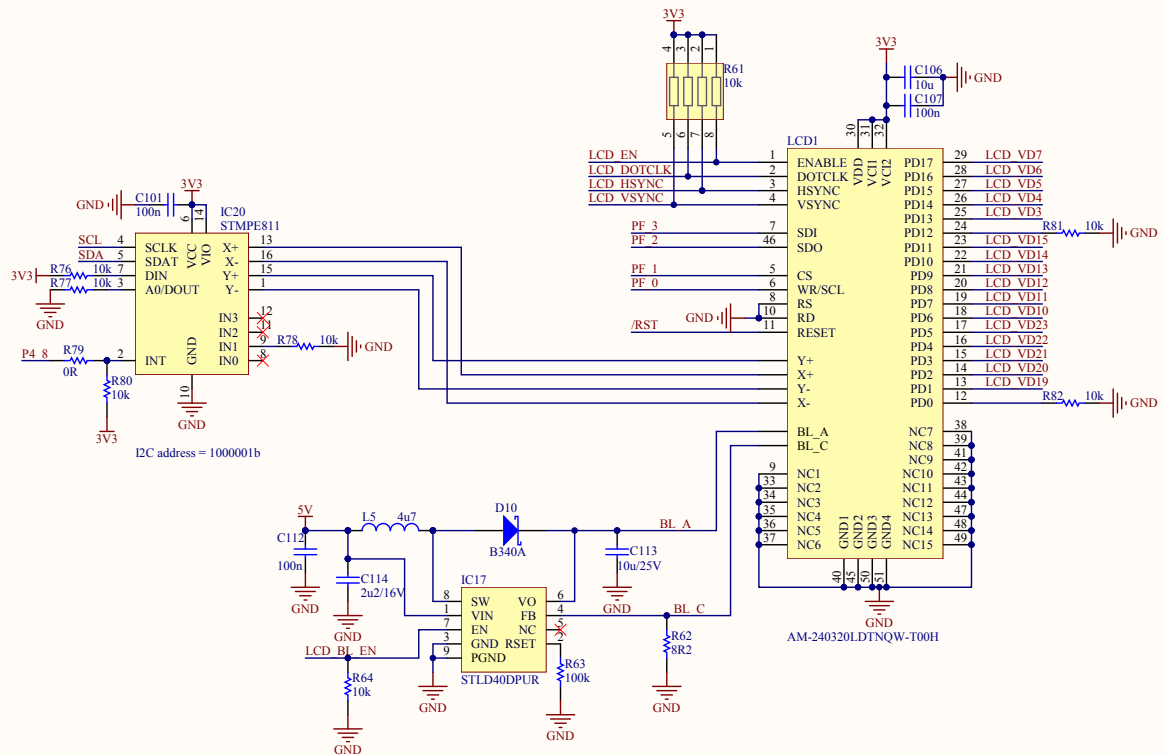
Cannot open file
C:\Projekt\Library\Logotipi\Keil-logo-RGBnov
i.jpg



MCB1800/4300

LED - SWITCH -TEMP_SchDoc	Revision: 1.3
Size: A4	Sheet 9 of 12
Date: 4.5.2012	Web: www.keil.com

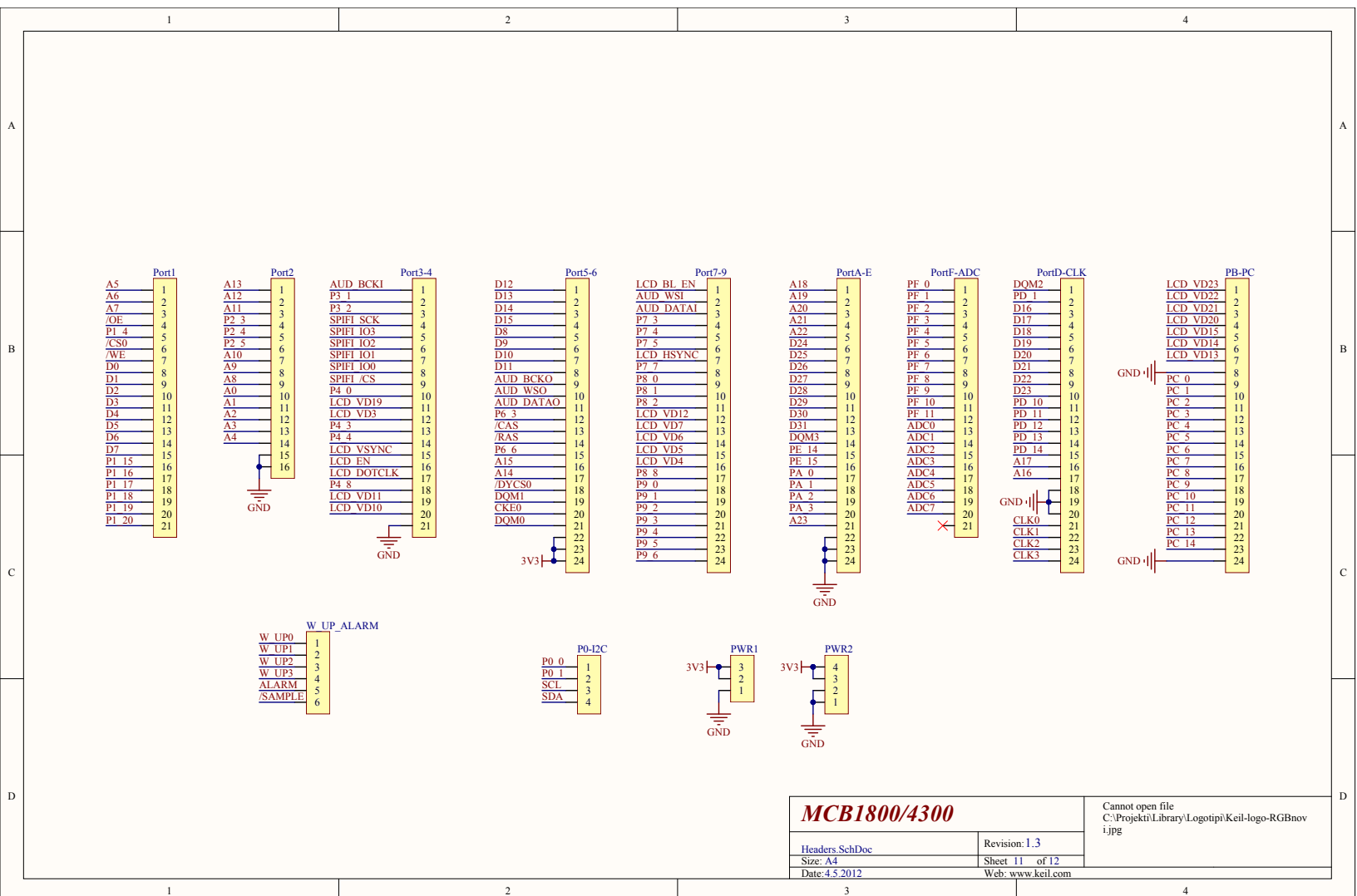
Cannot open file
C:\Projekti\Library\Logotipi\Keil-logo-RGBbnov
ijpg



MCB1800/4300

LCD SchDoc	Revision: 1.3
Size: A4	Sheet 10 of 12
Date: 4.5.2012	Web: www.keil.com

Cannot open file
C:\Projekti\Library\Logotipi\Keil-logo-RGBnov
i.jpg



MCB1800/4300

Headers.SchDoc	Revision: 1.3
Size: A4	Sheet 11 of 12
Date: 4.5.2012	Web: www.keil.com

Cannot open file
C:\Projekti\Library\Logotipi\Keil-logo-RGBnov
f.jpg